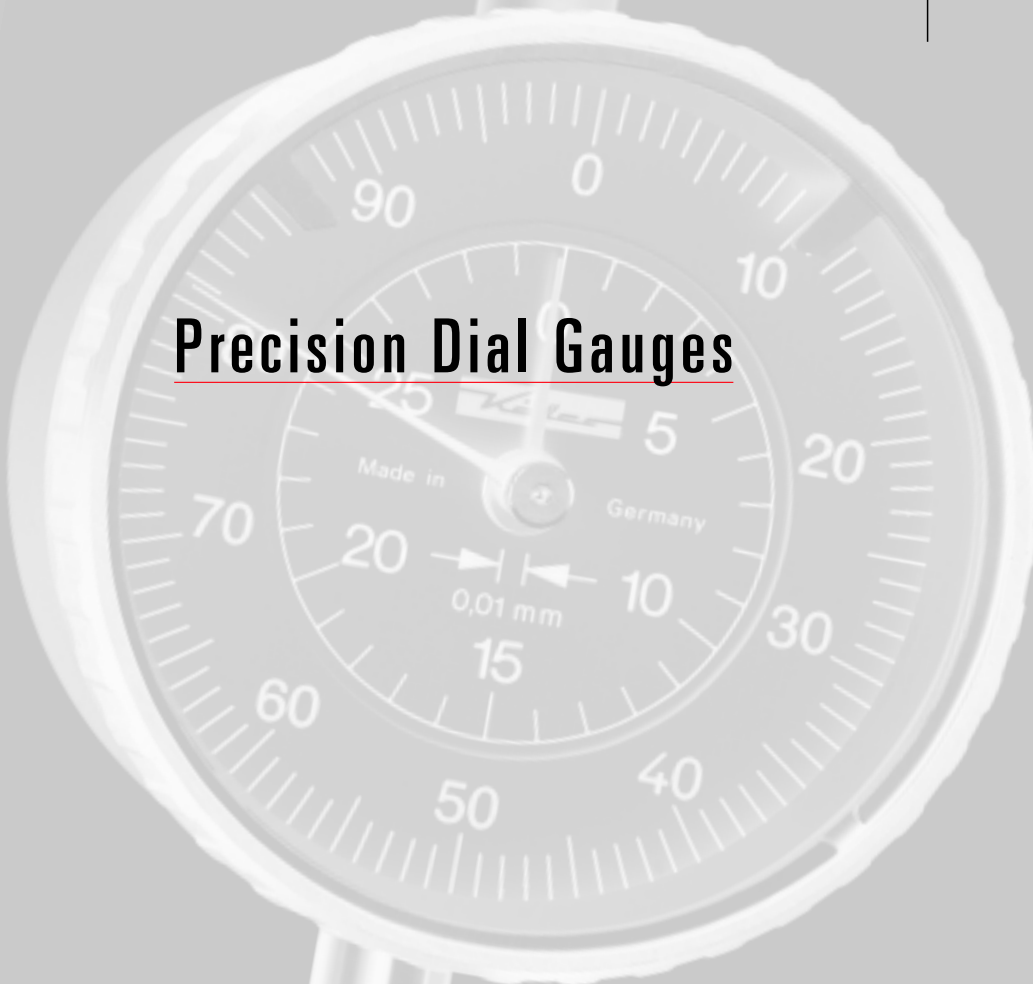




Precision Dial Gauges



© Copyright by

Käfer Messuhrenfabrik GmbH & Co. KG
POB 3380
D-78022 Villingen-Schwenningen

Factory and administration:

Hahnstraße 11

78054 Villingen-Schwenningen

Phone: +49 (0) 77 20/83 41-0

Fax: +49 (0) 77 20/2 18 68

e-mail: info@kaefer-messuhren.de

Internet: www.kaefer-messuhren.de

Käfer reserves the right to modify or change the design of products shown in this catalogue, without notice. The right includes also changes in specifications.

Edition 2003

Table of contents

Precision Dial Gauges	Pages	4 – 70
Metric Precision Dial Gauges	Pages	4 – 52
Specifications of the Technical Data	Pages	4 – 5
Precision Dial Gauges 0,01 mm / 58 mm Ø	Pages	6 – 17
Small Dial Gauges 0,01 mm	Pages	19 – 25
Precision Dial Gauges 0,01 mm / large bezel Ø	Pages	18, 26, 27
High Precision Dial Gauges 0,001 mm / 0,002 mm	Pages	28 – 36
Dial Gauges 0,1 mm	Pages	37 – 40
Dial Gauges with back plunger	Pages	41 – 42
Error Free Dial Gauges	Pages	43 – 46
Waterproof and water protected Dial Gauges	Pages	47 – 52
Dial Gauges with magnetic back	Pages	94
Inch Reading Precision Dial Gauges	Pages	53 – 66
Dial Gauges with metric stem-Ø and thread size	Pages	53 – 56
Dial Gauges to ANSI Standard	Pages	57 – 66
Additional Equipment for Dial Gauges	Pages	67 – 69
Extracts of works standards for metric Dial Gauges	Page	70
Electronic Dial Gauges	Pages	71 – 74
Comparator Gauges Compika	Pages	75 – 78
Feelers for Dial Gauges and Comparator Gauges	Pages	79 – 82
Feelers with male thread M 2,5	Pages	79 – 80
Feelers with male thread 4/48 NF	Pages	81 – 82
Dial Test Indicators Lever Type	Pages	83 – 92
Metric Reading Dial Test Indicators	Pages	83 – 88
Inch Reading Dial Test Indicators	Pages	89 – 92
Magnetic Holders and Magnetic Stands	Pages	93 – 95
Precision Measuring Tables	Page	96
Saw Setting Dial Gauges	Pages	97 – 98
Depth Gauges	Pages	99 – 102
Quickmess	Pages	103 – 104
Thickness Gauges	Pages	105 – 130
Metric Thickness Gauges	Pages	105 – 126
Specifications of the technical data	Page	105
Thickness Gauges with large frame	Pages	107 – 119
Pocket Thickness Gauges	Pages	120 – 122
Special Thickness Gauges	Pages	123 – 126
Inch Reading Thickness Gauges	Pages	127 – 130

Precision Dial Gauges

The well thought-out design, accurate components and robust construction of our Precision Dial Gauge series offer reliability, durability and long working life. The standard features that enhance the quality across our entire product range are:

- Calibrations of all Dial Gauges are traceable to national and international standards.
- The final quality control for the whole series includes visual inspection and full mechanical functions' tests.
- To eliminate lateral play and resultant errors each measuring spindle is carefully matched to its stem.
- The bezel together with the outer dial can be rotated through full 360° to set zero in any position.
- The zero position is factory set at 12 o'clock after an allowance of a minimum of 0,1 mm pre-travel from spindle end stop.
- Adjustable tolerance markers to set tolerance limits.
- Standard measuring tip with Ø 3,175 mm steel ball and M 2,5 thread. A range of special tips available as options.
- Standard stem of Ø 8 mm h 6.
- Materials and components selected specifically to ensure a long working life.

Specifications of the Technical Data of Metric Dial Gauges

Page	Type	Reading	Range per revolution	Range	Bezel-Ø	Special Feature
38	KM 5 a	0,1 mm	5 mm	5 mm	40 mm	
38	KM 10 a	0,1 mm	10 mm	10 mm	40 mm	
39	M 10 a	0,1 mm	10 mm	10 mm	58 mm	
39	M 10 b	0,1 mm	10 mm	20 mm	58 mm	
40	M 10 c	0,1 mm	10 mm	30 mm	58 mm	
40	M 10 d	0,1 mm	10 mm	50 mm	58 mm	
–	SI-9/0,1	0,1 mm	–	8 mm	58 mm	Error Free
–	GM 10/80	0,1 mm	10 mm	20 mm	80 mm	
–	GM 10/100	0,1 mm	10 mm	10 mm	100 mm	
–	GM 10/150	0,1 mm	10 mm	10 mm	150 mm	
19	MU 28	0,01 mm	0,5 mm	3,5 mm	28 mm	
19	KM 6 T	0,01 mm	0,5 mm	3 mm	32 mm	
20	KM 4 T	0,01 mm	0,5 mm	3 mm	40 mm	
22	KM 4 TOP	0,01 mm	0,5 mm	3 mm	40 mm	
–	KM 4 X	0,01 mm	0,5 mm	3 mm	40 mm	
24	KM 4 S	0,01 mm	0,5 mm	3 mm	40 mm	Shockproof
23	KM 4 TOP ,S'	0,01 mm	0,5 mm	3 mm	40 mm	Shockproof
–	KM 4 XS	0,01 mm	0,5 mm	3 mm	40 mm	Shockproof
21	KM 4/5 T	0,01 mm	0,5 mm	5 mm	40 mm	
22	KM 4/5 TOP	0,01 mm	0,5 mm	5 mm	40 mm	
–	KM 4/5 X	0,01 mm	0,5 mm	5 mm	40 mm	
25	KM 4/5 S	0,01 mm	0,5 mm	5 mm	40 mm	Shockproof
23	KM 4/5 TOP ,S'	0,01 mm	0,5 mm	5 mm	40 mm	Shockproof
–	KM 4/5 XS	0,01 mm	0,5 mm	5 mm	40 mm	Shockproof
41	KM 4 R	0,01 mm	0,5 mm	3 mm	40 mm	Back Plunger
41	KM 4/5 R	0,01 mm	0,5 mm	5 mm	40 mm	Back Plunger
44	SI-45	0,01 mm	–	0,4 mm	40 mm	Error Free
–	SI-45 W	0,01 mm	–	0,4 mm	44,5 mm	Error Free
44	SI-45/0,8	0,01 mm	–	0,8 mm	40 mm	Error Free
48	KM 4 SW	0,01 mm	0,5 mm	3 mm	44,5 mm	Waterproof
48	KM 4/5 SW	0,01 mm	0,5 mm	5 mm	44,5 mm	Waterproof
–	KM 4 S wa	0,01 mm	0,5 mm	3 mm	40 mm	Water Protected
94	KM 4 T Magnet	0,01 mm	0,5 mm	3 mm	40 mm	Magnetic Back
6	M 2 T	0,01 mm	1 mm	10 mm	58 mm	
7	M 2 TK	0,01 mm	1 mm	10 mm	58 mm	Concentric Hands
8	M 2 TOP	0,01 mm	1 mm	10 mm	58 mm	
9	M 2 X	0,01 mm	1 mm	10 mm	58 mm	
11	M 2 S	0,01 mm	1 mm	10 mm	58 mm	Fine adjustment of the hand
10	M 2 SN	0,01 mm	1 mm	10 mm	58 mm	Shockproof
12	M 2 TOP ,S'	0,01 mm	1 mm	10 mm	58 mm	Shockproof
12	M 2 XS	0,01 mm	1 mm	10 mm	58 mm	Shockproof

Precision Dial Gauges

Specifications of the Technical Data of Metric Dial Gauges

Page	Type	Reading	Range per revolution	Range	Bezel-Ø	Special Feature
13	M 3 T	0,01 mm	0,5 mm	5 mm	58 mm	
13	M 3 S	0,01 mm	0,5 mm	5 mm	58 mm	Shockproof
14	M 2/30 T	0,01 mm	1 mm	30 mm	58 mm	
15	M 2/30 S	0,01 mm	1 mm	30 mm	58 mm	Shockproof
16	M 2/50 T	0,01 mm	1 mm	50 mm	58 mm	
16	M 2/50 S	0,01 mm	1 mm	50 mm	58 mm	Shockproof
17	M 2/80 T	0,01 mm	1 mm	80 mm	58 mm	
17	M 2/80 S	0,01 mm	1 mm	80 mm	58 mm	Shockproof
42	M 2 R	0,01 mm	1 mm	3 mm	58 mm	Back Plunger
42	M 2/5 R	0,01 mm	1 mm	5 mm	58 mm	Back Plunger
45	SI-90	0,01 mm	–	0,8 mm	58 mm	Error Free
–	SI-90 X	0,01 mm	–	0,8 mm	58 mm	Error Free
–	SI-90 R	0,01 mm	–	0,8 mm	58 mm	Error Free
51	SI-90 W	0,01 mm	–	0,8 mm	61,5 mm	Error Free
–	SI-18	0,01 mm	–	1,6 mm	58 mm	Error Free
49	M 2 SW	0,01 mm	1 mm	10 mm	61,5 mm	Waterproof
50	M 2/30 SW	0,01 mm	1 mm	30 mm	61,5 mm	Waterproof
52	M 2 S wa	0,01 mm	1 mm	10 mm	58 mm	Water Protected
94	M 2 T Magnet	0,01 mm	1 mm	10 mm	58 mm	Magnetic Back
–	GM 80 T	0,01 mm	1 mm	10 mm	80 mm	
26	GM 80 S	0,01 mm	1 mm	10 mm	80 mm	Shockproof
27	GM 80/30 T	0,01 mm	1 mm	30 mm	80 mm	
27	GM 80/50 T	0,01 mm	1 mm	50 mm	80 mm	
18	GM 80/100 T	0,01 mm	1 mm	100 mm	80 mm	
–	GM 100 T	0,01 mm	1 mm	10 mm	100 mm	
–	GM 100 S	0,01 mm	1 mm	10 mm	100 mm	Shockproof
27	GM 100/30 T	0,01 mm	1 mm	30 mm	100 mm	
27	GM 100/50 T	0,01 mm	1 mm	50 mm	100 mm	
–	GM 150 T	0,01 mm	1 mm	10 mm	150 mm	
13	M 3 a T	0,005 mm	0,5 mm	5 mm	58 mm	
13	M 3 a S	0,005 mm	0,5 mm	5 mm	58 mm	Shockproof
–	M 3 a SI	0,005 mm	–	0,4 mm	58 mm	Error Free
–	KM 500 T	0,002 mm	0,2 mm	1 mm	40 mm	
29	KM 500 S	0,002 mm	0,2 mm	1 mm	40 mm	Shockproof
–	Feinika KM 1102	0,002 mm	0,1 mm	1 mm	40 mm	Shockproof, extra accurate
–	KM 500 SW	0,002 mm	0,2 mm	1 mm	44,5 mm	Waterproof
30	FM 500 T	0,002 mm	0,2 mm	1 mm	58 mm	
–	Feinika FM 1102	0,002 mm	0,1 mm	1 mm	58 mm	Shockproof, extra accurate
–	FM 500 SI	0,002 mm	–	0,16 mm	58 mm	Error Free
–	KM 1000 T	0,001 mm	0,2 mm	1 mm	40 mm	
29	KM 1000 S	0,001 mm	0,2 mm	1 mm	40 mm	Shockproof
35	Feinika KM 1101	0,001 mm	0,1 mm	1 mm	40 mm	Shockproof, extra accurate
46	Feinika SI-914	0,001 mm	–	0,08 mm	40 mm	Error Free
–	KM 1000 S wa	0,001 mm	0,2 mm	1 mm	40 mm	Water Protected
–	Feinika KM 1101 W	0,001 mm	0,1 mm	1 mm	44,5 mm	Waterproof
30	FM 1000 T	0,001 mm	0,2 mm	1 mm	58 mm	
32	FM 1000 S	0,001 mm	0,2 mm	1 mm	58 mm	Shockproof
36	Feinika FM 1101	0,001 mm	0,1 mm	1 mm	58 mm	Shockproof, extra accurate
31	FM 1000/5 T	0,001 mm	0,2 mm	5 mm	58 mm	
33	FM 1000/5 S	0,001 mm	0,2 mm	5 mm	58 mm	Shockproof
46	Feinika SI-915	0,001 mm	–	0,08 mm	58 mm	Error Free
–	Feinika SI-918	0,001 mm	–	0,16 mm	58 mm	Error Free
–	SI-180	0,001 mm	–	0,16 mm	58 mm	Error Free
–	FM 1000 S wa	0,001 mm	0,2 mm	1 mm	58 mm	Water Protected
–	FM 1000 SW	0,001 mm	0,2 mm	1 mm	61,5 mm	Waterproof
–	Feinika FM 1101 W	0,001 mm	0,1 mm	1 mm	61,5 mm	Waterproof
–	FM 1000/5 SW	0,001 mm	0,2 mm	5 mm	61,5 mm	Waterproof
–	FM 1000/80 S	0,001 mm	0,2 mm	1 mm	80 mm	Shockproof
–	FM 1000/80-5 S	0,001 mm	0,2 mm	5 mm	80 mm	Shockproof

Dial Gauge M 2 T

A well thought-out design, the use of high-quality components and materials as well as the precision engineered mechanism guarantee the outstanding quality of the Precision Dial Gauge M 2 T.

All details of this Dial Gauge conform to DIN 878. This applies not only to the outside dimensions but also to allowed tolerances, the measuring pressure and the measuring force reversal range.

Spindle and stem are made of resistant stainless steel.



Precision Dial Gauge M 2 T

Reading	0,01 mm
Range	10 mm
Range per revolution	1 mm
Bezel-Ø	58 mm
Stem-Ø	8 h 6
Dimensions and accuracy according to	DIN 878
Spindle	lapped
Dimensioned drawing	page 7

Optionally, the Dial Gauge M 2 T is also available with special fittings:

- **Dial Gauge M 2 T**
with fixing screw for the bezel
- **Dial Gauge M 2 T**
with lifting device
- **Dial Gauge M 2 T**
with special transmission ratio
(range per revolution = 2, 5 or 10 mm)
- **Dial Gauge M 2 T**
with counter clockwise dial reading
- **Dial Gauge M 2 T**
with balanced dial reading 0-50-0
- **Dial Gauge M 2 T**
with increased measuring force
- **Dial Gauge M 2 T**
with reduced measuring force
- **Dial Gauge M 2 T**
with reverse spring traction
- **Dial Gauge M 2 T**
with extended stem
- **Dial Gauge M 2 T**
with two stems: top and bottom

Model M 1 T is a Dial Gauge with the same technical data but with only one large hand and no revolution counter.

Dial Gauge M 2 TK

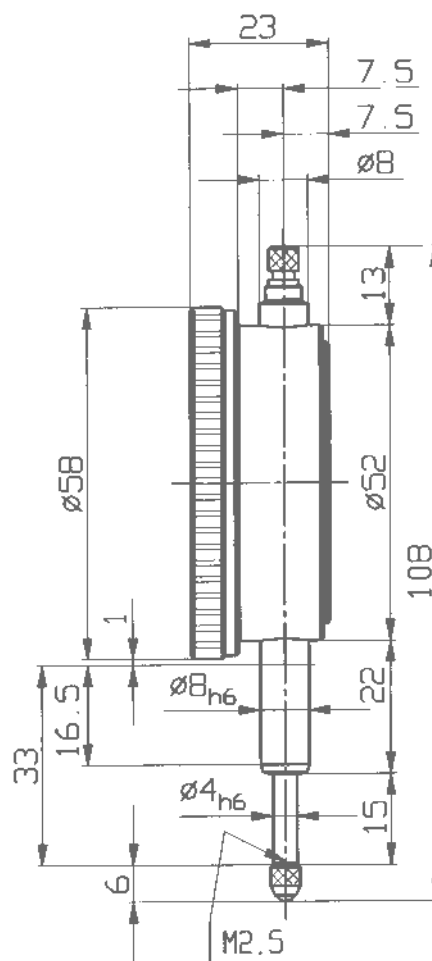
The technical features of Dial Gauge M 2 TK are the same as for model M 2 T.

Both pointers are concentrically arranged on the Dial Gauge M 2 TK. This allows particularly clear reading.

If desired, this Dial Gauge can also be supplied in a shockproof version.

Precision Dial Gauge M 2 TK

Reading	0,01 mm
Range	10 mm
Range per revolution	1 mm
Bezel-Ø	58 mm
Stem-Ø	8 h 6
Dimensions and accuracy according to	DIN 878
Spindle	lapped
Dimensioned drawing	page 7



Dial Gauge M 2 TOP

D.B.P. No. 36 43 200

We hold German patent no. 36 43 200 for TOP series Dial Gauges.

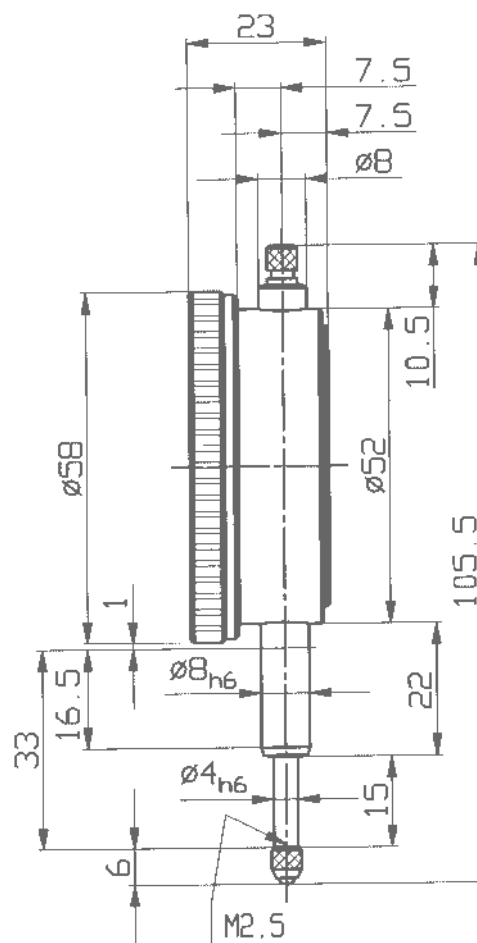
New technological production methods enable us to market it at an astonishingly low price.

All details of this Dial Gauge conform to DIN 878. This applies not only to the dimensions but also to allowed tolerances.

Spindle and stem are made of resistant stainless steel.

Precision Dial Gauge M 2 TOP

Reading	0,01 mm
Range	10 mm
Range per revolution	1 mm
Bezel-Ø	58 mm
Stem-Ø	8 h 6
Dimensions and accuracy according to	DIN 878
Spindle	lapped
Dimensioned drawing	page 8



Dial Gauge M 2 X

Enabled by the use of a polyamide quality injection-moulded casing we can offer the Dial Gauge M 2 X having very low weight.

The successful design of the M 2 X Dial Gauge offers high precision at a low price.

All details of this Dial Gauge conform to DIN 878. This applies not only to the dimensions but also to allowed tolerances

Spindle and stem are made of stainless steel.

Precision Dial Gauge M 2 X	
Reading	0,01 mm
Range	10 mm
Range per revolution	1 mm
Bezel-Ø	58 mm
Stem-Ø	8 h 6
Dimensions and accuracy according to	DIN 878
Spindle	lapped
Dimensioned drawing	page 12



Thanks to an appropriate combination of quality injection-moulded parts and standard metal parts, we were able to create a new design of Dial Gauges.

The metal gear elements are inserted by simple means into two injection moulded parts. This substitutes for the conventional mechanism.

This nearly 20 year old design, protected by German Federal Patent, has proved itself on the market. Despite several improvements the basic concept has remained unchanged. Series 'X' Dial Gauges have become a trademark of our competence in the manufacture of Dial Gauges.

Dial Gauge M 2 SN

shockproof

With this shockproof series, a product of our extensive design expertise, we offer an accurate, reliable and long-lasting Dial Gauge.

A gear rack sleeve covering the length of the spindle is arranged and sprung in such a way that the shocks against the measuring insert are not transferred to the gauge movement. The Dial Gauge is robust in operation. Its precision is maintained with practically no limitations.

Spindle and stem are made of resistant stainless steel.



Precision Dial Gauge M 2 SN shockproof

Reading	0,01 mm
Range	10 mm
Range per revolution	1 mm
Bezel-Ø	58 mm
Stem-Ø	8 h 6
Dimensions and accuracy according to	DIN 878
Spindle	lapped
Dimensioned drawing	page 11

Optionally, the Dial Gauge M 2 SN is also available with special fittings:

- **Dial Gauge M 2 SN**
with fixing screw for the bezel
- **Dial Gauge M 2 SN**
with lifting bushing instead of fixed bushing
- **Dial Gauge M 2 SN**
with concentric revolution counter instead of small revolution counter
- **Dial Gauge M 2 SN**
with special transmission ratio
(range per revolution = 2, 5 or 10 mm)
- **Dial Gauge M 2 SN**
with wire release for easy spindle lifting
- **Dial Gauge M 2 SN**
with counter clockwise dial reading
- **Dial Gauge M 2 SN**
with balanced dial reading 0-50-0
- **Dial Gauge M 2 SN**
with increased measuring force
- **Dial Gauge M 2 SN**
with reduced measuring force
- **Dial Gauge M 2 SN**
with reverse spring traction
- **Dial Gauge M 2 SN**
with extended stem

Dial Gauge M 2 S

with fine adjustment of the pointer, shockproof

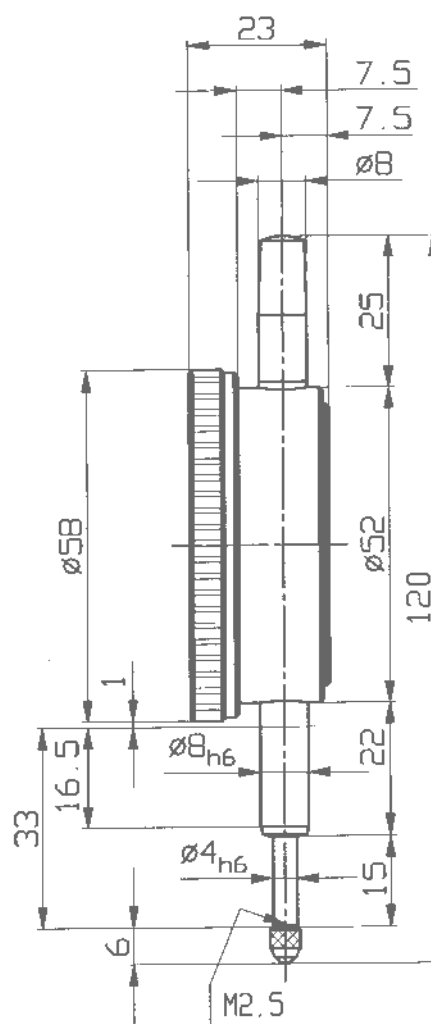
The technical features of Dial Gauge M 2 S are the same as for model M 2 SN.

As additional feature this Dial Gauge offers fine adjustment of the pointer. By simply moving the knurled screw at the top of the Dial Gauge the large hand can be set to the required position and without turning the bezel and the outer dial the Dial Gauge can be easily zeroed.

Removal of the black protective sleeve allows access to the knurled screw.

Precision Dial Gauge M 2 S shockproof

Reading	0,01 mm
Range	10 mm
Range per revolution	1 mm
Bezel-Ø	58 mm
Stem-Ø	8 h 6
Dimensions and accuracy according to	DIN 878
Spindle	lapped
Dimensioned drawing	page 11



Dial Gauge M 2 TOP ,S'

shockproof, D.B.P. No. 36 43 200

Except of the additional shockproof system all technical features of the Dial Gauge M 2 TOP ,S' are the same as for the M 2 TOP Dial Gauge on page 8 of this catalogue. Effective impact protection protects the Dial Gauge M 2 TOP ,S' even from hard impacts on the spindle, thereby reducing the risk of damage to the teeth.

Spindle and stem are made of resistant stainless steel.

Precision Dial Gauge M 2 TOP ,S' shockproof	
Reading	0,01 mm
Range	10 mm
Range per revolution	1 mm
Bezel-Ø	58 mm
Stem-Ø	8 h 6
Dimensions and accuracy according to	DIN 878
Spindle	lapped
Dimensioned drawing	page 8



Dial Gauge M 2 XS

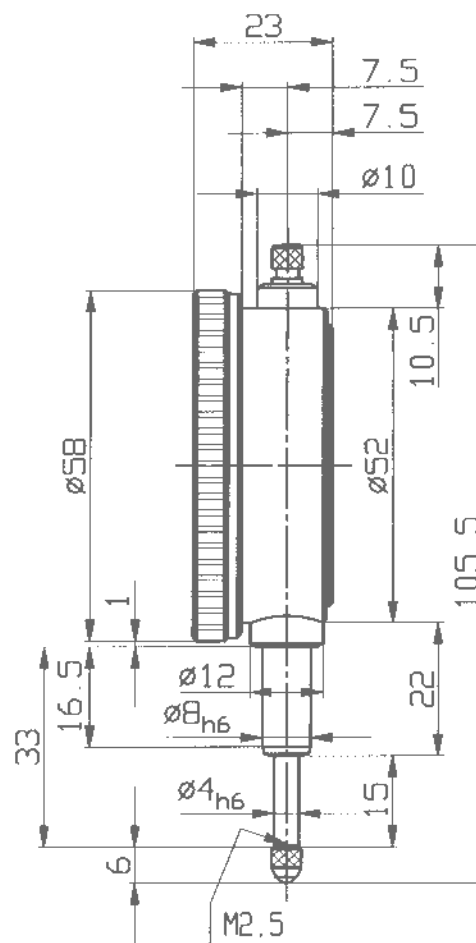
shockproof

The Dial Gauge M 2 XS is another shockproof version. Its additional technical data are the same as for model M 2 X on page 9 of this catalogue.

All details of this Dial Gauge conform to DIN 878. This applies not only to the dimensions but also to allowed tolerances.

Spindle and stem are made of resistant stainless steel.

Precision Dial Gauge M 2 XS shockproof	
Reading	0,01 mm
Range	10 mm
Range per revolution	1 mm
Bezel-Ø	58 mm
Stem-Ø	8 h 6
Dimensions and accuracy according to	DIN 878
Spindle	lapped
Dimensioned drawing	page 12



Dial Gauge M 3 S

shockproof

Due to their effective shockproof system these Dial Gauges have an exceptionally long service life. A gear rack sleeve covering the length of the spindle is arranged and sprung in such a way that shocks against the measuring insert are not transferred to the movement. The Dial Gauges are robust in operation. Their precision is maintained with practically no limitations.

Our models M 3 T and M 3 a T have exactly the same technical data, but are not shockproof.

Spindle and stem are made of resistant stainless steel.

Precision Dial Gauge M 3 S shockproof	
Reading	0,01 mm
Range	5 mm
Range per revolution	0,5 mm
Bezel-Ø	58 mm
Stem-Ø	8 h 6
Dimensions and accuracy according to	DIN 878
Spindle	lapped
Dimensioned drawing	same as FM 1000 S on page 32

Dial Gauge M 3 a S

shockproof

Precision Dial Gauge M 3 a S shockproof	
Reading	0,005 mm
Range	5 mm
Range per revolution	0,5 mm
Bezel-Ø	58 mm
Stem-Ø	8 h 6
Dimensions and accuracy according to	DIN 878
Spindle	lapped
Dimensioned drawing	same as FM 1000 S on page 32



Dial Gauge M 2/30 T

The concentric millimetre pointer allows easy and safe reading of this Dial Gauge. The carefully thought-out design, the use of selected components and materials as well as the movement perfected by precision engineering guarantee reliable measuring results and a long service life of the Precision Dial Gauge M 2/30 T. The essential parts of the movement are jewelled.

Spindle and stem are made of resistant stainless steel.



Precision Dial Gauge M 2/30 T

Reading	0,01 mm
Range	30 mm
Range per revolution	1 mm
Bezel-Ø	58 mm
Stem-Ø	8 h 6
Accuracy	
according to works standard	1.0200.9.0014, edition 2000
Spindle	lapped
Dimensioned drawing	page 15

If desired, the Dial Gauge M 2/30 T is also available with special fittings:

- **Dial Gauge M 2/30 T**
with fixing screw for the bezel
- **Dial Gauge M 2/30 T**
with lifting device at the back
- **Dial Gauge M 2/30 T**
with special transmission ratio
(range per revolution = 25 or 30 mm)
- **Dial Gauge M 2/30 T**
with counter clockwise dial reading
- **Dial Gauge M 2/30 T**
with balanced dial reading 0-50-0
- **Dial Gauge M 2/30 T**
with increased measuring force
- **Dial Gauge M 2/30 T**
with reduced measuring force
- **Dial Gauge M 2/30 T**
with reverse spring traction
- **Dial Gauge M 2/30 T**
with two stems: top and bottom
- **Dial Gauge M 2/30 T**
with extended stem

We can offer an optional type of Dial Gauge with exactly the same technical data but with a range of 20 mm: **Model M 2/20 T**.

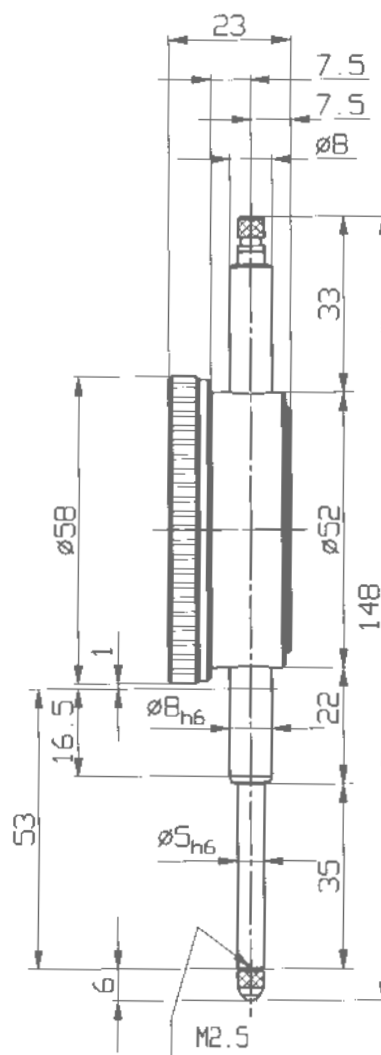
Dial Gauge M 2/30 S

Except of the additional shockproof system all technical features of the Dial Gauge M 2/30 S are the same as for the M 2/30 T Dial Gauge on page 14 of this catalogue. Effective impact protection protects the Dial Gauge M 2/30 S even from hard impacts on the spindle, thereby reducing the risk of damage to the teeth.

Spindle and stem are made of resistant stainless steel.

Precision Dial Gauge M 2/30 S shockproof

Reading	0,01 mm
Range	30 mm
Range per revolution	1 mm
Bezel-Ø	58 mm
Stem-Ø	8 h 6
Accuracy	
according to works standard	1.0200.9.0014, edition 2000
Spindle	lapped
Dimensioned drawing	page 15



Dial Gauge M 2/50 T

The concentric millimetre pointer allows easy and safe reading of these Dial Gauges. The essential parts of the movement are jewelled.

An effective shockproofed gear protects the Dial Gauge M 2/50 S even from hard shocks on the spindle, therefore reducing the risk of damage to its teeth.

Spindle and stem are made of resistant stainless steel.

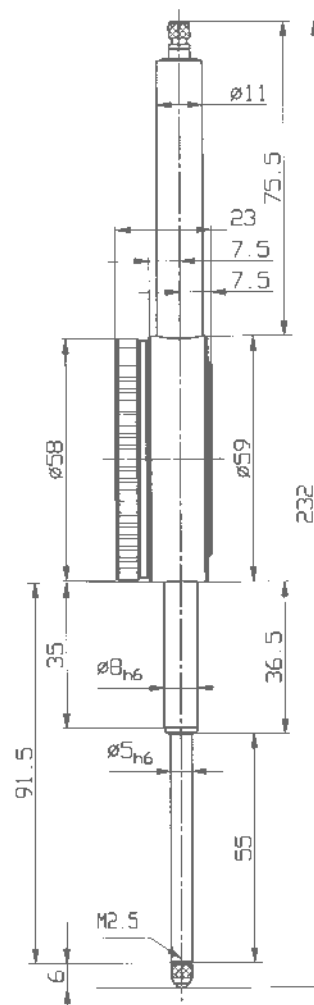
Precision Dial Gauge M 2/50 T	
Reading	0,01 mm
Range	50 mm
Range per revolution	1 mm
Bezel-Ø	58 mm
Stem-Ø	8 h 6
Accuracy	
according to works standard	1.0200.9.0002, edition 3/2000
Spindle	lapped
Dimensioned drawing	page 16



Dial Gauge M 2/50 S

shockproof

Precision Dial Gauge M 2/50 S shockproof	
Reading	0,01 mm
Range	50 mm
Range per revolution	1 mm
Bezel-Ø	58 mm
Stem-Ø	8 h 6
Accuracy	
according to works standard	1.0200.9.0002, edition 3/2000
Spindle	lapped
Dimensioned drawing	page 16



Dial Gauge M 2/80 T

Dial Gauge M 2/80 S

shockproof



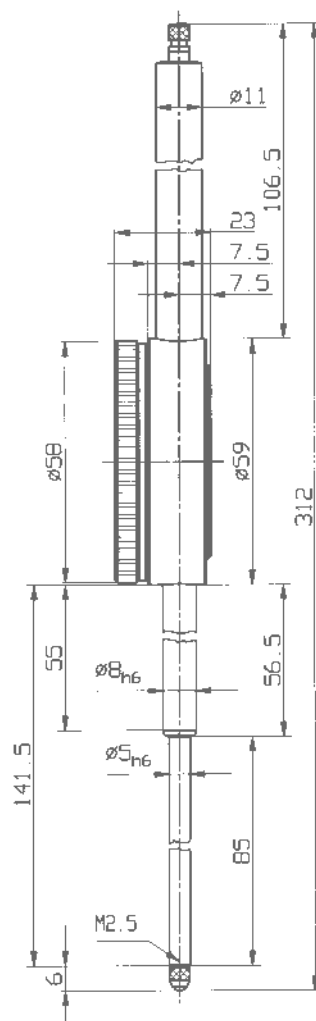
The concentric millimetre pointer allows easy and safe reading of these Dial Gauges. The essential parts of the movement are jewelled.

An effective shockproofed gear protects the Dial Gauge M 2/80 S even from hard shocks on the spindle, therefore reducing the risk of damage to its teeth.

Spindle and stem are made of resistant stainless steel.

Precision Dial Gauge M 2/80 T	
Reading	0,01 mm
Range	80 mm
Range per revolution	1 mm
Bezel-Ø	58 mm
Stem-Ø	8 h 6
Accuracy	
according to works standard	1.0200.9.0002, edition 3/2000
Spindle	lapped
Dimensioned drawing	page 17

Precision Dial Gauge M 2/80 S shockproof	
Reading	0,01 mm
Range	80 mm
Range per revolution	1 mm
Bezel-Ø	58 mm
Stem-Ø	8 h 6
Accuracy	
according to works standard	1.0200.9.0002, edition 3/2000
Spindle	lapped
Dimensioned drawing	page 17



Dial Gauge GM 80/100 T

The concentric millimetre pointer allows easy and safe reading of the Dial Gauge.

In comparison with Dial Gauges having smaller measuring ranges the type GM 80/100 T has a measuring spindle \varnothing of 6 mm and a stem \varnothing of 10 mm. These features increase the stability and durability of the Dial Gauge.

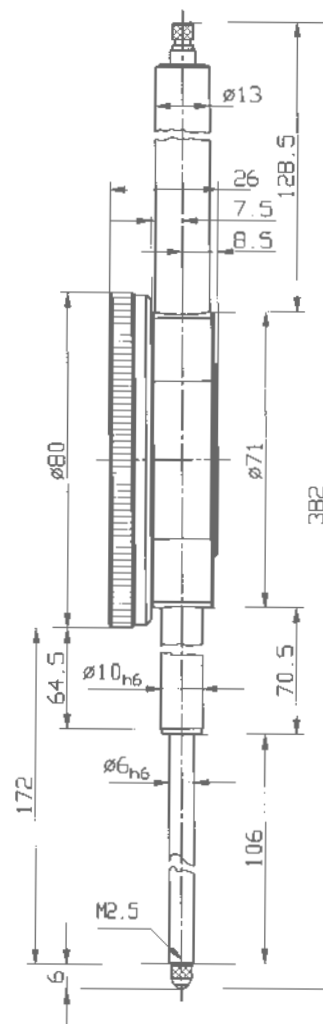
Dial Gauges with 100 mm measuring range are also available in the following versions:

- bezel- \varnothing 58 mm (type M 2/100 T)
- bezel- \varnothing 100 mm (type GM 100/100 T)
- shockproof (type GM 80/100 S)
- with reading of 0,1 mm (type GM 10/100 f)



Precision Dial Gauge GM 80/100 T

Reading	0,01 mm
Range	100 mm
Range per revolution	1 mm
Bezel- \varnothing	80 mm
Stem- \varnothing	10 h 6
Accuracy	
according to works standard	1.0200.9.0002, edition 3/2000
Spindle	lapped
Dimensioned drawing	page 18



Small Dial Gauge MU 28

The Dial Gauge MU 28 is the smallest model of our broad manufacturing programme. Its extremely small overall dimensions require a special adjustment procedure according to works standards.

Spindles and stems of the Small Dial Gauges MU 28 and KM 6 T are made of resistant stainless steel.

Small Dial Gauge MU 28	
Reading	0,01 mm
Range	3,5 mm
Range per revolution	0,5 mm
Bezel-Ø	28 mm
Stem-Ø	8 h 6
Accuracy according to works standard	0.0200.9.0012, edition 1/1996
Spindle	lapped
Dimensioned drawing	page 19

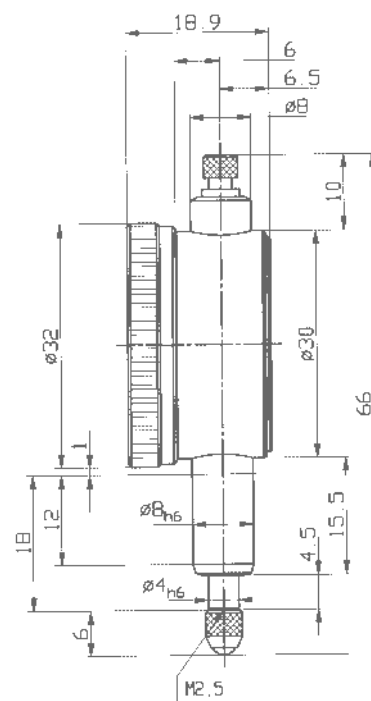
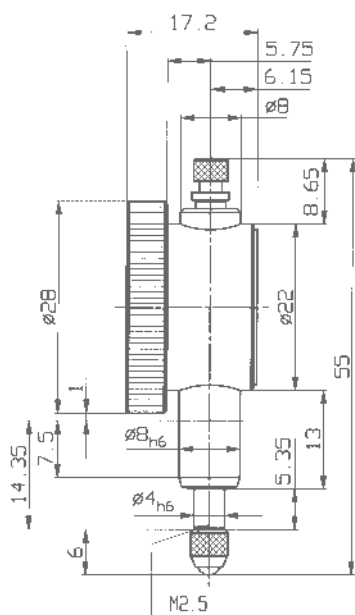
Small Dial Gauge KM 6 T

All allowed tolerances of the Small Dial Gauge KM 6 T conform to DIN 878-D.

If desired, the Small Dial Gauge KM 6 T is also available with special fittings:

- KM 6 T with lifting device
- KM 6 T with counter clockwise dial reading
- KM 6 T with balanced dial reading 0-25-0
- KM 6 T with increased or reduced measuring force

Small Dial Gauge KM 6 T	
Reading	0,01 mm
Range	3 mm
Range per revolution	0,5 mm
Bezel-Ø	32 mm
Stem-Ø	8 h 6
Dimensions and accuracy according to	DIN 878
Spindle	lapped
Dimensioned drawing	page 19



Small Dial Gauge KM 4 T

Our Small Dial Gauges have 40 mm Ø bezel. As standard they have 0,5 mm travel range per revolution and 50 graduations on the dial. This offers the advantage of a clear and easily readable Dial Gauge.

Spindle and stem are made of resistant stainless steel.

Small Dial Gauge KM 4 T

Reading	0,01 mm
Range	3 mm
Range per revolution	0,5 mm
Bezel-Ø	40 mm
Stem-Ø	8 h 6
Dimensions and accuracy according to	DIN 878
Spindle	lapped
Dimensioned drawing	page 21



If desired, the Dial Gauge KM 4 T is also available with special fittings:

- **Small Dial Gauge KM 4 T**
with fixing screw for the bezel
- **Small Dial Gauge KM 4 T**
with lifting device
- **Small Dial Gauge KM 4 T**
with special transmission ratio
(range per revolution = 1 mm)
- **Small Dial Gauge KM 4 T**
with counter clockwise reading
- **Small Dial Gauge KM 4 T**
with balanced dial reading 0-25-0
- **Small Dial Gauge KM 4 T**
with increased measuring force
- **Small Dial Gauge KM 4 T**
with reduced measuring force
- **Small Dial Gauge KM 4 T**
with reverse spring traction
- **Small Dial Gauge KM 4 T**
with extended stem

Type KM 4/5 T illustrated on the opposite page can also be manufactured according to the above listed versions.

Small Dial Gauge KM 4/5 T

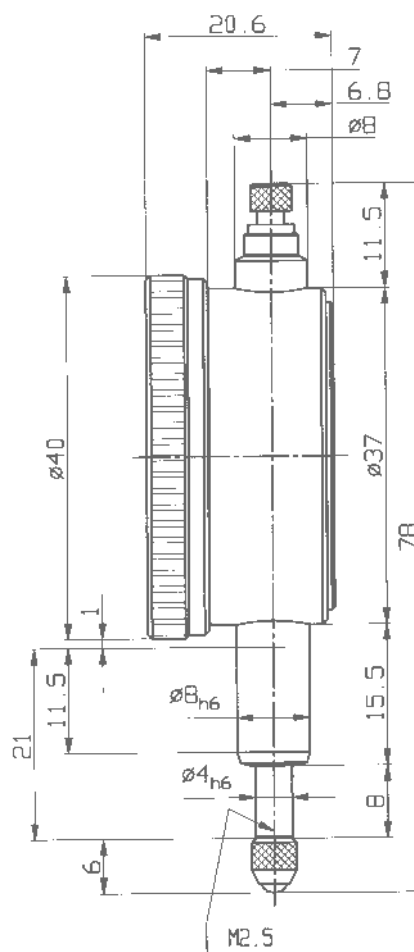


Except of the longer measuring range all technical features of Small Dial Gauge KM 4/5 T are the same as for model KM 4 T.

All details of this Small Dial Gauge conform to DIN 878. This applies not only to the outside dimensions but also to allowed tolerances, the measuring force and the measuring force reversal range.

Spindle and stem are made of resistant stainless steel.

Small Dial Gauge KM 4/5 T	
Reading	0,01 mm
Range	5 mm
Range per revolution	0,5 mm
Bezel-Ø	40 mm
Stem-Ø	8 h 6
Dimensions and accuracy according to	DIN 878
Spindle	lapped
Dimensioned drawing	page 21



Small Dial Gauges KM 4 TOP and KM 4/5 TOP

D.B.P. No. 36 43 200

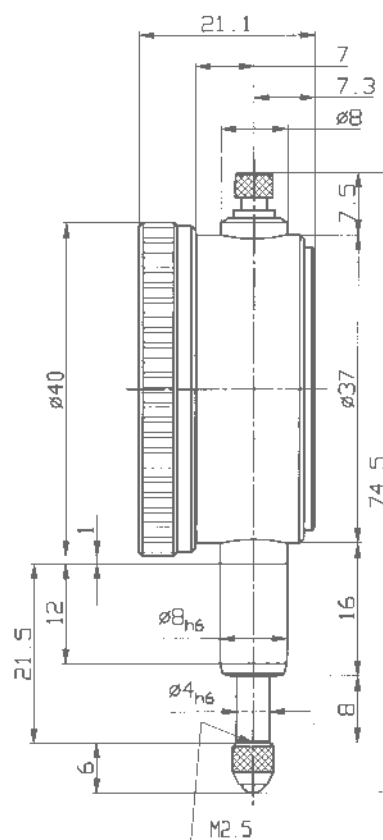
We hold German patent no. 36 43 200 for TOP series Dial Gauges.

New technological production methods enable us to market them at an astonishingly low price. All details of these Dial Gauges conform to DIN 878. This applies not only to the dimensions but also to allowed tolerances.

Spindle and stem are made of resistant stainless steel.

Small Dial Gauge KM 4 TOP	
Reading	0,01 mm
Range	3 mm
Range per revolution	0,5 mm
Bezel-Ø	40 mm
Stem-Ø	8 h 6
Dimensions and accuracy according to	DIN 878
Spindle	lapped
Dimensioned drawing	page 22

Small Dial Gauge KM 4/5 TOP	
Reading	0,01 mm
Range	5 mm
Range per revolution	0,5 mm
Bezel-Ø	40 mm
Stem-Ø	8 h 6
Dimensions and accuracy according to	DIN 878
Spindle	lapped
Dimensioned drawing	page 22



The range of Small Dial Gauges is also available as X-types.

The design features conform in this case to type M 2 X on page 9 of the catalogue.

Small Dial Gauges KM 4 TOP ,S' and KM 4/5 TOP ,S'

shockproof, D.B.P. No. 36 43 200

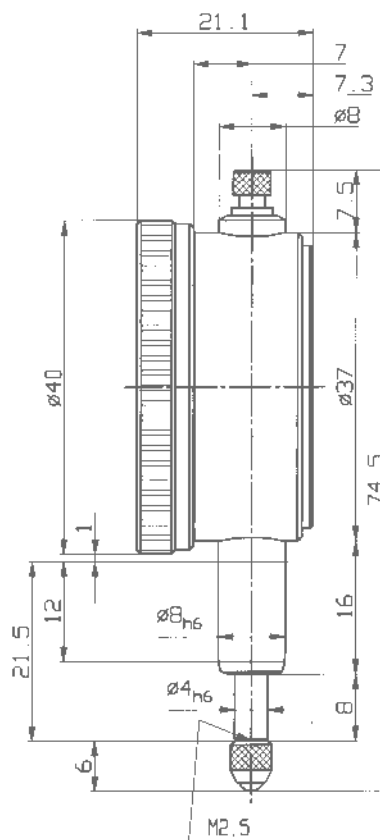
We hold German patent no. 36 43 200 for TOP series Dial Gauges. New technological production methods enable us to market them at an astonishingly low price. All details of these Dial Gauges conform to DIN 878. This applies not only to the dimensions but also to allowed tolerances.

Effective impact protection protects the Dial Gauges KM 4 TOP ,S' and KM 4/5 TOP ,S' even from hard impacts on the spindle, thereby reducing the risk of damage to the teeth.

Spindle and stem are made of resistant stainless steel.

Small Dial Gauge KM 4 TOP ,S' shockproof	
Reading	0,01 mm
Range	3 mm
Range per revolution	0,5 mm
Bezel-Ø	40 mm
Stem-Ø	8 h 6
Dimensions and accuracy according to	DIN 878
Spindle	lapped
Dimensioned drawing	page 23

Small Dial Gauge KM 4/5 TOP ,S' shockproof	
Reading	0,01 mm
Range	5 mm
Range per revolution	0,5 mm
Bezel-Ø	40 mm
Stem-Ø	8 h 6
Dimensions and accuracy according to	DIN 878
Spindle	lapped
Dimensioned drawing	page 23



Shockproof Dial Gauges are also available as X-types.

The design features conform in this case to type M 2 XS on page 12 of the catalogue.

Small Dial Gauge KM 4 S

shockproof

The high-class impact protection of the Small Dial Gauge KM 4 S results in an exceptionally long service life. A gear rack sleeve covering the length of the spindle is arranged and sprung in such a way that the shocks against the measuring insert are not transferred to the measuring gear. The Small Dial Gauge is robust in operation. Its precision is maintained with practically no limitations.

Spindle and stem are made of resistant stainless steel.



Small Dial Gauge KM 4 S shockproof

Reading	0,01 mm
Range	3 mm
Range per revolution	0,5 mm
Bezel-Ø	40 mm
Stem-Ø	8 h 6
Dimensions and accuracy according to	DIN 878
Spindle	lapped
Dimensioned drawing	same as KM 1000 S on page 29

If desired, the Dial Gauge KM 4 S is also available with special fittings:

- **Small Dial Gauge KM 4 S**
with fixing screw for the bezel
- **Small Dial Gauge KM 4 S**
with lifting device
- **Small Dial Gauge KM 4 S**
with lifting bushing instead of fixed bushing
- **Small Dial Gauge KM 4 S**
with special transmission ratio
range per revolution = 1 mm
- **Small Dial Gauge KM 4 S**
with counter clockwise reading
- **Small Dial Gauge KM 4 S**
with balanced dial reading 0-25-0
- **Small Dial Gauge KM 4 S**
with increased measuring force
- **Small Dial Gauge KM 4 S**
with reduced measuring force
- **Small Dial Gauge KM 4 S**
with extended stem
(length from casing 29,5 mm)

Type KM 4/5 S illustrated on the opposite page can also be manufactured according to the above listed versions.

Small Dial Gauge KM 4/5 S

shockproof

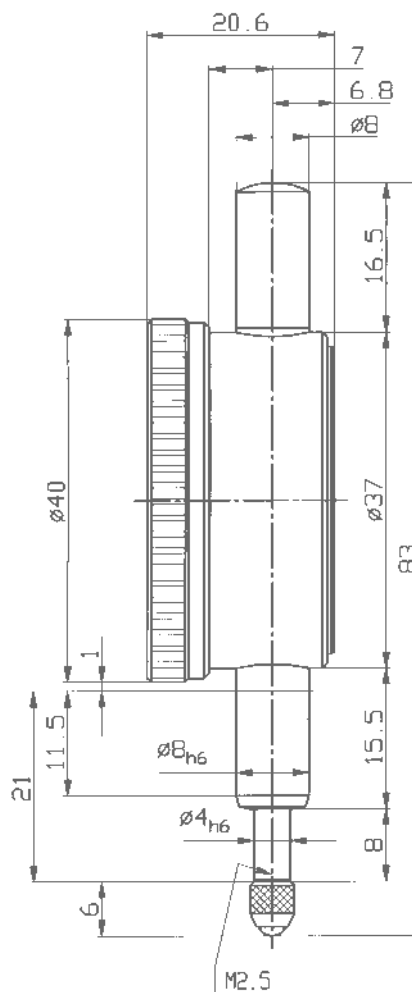
Except of the longer measuring range all technical features of the Small Dial Gauge KM 4/5 S are the same as for model KM 4 S.

All details of this Small Dial Gauge conform to DIN 878. This applies not only to the outside dimensions but also to allowed tolerances, the measuring force and the measuring force reversal range.

Spindle and stem are made of resistant stainless steel.

Small Dial Gauge KM 4/5 S shockproof

Reading	0,01 mm
Range	5 mm
Range per revolution	0,5 mm
Bezel-Ø	40 mm
Stem-Ø	8 h 6
Dimensions and accuracy according to	DIN 878
Spindle	lapped
Dimensioned drawing	page 25

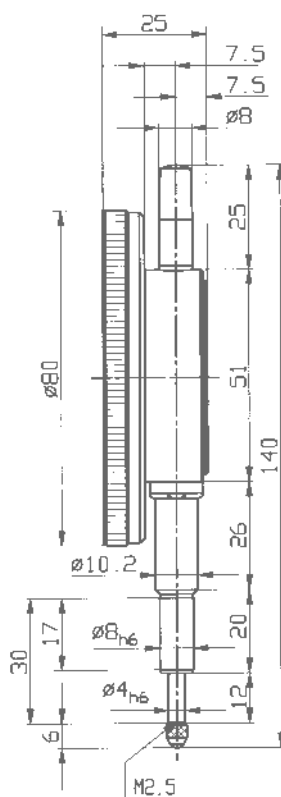


Dial Gauge GM 80 S

shockproof

The high-class impact protection of the Dial Gauge GM 80 S results in an exceptionally long service life. A gear rack sleeve covering the length of the spindle is arranged and sprung in such a way that the shocks against the measuring insert are not transferred to the measuring gear. The Dial Gauge is robust in operation. Its precision is maintained with practically no limitations.

Spindle and stem are made of resistant stainless steel.



Dial Gauge GM 80 S shockproof	
Reading	0,01 mm
Range	10 mm
Range per revolution	1 mm
Bezel-Ø	80 mm
Stem-Ø	8 h 6
Accuracy according to	DIN 878
Hysteresis	fu = 5 µm
Spindle	lapped
Dimensioned drawing	page 26

Other Dial Gauges with large bezel diameter from our production range:

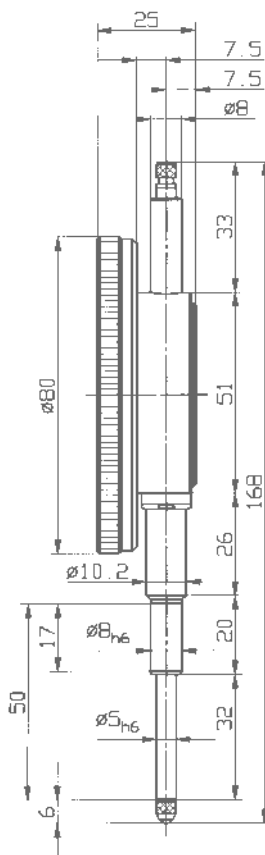
Dial Gauge GM 80 T	
Reading	0,01 mm
Range	10 mm
Range per revolution	1 mm
Bezel-Ø	80 mm
Stem-Ø	8 h 6
Accuracy according to	DIN 878
Hysteresis	fu = 5 µm
Spindle	lapped
Dimensioned drawing	page 26

Dial Gauge GM 100 T	
Reading	0,01 mm
Range	10 mm
Range per revolution	1 mm
Bezel-Ø	100 mm
Stem-Ø	8 h 6
Accuracy according to	DIN 878
Hysteresis	fu = 5 µm
Spindle	lapped
Dimensioned drawing	on request

Dial Gauge GM 100 S shockproof	
Reading	0,01 mm
Range	10 mm
Range per revolution	1 mm
Bezel-Ø	100 mm
Stem-Ø	8 h 6
Accuracy according to	DIN 878
Hysteresis	fu = 5 µm
Spindle	lapped
Dimensioned drawing	on request

Dial Gauge GM 80/30 T

The concentric millimetre pointer allows easy and safe reading of this Dial Gauge. Spindle and stem are made of resistant stainless steel.



Dial Gauge GM 80/30 T

Reading	0,01 mm
Range	30 mm
Range per revolution	1 mm
Bezel-Ø	80 mm
Stem-Ø	8 h 6
Accuracy according to works standard 1.0200.9.0014, edition 2000	
Spindle	lapped
Dimensioned drawing	page 27

Impact protected versions of the Dial Gauges described on this page are also available on request.

Other Dial Gauges with large bezel diameter from our production range:

Dial Gauge GM 80/50 T	
Reading	0,01 mm
Range	50 mm
Range per revolution	1 mm
Bezel-Ø	80 mm
Stem-Ø	8 h 6
Accuracy according to works standard 1.0200.9.0002, edition 3/2000	
Spindle	lapped
Dimensioned drawing	on request

Dial Gauge GM 100/30 T	
Reading	0,01 mm
Range	30 mm
Range per revolution	1 mm
Bezel-Ø	100 mm
Stem-Ø	8 h 6
Accuracy according to works standard 1.0200.9.0014, edition 2000	
Spindle	lapped
Dimensioned drawing	on request

Dial Gauge GM 100/50 T	
Reading	0,01 mm
Range	50 mm
Range per revolution	1mm
Bezel-Ø	100 mm
Stem-Ø	8 h 6
Accuracy according to works standard 1.0200.9.0002, edition 2000	
Spindle	lapped
Dimensioned drawing	on request

High Precision Dial Gauges

Our High Precision Dial Gauges are high-resolution gauges with 0,001 mm or 0,002 mm graduations and 0,1 mm or 0,2 mm measuring distance per pointer revolution. The high magnification gear train and high-resolution dials allow a very precise reading of the measured value.

The well thought-out design as well as the extremely precise, while robust in operation, execution of our High Precision Dial Gauges with precision gear movement guarantee for their reliability and long service life. The following quality features apply to our entire manufacturing programme:

- Highly responsive movements.
- Precisely matched measuring spindles and stems to minimise lateral play.
- All gear pivots run in high-class ceramic bearings.
- A threaded protection sleeve to prevent ingress of contaminants.
- All shockproof models contain an effective impact protection sleeve.

As standard High Precision Dial Gauges are manufactured with measuring ranges up to 5 mm. However the gear movements can accommodate ranges up to 10 mm. Please contact us if you require longer measuring ranges.

DIN 878 does not include these High Precision Dial Gauges. They are subject to a strict works standard. For the High Precision Dial Gauges with precision gear movements listed in the following table our works standard 0.0500.9.0001, edition 4/2001 applies.

Please see pages 34 – 36 for our series ‚FEINIKA‘ High Precision Dial Gauges.

Technical data for Metric High Precision Dial Gauges with gear movement

Type	Reading	Range per revolution	Range	Overtravel	Bezel-Ø	Special Feature
KM 500 T	0,002 mm	0,2 mm	1 mm	–	40 mm	
KM 500 S	0,002 mm	0,2 mm	1 mm	–	40 mm	Shockproof
KM 500 SW	0,002 mm	0,2 mm	1 mm	–	44,5 mm	Waterproof
FM 500 T	0,002 mm	0,2 mm	1 mm	–	58 mm	
FM 500 SI	0,002 mm	–	0,16 mm	5 mm	58 mm	Error free
KM 1000 T	0,001 mm	0,2 mm	1 mm	–	40 mm	
KM 1000 S	0,001 mm	0,2 mm	1 mm	–	40 mm	Shockproof
FM 1000 T	0,001 mm	0,2 mm	1 mm	–	58 mm	
FM 1000 S	0,001 mm	0,2 mm	1 mm	4 mm	58 mm	Shockproof
FM 1000/5 T	0,001 mm	0,2 mm	5 mm	–	58 mm	
FM 1000/5 S	0,001 mm	0,2 mm	5 mm	–	58 mm	Shockproof
SI-180	0,001 mm	–	0,16 mm	5 mm	58 mm	Error free
FM 1000 S wa	0,001 mm	0,2 mm	1 mm	4 mm	58 mm	Water protected
FM 1000 SW	0,001 mm	0,2 mm	1 mm	4 mm	61,5 mm	Waterproof
FM 1000/80 T	0,001 mm	0,2 mm	1 mm	–	80 mm	
FM 1000/80 S	0,001 mm	0,2 mm	1 mm	4 mm	80 mm	Shockproof
FM 1000/80-5 T	0,001 mm	0,2 mm	5 mm	–	80 mm	
FM 1000/80-5 S	0,001 mm	0,2 mm	5 mm	–	80 mm	Shockproof

Small Dial Gauge KM 500 S

shockproof

The High Precision Small Dial Gauges KM 500 S and KM 1000 S equipped with a high-class impact protection have an extremely long service life. A gear rack sleeve covering the length of the spindle is arranged and sprung in such a way that the shocks against the measuring insert are not transferred to the measuring gear. The Small Dial Gauges are robust in operation. Their precision is maintained with practically no limitations.

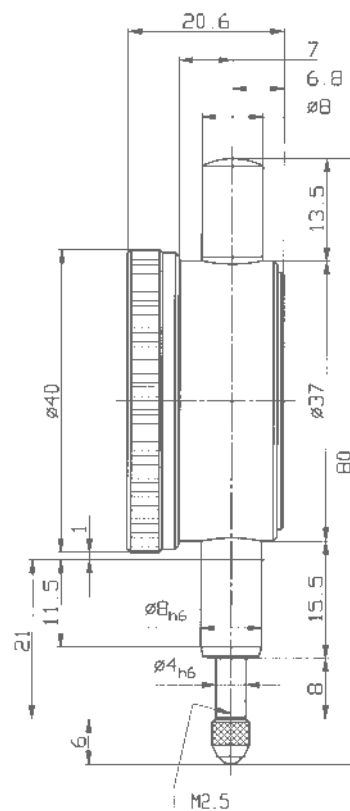
Spindle and stem are made of resistant stainless steel.

Small Dial Gauge KM 1000 S

shockproof

High Precision Dial Gauge KM 500 S shockproof	
Reading	0,002 mm
Range	1 mm
Range per revolution	0,2 mm
Bezel-Ø	40 mm
Stem-Ø	8 h 6
Accuracy	
according to works standard	0.0500.9.0001, edition 4/2001
Spindle	lapped
Dimensioned drawing	page 29

High Precision Dial Gauge KM 1000 S shockproof	
Reading	0,001 mm
Range	1 mm
Range per revolution	0,2 mm
Bezel-Ø	40 mm
Stem-Ø	8 h 6
Accuracy	
according to works standard	0.0500.9.0001, edition 4/2001
Spindle	lapped
Dimensioned drawing	page 29



Dial Gauge FM 1000 T

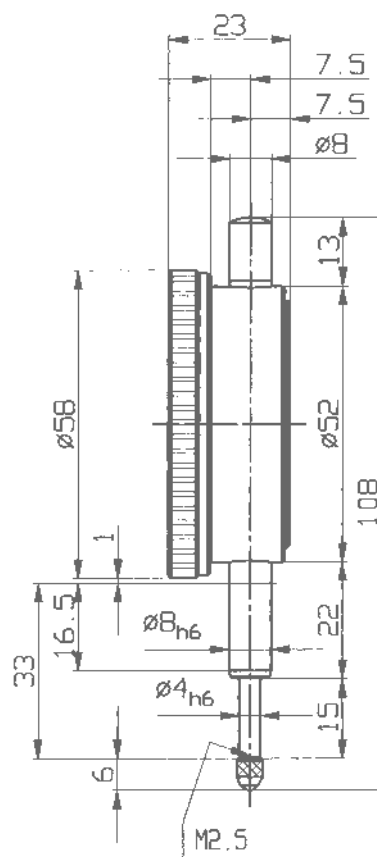
Dial Gauge FM 500 T

The only difference between FM 1000 T and FM 500 T is the number of graduations on the dial face. FM 1000 T has 200 graduations, each of 0,001 mm, whereas FM 500 T has 100 graduations of 0,002 mm.

Spindle and stem are made of resistant stainless steel.

High Precision Dial Gauge FM 1000 T	
Reading	0,001 mm
Range	1 mm
Range per revolution	0,2 mm
Bezel-Ø	58 mm
Stem-Ø	8 h 6
Accuracy	
according to works standard	0.0500.9.0001, edition 4/2001
Spindle	lapped
Dimensioned drawing	page 30

High Precision Dial Gauge FM 500 T	
Reading	0,002 mm
Range	1 mm
Range per revolution	0,2 mm
Bezel-Ø	58 mm
Stem-Ø	8 h 6
Accuracy	
according to works standard	0.0500.9.0001, edition 4/2001
Spindle	lapped
Dimensioned drawing	page 30



Dial Gauge FM 1000/5 T

The carefully thought-out design, the use of selected components and materials as well as the movement perfected by precision engineering guarantee reliable measuring results and a long service life of our Precision Dial Gauges.

Spindle and stem are made of resistant stainless steel.



High Precision Dial Gauge FM 1000/5 T

Reading	0,001 mm
Range	5 mm
Range per revolution	0,2 mm
Bezel-Ø	58 mm
Stem-Ø	8 h 6
Accuracy	
according to works standard	0.0500.9.0001, edition 4/2001
Spindle	lapped
Dimensioned drawing	page 32

If desired, the Dial Gauges FM 1000 T and FM 1000/5 T are also available with special fittings:

- **FM 1000 T resp. FM 1000/5 T**
with fixing screw for the bezel
- **FM 1000 T resp. FM 1000/5 T**
with lifting device
- **FM 1000 T resp. FM 1000/5 T**
with wire release
- **FM 1000 T resp. FM 1000/5 T**
with lifting cap instead of
screwed-on protective cap
- **FM 1000 T resp. FM 1000/5 T**
with special transmission ratio
(range per revolution = 0,25 mm)
- **FM 1000 T resp. FM 1000/5 T**
with counter clockwise dial reading
- **FM 1000 T resp. FM 1000/5 T**
with increased measuring force
- **FM 1000 T resp. FM 1000/5 T**
with reduced measuring force
- **FM 1000 T resp. FM 1000/5 T**
with reversed spring traction
- **FM 1000 T resp. FM 1000/5 T**
with extended stem

Dial Gauge FM 1000 S

shockproof

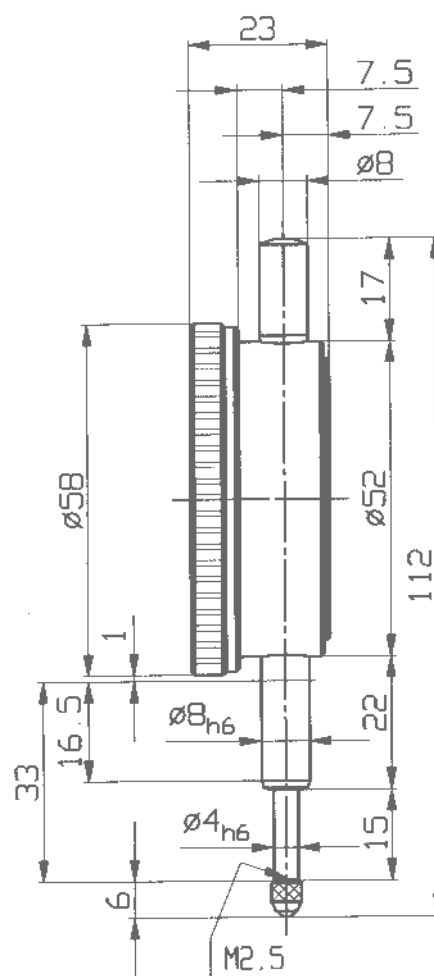
The high-class impact protection of the Dial Gauge FM 1000 S results in an exceptionally long service life. A gear rack sleeve covering the length of the spindle is arranged and sprung in such a way that the shocks against the measuring insert are not transferred to the measuring gear. The Dial Gauge is robust in operation. Its precision is maintained with practically no limitations.

Spindle and stem are made of resistant stainless steel.



High Precision Dial Gauge FM 1000 S shockproof

Reading	0,001 mm
Range	1 mm
Range per revolution	0,2 mm
Bezel-Ø	58 mm
Stem-Ø	8 h 6
Accuracy	
according to works standard	0.0500.9.0001, edition 4/2001
Spindle	lapped
Dimensioned drawing	page 32



Dial Gauge FM 1000/5 S

shockproof

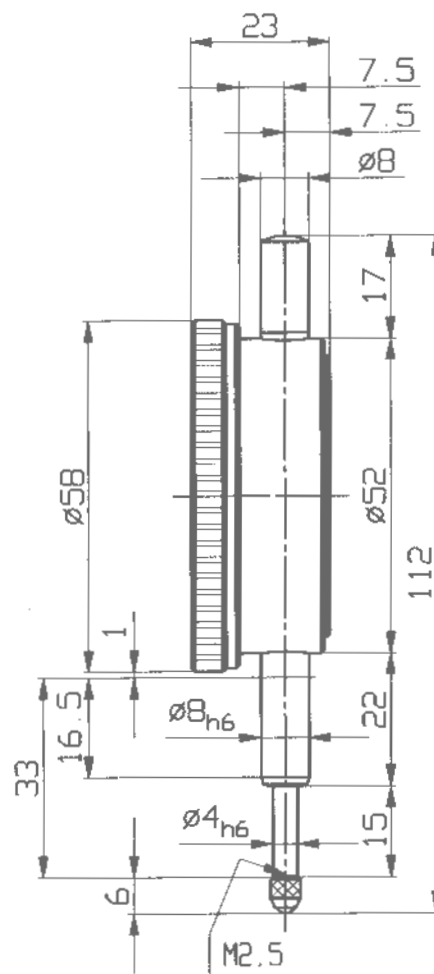
Except of the longer measuring range all technical features of Dial Gauge FM 1000/5 S are the same as for model FM 1000 S.

Spindle and stem are made of resistant stainless steel.

We manufacture also High Precision Dial Gauges with a bezel \varnothing of 80 mm. The model FM 1000/80-5 S has the same technical data as the model FM 1000/5 S, but a bezel diameter of 80 mm.

High Precision Dial Gauge FM 1000/5 S shockproof

Reading	0,001 mm
Range	1 mm
Range per revolution	0,2 mm
Bezel- \varnothing	58 mm
Stem- \varnothing	8 h 6
Accuracy	
according to works standard	0.0500.9.0001, edition 4/2001
Spindle	lapped
Dimensioned drawing	page 33





High Precision Dial Gauges with the movement of Comparator Gauges

The FEINIKA High Precision Dial Gauges have similar movements to those of our range of COMPIKA Comparator Gauges. The travel of the plunger is transmitted and magnified by means of a lever device to the hand. This lever transmission has two advantages. It provides extremely high accuracy, as well as an effective shockproof system.

The following quality features apply to our entire manufacturing programme of FEINIKA High Precision Dial Gauges:

- Effective shockproof system.
- With metal bezel.
- Lifting cap to raise the plunger easily.

- Hardened plunger to protect against damage.
- Additional over-travel for easy insertion of test pieces under the measuring tip.
- Highly responsive movements.
- Precisely matched plunger and stem to minimise lateral play.
- All gear pivots run in high-class ruby bearings.
- A lifting cap to prevent ingress of contaminants.

DIN 878 does not include these High Precision Dial Gauges. So we subject these gauges to more stringent standards as laid down in the table 0.0500.9.0010, edition 1/2001 of our works standard.

Technical data for Metric High Precision Dial Gauges of the series Feinika

Type	Reading	Range per revolution	Range	Overtravel	Bezel-Ø	Special Feature
Feinika KM 1102	0,002 mm	0,1 mm	1 mm	2,5 mm	40 mm	Shockproof
Feinika FM 1102	0,002 mm	0,1 mm	1 mm	4 mm	58 mm	Shockproof
Feinika KM 1101	0,001 mm	0,1 mm	1 mm	2,5 mm	40 mm	Shockproof
Feinika KM 1101 W	0,001 mm	0,1 mm	1 mm	2,5 mm	44,5 mm	Waterproof
Feinika SI-914	0,001 mm	–	0,08 mm	3 mm	40 mm	Error free
Feinika FM 1101	0,001 mm	0,1 mm	1 mm	4 mm	58 mm	Shockproof
Feinika FM 1101 W	0,001 mm	0,1 mm	1 mm	4 mm	61,5 mm	Waterproof
Feinika SI-915	0,001 mm	–	0,08 mm	5 mm	58 mm	Error free
Feinika SI-918	0,001 mm	–	0,16 mm	5 mm	58 mm	Error free

Small Dial Gauge Feinika KM 1101

shockproof

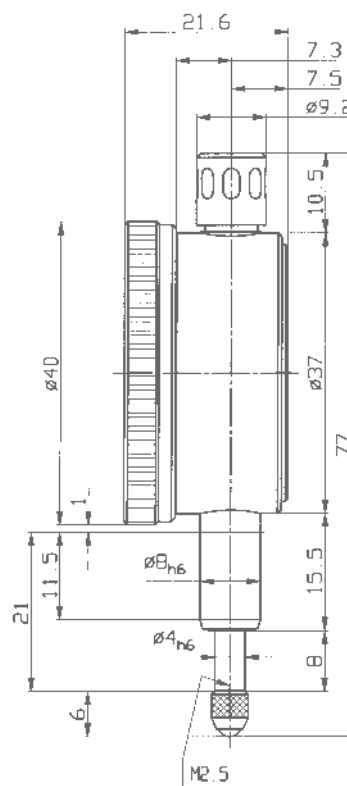
High Precision Dial Gauges Feinika have a scale with 100 graduations for one pointer revolution of 0,1 mm. This enables very precise read-off results.

The travel of the plunger is transmitted by means of a lever device to the hand. This lever transmission of the movement has two advantages. It provides extremely high accuracy, as well as an effective shockproof system.

Spindle and stem are made of resistant stainless steel.

Small Dial Gauge Feinika KM 1101 shockproof

Reading	0,001 mm
Range	1 mm
Range per revolution	0,1 mm
Bezel-Ø	40 mm
Stem-Ø	8 h 6
Accuracy	
according to works standard	0.0500.9.0010, edition 1/2001
Spindle	lapped
Dimensioned drawing	page 35



Dial Gauge Feinika FM 1101

shockproof

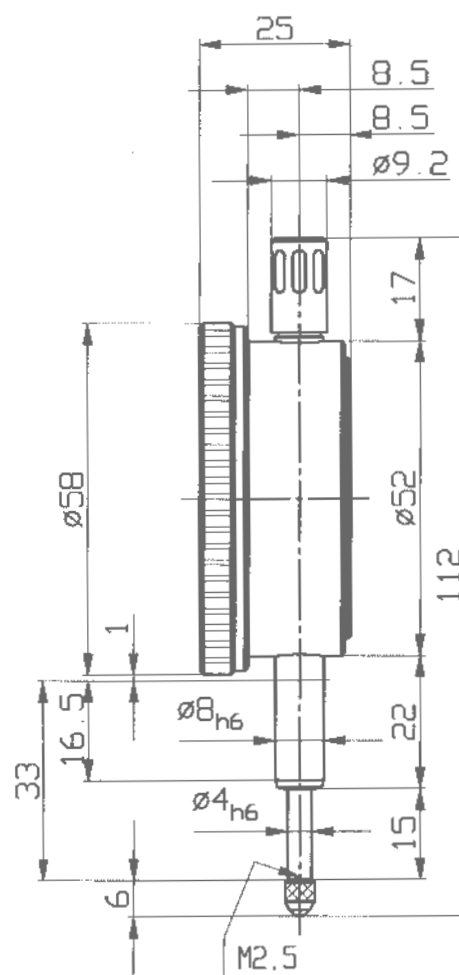
The travel of the plunger is transmitted by means of a lever device to the hand. This lever transmission of the movement has two advantages. It provides extremely high accuracy, as well as an effective shockproof system.

Spindle and stem are made of resistant stainless steel.

High Precision Dial Gauges of the Feinika series are also available in waterproof execution (catalogue page 47) and also as Error Free Dial Gauges (catalogue pages 43 and 46).

Dial Gauge Feinika FM 1101 shockproof

Reading	0,001 mm
Range	1 mm
Range per revolution	0,1 mm
Bezel-Ø	58 mm
Stem-Ø	8 h 6
Accuracy	
according to works standard	0.0500.9.0010, edition 1/2001
Spindle	lapped
Dimensioned drawing	page 36



Dial Gauges with 0,1 mm reading

Dial Gauges with 0,1 mm graduations are supplied without tolerance pointers as standard. On request they can be supplied with tolerance pointers at no extra charge.

Because of the rather course transmission ratio effective on Dial Gauges with a reading of 0,1 mm the danger of damage to the gearing through shocks received by the spindle is considerably minimised. In this range we only offer Standard Dial Gauges without impact protection. Offers for Dial Gauges with a reading of 0,1 mm and shockproof are available on request.

These 0,1 mm reading gauges are also available in waterproof and back-plunger versions. Please contact us for price and availability.

On Dial Gauges KM 5 a, KM 10 a and M 10 a one revolution of the pointer corresponds to the entire measuring range. For this reason they are specially suitable for applications benefiting from a slave pointer. A functional description of Dial Gauges with slave pointers is given on page 67 of the catalogue.

The carefully thought-out design as well as the operationally robust execution of our Dial Gauges with a reading of 0,1 mm guarantee reliable measuring results and a long service life.

Dial Gauges with a reading of 0,1 mm are not included in DIN 878. They are subject to a strict works standard. For the models listed in the following table our works standard 0.0100.9.0004, edition 2/1990 applies.

Technical data for Dial Gauges with 0,1 mm reading

Type	Reading	Range per revolution	Range	Bezel-Ø	Special Feature
KM 7 a	0,1 mm	4 mm	4 mm	32 mm	
KM 5 a	0,1 mm	5 mm	5 mm	40 mm	
KM 10 a	0,1 mm	10 mm	10 mm	40 mm	
M 10 a	0,1 mm	10 mm	10 mm	58 mm	
M 10 b	0,1 mm	10 mm	20 mm	58 mm	
M 10 c	0,1 mm	10 mm	30 mm	58 mm	Linear display to indicate revolution
M 10 d	0,1 mm	10 mm	50 mm	58 mm	
SI-9/0,1	0,1 mm	–	8 mm	58 mm	Error free
GM 10/80	0,1 mm	10 mm	20 mm	80 mm	
GM 10/100	0,1 mm	10 mm	10 mm	100 mm	
GM 10/150	0,1 mm	10 mm	10 mm	150 mm	

Small Dial Gauges KM 5 a and KM 10 a

If desired, the Small Dial Gauges KM 5 a and KM 10 a are also available with special fittings:

- **KM 5 a resp. KM 10 a**
with lifting lever
- **KM 5 a resp. KM 10 a**
with counter clockwise dial reading
- **KM 5 a resp. KM 10 a**
with increased measuring force
- **KM 5 a resp. KM 10 a**
with reverse spring traction
- **KM 5 a resp. KM 10 a**
with tolerance indicators
- **KM 5 a resp. KM 10 a**
with extended stem

Spindle and stem are made of resistant stainless steel.

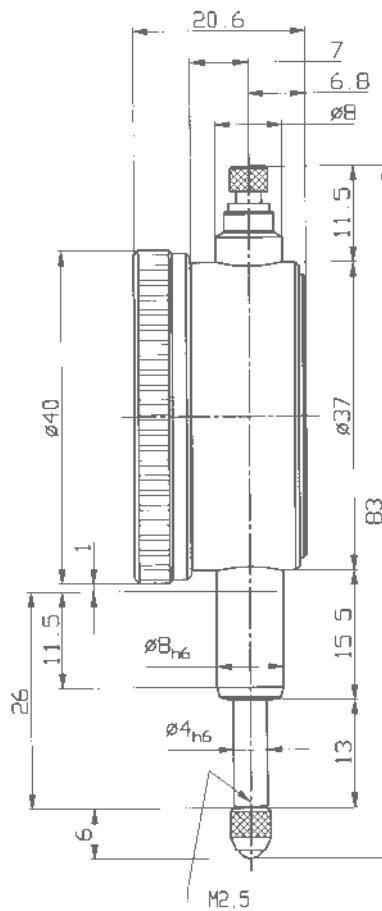


Small Dial Gauge KM 5 a

Reading	0,1 mm
Range	5 mm
Range per revolution	5 mm
Bezel-Ø	40 mm
Stem-Ø	8 h 6
Accuracy	
according to works standard	0.0100.9.0004, edition 2/1990
Dimensioned drawing	on request

Small Dial Gauge KM 10 a

Reading	0,1 mm
Range	10 mm
Range per revolution	10 mm
Bezel-Ø	40 mm
Stem-Ø	8 h 6
Accuracy	
according to works standard	0.0100.9.0004, edition 2/1990
Dimensioned drawing	page 38



Dial Gauges M 10 a and M 10 b

The Dial Gauges with graduations of 0,1 mm have no tolerance indicators. If anyway desired they are available at no extra charge.

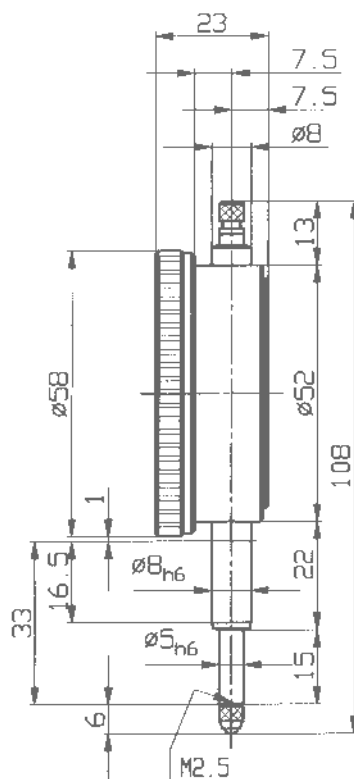
Dial Gauges M 10 a and M 10 b possess a stem which is laterally offset by 3,5 mm.

Spindle and stem are made of resistant stainless steel.

In comparison to model M 10 a the Dial Gauge M 10 b has an additional revolution counter.

Dial Gauge M 10 a	
Reading	0,1 mm
Range	10 mm
Range per revolution	10 mm
Bezel-Ø	58 mm
Stem-Ø	8 h 6
Accuracy	
according to works standard	0.0100.9.0004, edition 2/1990
Dimensioned drawing	page 39

Dial Gauge M 10 b	
Reading	0,1 mm
Range	20 mm
Range per revolution	10 mm
Bezel-Ø	58 mm
Stem-Ø	8 h 6
Accuracy	
according to works standard	0.0100.9.0004, edition 2/1990
Dimensioned drawing	on request



Dial Gauges M 10 c and M 10 d

On model M 10 c a straight line display is used as revolution counter instead of the traditional rotating pointer.

Dial Gauges M 10 c and M 10 d possess a stem which is laterally offset by 3,5 mm.

Spindle and stem are made of resistant stainless steel.

In comparison to model M 10 c the Dial Gauge M 10 d has a rotating pointer as revolution counter.

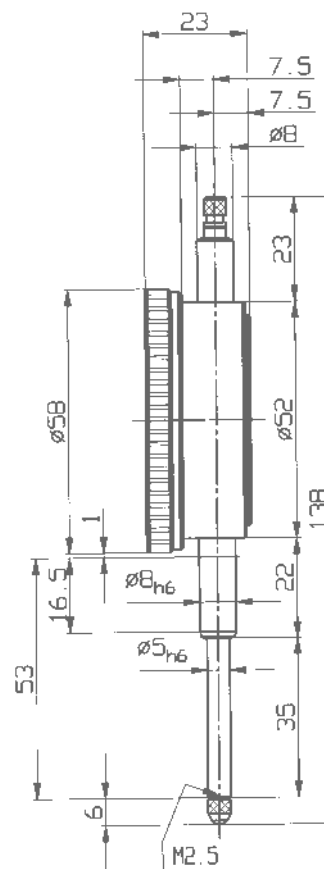


Dial Gauge M 10 c

Reading	0,1 mm
Range	30 mm
Range per revolution	10 mm
Bezel-Ø	58 mm
Stem-Ø	8 h 6
Accuracy	
according to works standard	0.0100.9.0004, edition 2/1990
Dimensioned drawing	page 40

Dial Gauge M 10 d

Reading	0,1 mm
Range	50 mm
Range per revolution	10 mm
Bezel-Ø	58 mm
Stem-Ø	8 h 6
Accuracy	
according to works standard	0.0100.9.0004, edition 2/1990
Dimensioned drawing	on request



Ideal for use in measuring fixtures

Small Dial Gauge KM 4 R

with back plunger

The models KM 4 R and KM 4/5 R differ only in their measuring ranges. Both Dial Gauges can be held either on the standard 8 mm h 6 stem or on the 28 mm diameter spigot.

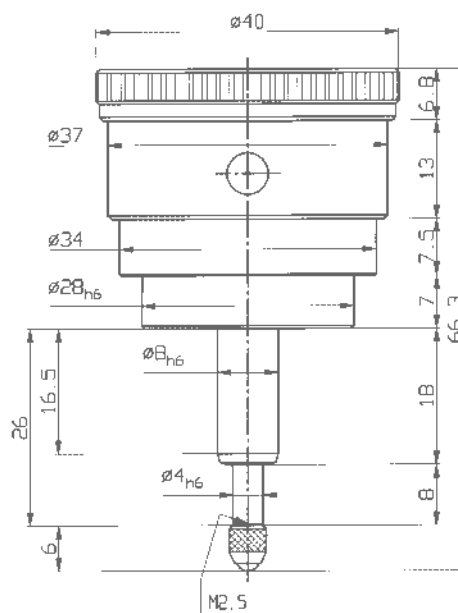
Spindle and stem are made of resistant stainless steel.

Small Dial Gauge KM 4 R with back plunger	
Reading	0,01 mm
Range	3 mm
Range per revolution	0,5 mm
Bezel-Ø	40 mm
Stem-Ø	8 h 6
Accuracy	
according to works standard	0.0200.9.0006, edition 1/1991
Spindle	lapped
Dimensioned drawing	page 41

Small Dial Gauge KM 4/5 R

with back plunger

Small Dial Gauge KM 4/5 R with back plunger	
Reading	0,01 mm
Range	5 mm
Range per revolution	0,5 mm
Bezel-Ø	40 mm
Stem-Ø	8 h 6
Accuracy	
according to works standard	0.0200.9.0006, edition 1/1991
Spindle	lapped
Dimensioned drawing	page 41



On the Small Dial Gauge KM 4/5 R the dimension of 7,5 mm in the above dimensioned drawing has been increased to 9,5 mm and the overall length from 66,3 mm to 68,3 mm.

Ideal for use in measuring fixtures

Dial Gauge M 2 R

with back plunger

The models M 2 R and M 2/5 R differ only in their measuring ranges. Both Dial Gauges can be held either on the standard 8 mm h 6 stem or on the 28 mm diameter spigot.

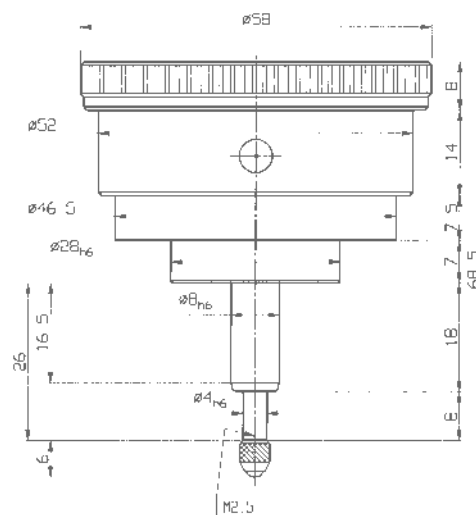
Spindle and stem are made of resistant stainless steel.

Dial Gauge M 2 R with back plunger	
Reading	0,01 mm
Range	3 mm
Range per revolution	1 mm
Bezel-Ø	58 mm
Stem-Ø	8 h 6
Accuracy	
according to works standard	0.0200.9.0006, edition 1/1991
Spindle	lapped
Dimensioned drawing	page 42

Dial Gauge M 2/5 R

with back plunger

Dial Gauge M 2/5 R with back plunger	
Reading	0,01 mm
Range	5 mm
Range per revolution	1 mm
Bezel-Ø	58 mm
Stem-Ø	8 h 6
Accuracy	
according to works standard	0.0200.9.0006, edition 1/1991
Spindle	lapped
Dimensioned drawing	page 42



On the Dial Gauge M 2/5 R the dimension of 7,5 mm at Ø 46,5 mm in the above dimensioned drawing has been increased to 9,5 mm and the overall length from 68,5 mm to 70,5 mm.

The Error Free Dial Gauge SI-90 R with 0,8 mm measuring range, 3 mm overtravel and back plunger possesses identical dimensions as model M 2 R.

Error Free Dial Gauges

with overtravel and limited measuring range

In order to avoid reading errors the measuring range of these Dial Gauges is limited to slightly less than one revolution of the pointer. Therefore a measurement can only be performed within the range of one revolution of the hand guaranteeing error free reading of the Dial Gauge.

The following quality features apply with exception of model SI-9/0,1 to our entire manufacturing programme of Error Free Dial Gauges:

- The large overtravel assists with the insertion of test pieces into the measuring device.
- In conformity with DIN-standard 878 the circular scale can only be rotated by 36°.
- Double safeguard for the limitation of the measuring range:
 - a) Stop in the movement
 - b) Stop on the facet ring
- Effective impact protection

Error Free Dial Gauges designated with capital letter W in the order code are waterproof. A detailed description of the model series of Waterproof Dial Gauges can be found on pages 47 to 51 of the catalogue.

The Dial Gauge SI-90 X from our series X incorporates quality injection moulded components combined with conventional metal components. This design concept offers high precision at an astonishingly low price.

On request we can also supply Error Free Dial Gauges with bezel that can be rotated through 360°.

Technical data for Metric Error Free Dial Gauges

Type	Reading	Range	Dial Reading	Overtravel	Bezel-Ø	Accuracy according to
SI-9/0,1	0,1 mm	8 mm	4 - 0 - 4	–	58 mm	works standard 0.0100.9.0004
SI-45	0,01 mm	0,4 mm	20 - 0 - 20	4,5 mm	40 mm	DIN 878
SI-45/0,8	0,01 mm	0,8 mm	40 - 0 - 40	4 mm	40 mm	DIN 878
SI-90	0,01 mm	0,8 mm	40 - 0 - 40	9 mm	58 mm	DIN 878
SI-90 X	0,01 mm	0,8 mm	40 - 0 - 40	7 mm	58 mm	DIN 878
SI-18	0,01 mm	1,6 mm	80 - 0 - 80	8 mm	58 mm	works standard 0.4223.9.0008
M 3 a SI	0,005 mm	0,4 mm	20 - 0 - 20	4,5 mm	58 mm	DIN 878
FM 500 SI	0,002 mm	0,16 mm	80 - 0 - 80	5 mm	58 mm	works standard 0.0500.9.0001
Feinika SI-914	0,001 mm	0,08 mm	40 - 0 - 40	3,5 mm	40 mm	works standard 0.0500.9.0010
Feinika SI-915	0,001 mm	0,08 mm	40 - 0 - 40	5 mm	58 mm	works standard 0.0500.9.0010
SI-180	0,001 mm	0,16 mm	80 - 0 - 80	5 mm	58 mm	works standard 0.0500.9.0001
Feinika SI-918	0,001 mm	0,16 mm	80 - 0 - 80	5 mm	58 mm	works standard 0.0500.9.0010

Error Free Dial Gauge SI-45

shockproof, with overtravel

Due to their high-class impact protection the Error Free Dial Gauges SI-45 and SI-45/0,8 offer an extremely long service life. A gear rack sleeve covering the length of the spindle is arranged and sprung in such a way that the shocks against the measuring insert are not transferred to the measuring gear. The Dial Gauges are robust in operation. Their precision is maintained with practically no limitations.

Spindle and stem are made of resistant stainless steel.

Error Free Dial Gauge SI-45 shockproof, with overtravel

Reading	0,01 mm
Range	0,4 mm
Overtravel	4,5 mm
Bezel-Ø	40 mm
Stem-Ø	8 h 6
Dimensions and accuracy according to	DIN 878
Spindle	lapped
Dimensioned drawing	page 44

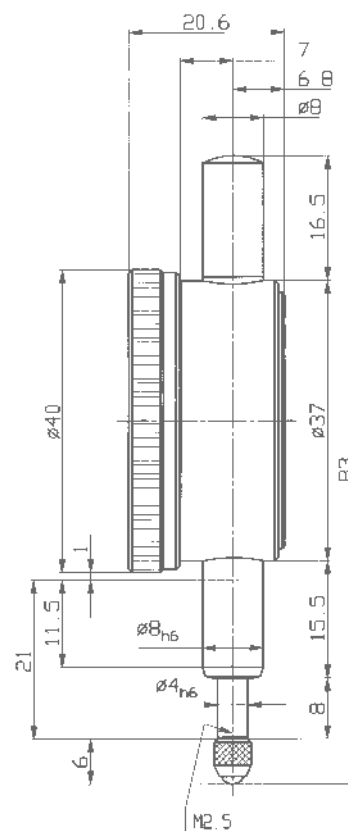


Error Free Dial Gauge SI-45/0,8

shockproof, with overtravel

Error Free Dial Gauge SI-45/0,8 shockproof, with overtravel

Reading	0,01 mm
Range	0,8 mm
Overtravel	4 mm
Bezel-Ø	40 mm
Stem-Ø	8 h 6
Dimensions and accuracy according to	DIN 878
Spindle	lapped
Dimensioned drawing	page 44



On request the Safety Dial Gauges SI-45 and SI-45/0,8 can also be supplied as waterproof execution. Their type designations are SI-45 W and SI-45/0,8 W. Please note that in this case the dimensions of the above drawing do not apply.

Error Free Dial Gauge SI-90

shockproof, with overtravel

Due to its high-class impact protection the Safety Dial Gauge SI-90 offers an extremely long service life. A gear rack sleeve covering the length of the spindle is arranged and sprung in such a way that the shocks against the measuring insert are not transferred to the measuring gear. The Dial Gauge is robust in operation. Its precision is maintained with practically no limitations.

Spindle and stem are made of resistant stainless steel.

Error Free Dial Gauge SI-90 shockproof, with overtravel

Reading	0,01 mm
Range	0,8 mm
Overtravel	9 mm
Bezel-Ø	58 mm
Stem-Ø	8 h 6
Dimensions and accuracy according to	DIN 878
Spindle	lapped
Dimensioned drawing	page 11



If desired, the Dial Gauge SI-90 is available with special fittings:

- **Dial Gauge SI-90**
with fixing screw for the bezel
- **Dial Gauge SI-90**
with lifting cap instead of screwed-on protective cap
- **Dial Gauge SI-90**
with wire release
- **Dial Gauge SI-90**
with bezel that can be rotated through 360°
- **Dial Gauge SI-90**
with increased measuring force
- **Dial Gauge SI-90**
with reduced measuring force
- **Dial Gauge SI-90**
with extended stem

Error Free Dial Gauge Feinika SI-914

shockproof, with overtravel

Error Free Dial Gauge Feinika SI-915

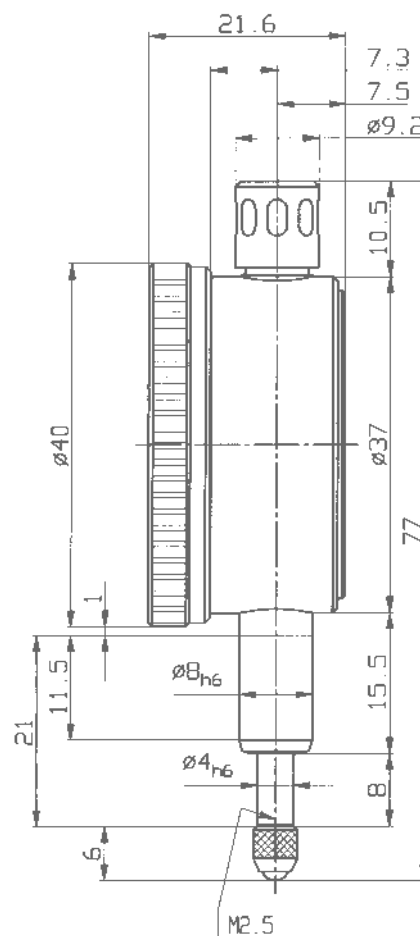
shockproof, with overtravel

Dial Gauges Feinika possess a movement similar to that of Comparator Gauges. The combined gear and lever transmission guarantees high accuracy and low hysteresis. Dial Gauges Feinika are therefore best suited as error free 0,001 mm-reading Dial Gauges.

Dial Gauges Feinika are supplied as standard execution with lifting bush and metal bezel.

Error Free Dial Gauge SI-914 shockproof, with overtravel	
Reading	0,001 mm
Range	0,08 mm
Overtravel	3,5 mm
Bezel-Ø	40 mm
Stem-Ø	8 h 6
Accuracy according to works standard	0.0500.9.0010, edition 1/2001
Spindle	lapped
Dimensioned drawing	page 46

Error Free Dial Gauge SI-915 shockproof, with overtravel	
Reading	0,001 mm
Range	0,08 mm
Overtravel	5 mm
Bezel-Ø	58 mm
Stem-Ø	8 h 6
Accuracy according to works standard	0.0500.9.0010, edition 1/2001
Spindle	lapped
Dimensioned drawing	on request



On request the Safety Dial Gauges SI-914 and SI-915 can also be supplied as waterproof execution.

Their type designations are SI-914 W and SI-915 W. Please note that in this case the dimensions of the above drawing do not apply.

Waterproof Dial Gauges

shockproof

In the workshop it is unavoidable that Precision Dial Gauges are in contact with oil, water mist or dust. Our range of hermetically sealed Waterproof Dial Gauges has been specially designed to withstand these conditions. These extremely robust Precision Dial Gauges conforming to protection class IP 67 bear the order code 'W'.

Their features are:

- A flexible rubber bellows is fitted where the spindle enters the stem.
- The upper end of the measuring spindle is sealed by a safety cap and an 'O' ring.
- A new design of the metal bezel and its assembly produces a perfect seal. Its special features include 'O' rings, flat glasses and a screwed-on brass ring.
- An additional 'O' ring is placed between the rotating outer ring and the indicator's metal housing.
- The back plate is fitted in such a way that no foreign matter can enter.
- Effective shockproof system.

Technical data for Metric Waterproof Dial Gauges IP 67

Type	Reading	Range per revolution	Range	Bezel-Ø	Accuracy according to
KM 4 SW	0,01 mm	0,5 mm	3 mm	44,5 mm	DIN 878
KM 4/5 SW	0,01 mm	0,5 mm	5 mm	44,5 mm	DIN 878
SI-45 W	0,01 mm	–	0,4 mm	44,5 mm	DIN 878
M 2 SW	0,01 mm	1 mm	10 mm	61,5 mm	DIN 878
M 2/30 SW	0,01 mm	1 mm	30 mm	61,5 mm	works standard 1.0200.9.0014
SI-90 W	0,01 mm	–	0,8 mm	61,5 mm	DIN 878
KM 500 SW	0,002 mm	0,2 mm	1 mm	44,5 mm	works standard 0.0500.9.0001
Feinika KM 1101 W	0,001 mm	0,1 mm	1 mm	44,5 mm	works standard 0.0500.9.0010
Feinika FM 1101 W	0,001 mm	0,1 mm	1 mm	61,5 mm	works standard 0.0500.9.0010
FM 1000 SW	0,001 mm	0,2 mm	1 mm	61,5 mm	works standard 0.0500.9.0001
FM 1000/5 SW	0,001 mm	0,2 mm	5 mm	61,5 mm	works standard 0.0500.9.0001

Other Dial Gauges from our manufacturing programme with a measuring range of maximum 30 mm can also be supplied water- and oilproof. Please request our respective offer.

Small Dial Gauge KM 4 SW

waterproof, shockproof

Due to their high-class impact protection the Small Dial Gauges KM 4 SW and KM 4/5 SW offer an extremely long service life. A gear rack sleeve covering the length of the spindle is arranged and sprung in such a way that the shocks against the measuring insert are not transferred to the measuring gear. These Dial Gauges are robust in operation. Their precision is maintained with practically no limitations.

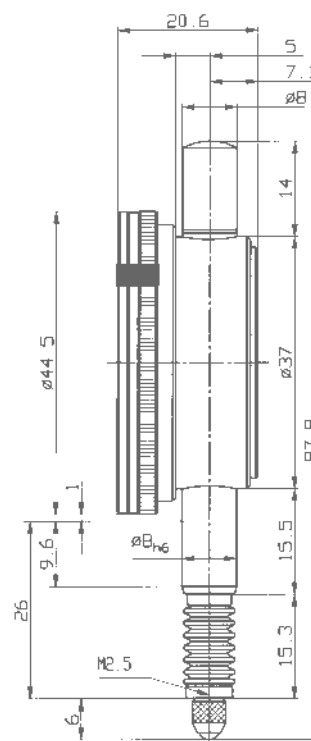
Spindle and stem are made of resistant stainless steel.

Small Dial Gauge KM 4 SW waterproof, shockproof	
Reading	0,01 mm
Range	3 mm
Range per revolution	0,5 mm
Bezel-Ø	44,5 mm
Stem-Ø	8 h 6
Dimensions and accuracy according to	DIN 878
Spindle	lapped
Dimensioned drawing	page 48

Small Dial Gauge KM 4/5 SW

waterproof, shockproof

Small Dial Gauge KM 4/5 SW waterproof, shockproof	
Reading	0,01 mm
Range	5 mm
Range per revolution	0,5 mm
Bezel-Ø	44,5 mm
Stem-Ø	8 h 6
Dimensions and accuracy according to	DIN 878
Spindle	lapped
Dimensioned drawing	page 48



The above dimensioned drawing also applies to the Safety Dial Gauge SI-45 W.

On type KM 4/5 SW the dimension 14 mm at the top is 17 mm instead. The overall length thus becomes 90,8 mm instead of 87,8 mm.

Dial Gauge M 2 SW

waterproof, shockproof

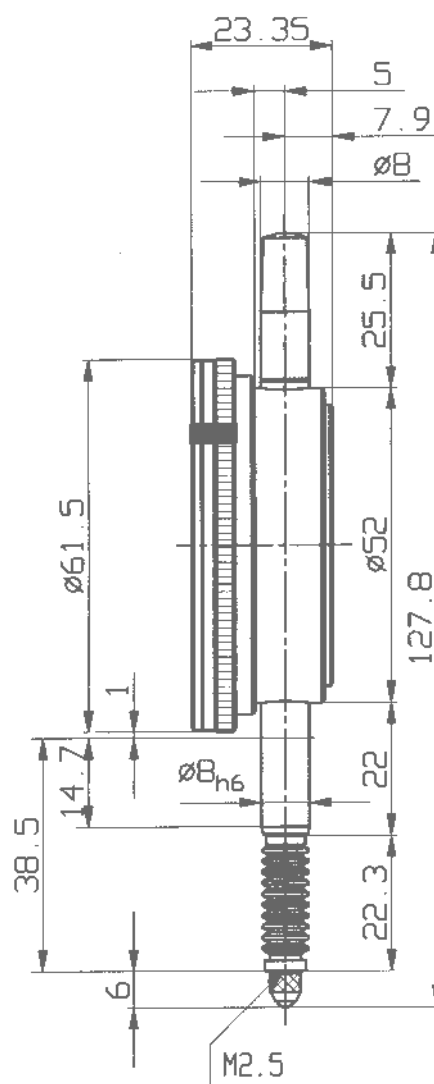
The waterproof Precision Dial Gauge M 2 SW also has a bezel which can be rotated through 360°.

When changing the measuring insert attention has to be paid that the spacer disc between the measuring insert and the rubber bellows is put back again. Otherwise the Dial Gauge is no longer sealed against the ingress of contamination.

Spindle and stem are made of resistant stainless steel.

Precision Dial Gauge M 2 SW waterproof, shockproof

Reading	0,01 mm
Range	10 mm
Range per revolution	1 mm
Bezel-Ø	61,5 mm
Stem-Ø	8 h 6
Dimensions and accuracy according to	DIN 878
Spindle	lapped
Dimensioned drawing	page 49



Dial Gauge M 2/30 SW

waterproof, shockproof

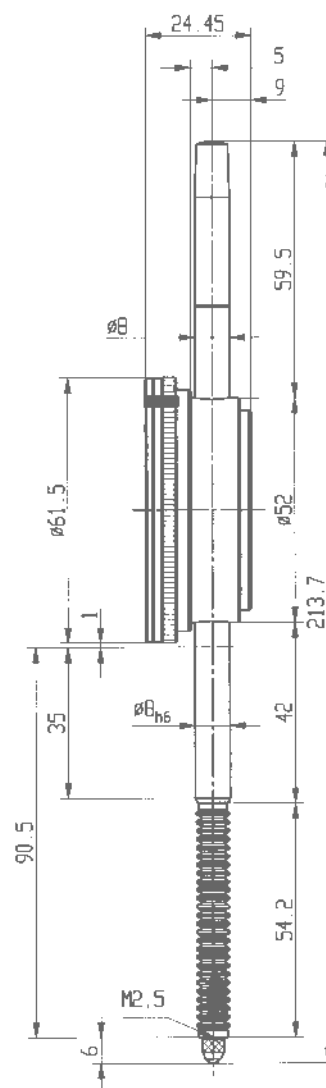
For the first time we are introducing with this catalogue issue type M 2/30 SW, a Precision Dial Gauge with 30 mm measuring range which is waterproof according to protection class IP 67.

On request we are also offering a waterproof model with 30 mm measuring range conforming to IP 53.

Spindle and stem are made of resistant stainless steel.

Precision Dial Gauge M 2/30 SW waterproof, shockproof

Reading	0,01 mm
Range	30 mm
Range per revolution	1 mm
Bezel-Ø	61,5 mm
Stem-Ø	8 h 6
Accuracy	
according to works standard	1.0200.9.0014, edition 2000
Spindle	lapped
Dimensioned drawing	page 50



Error Free Dial Gauge SI-90 W

waterproof, shockproof

Due to its high-class impact protection the Safety Dial Gauge SI-90 W offers an extremely long service life. A gear rack sleeve covering the length of the spindle is arranged and sprung in such a way that the shocks against the measuring insert are not transferred to the measuring gear. The Dial Gauge is robust in operation. Its precision is maintained with practically no limitations.

Spindle and stem are made of resistant stainless steel.

Error Free Dial Gauge SI-90 W waterproof, shockproof

Reading	0,01 mm
Range	0,8 mm
Overtravel	9 mm
Bezel-Ø	61,5 mm
Stem-Ø	8 h 6
Dimensions and accuracy according to	DIN 878
Spindle	lapped
Dimensioned drawing	page 49



On request other Dial Gauges from our manufacturing programme are available in waterproof execution.

- Dial Gauge M 3 SW
- Dial Gauge M 3 a SW
- Dial Gauge SI-18 W

Please request our offers.

Dial Gauge M 2 S wa

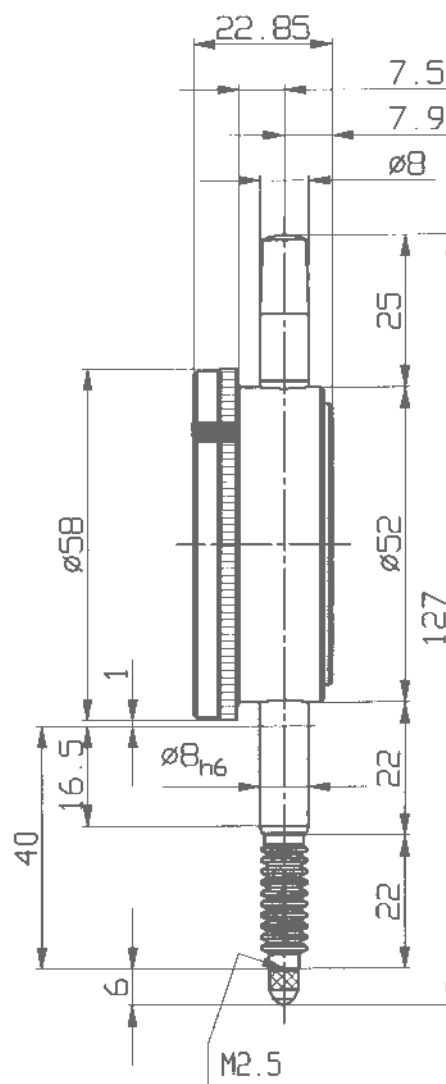
water protected, shockproof

Water protected Dial Gauges are to be recommended for applications where splash water prevails. These Dial Gauges conforming to protection class **IP53** bear the order code 'wa'.

The transparent front cover, made of knock resistant plastics, with its anti-reflective coating reduces shadows on the dial face and makes the Dial Gauge M 2 S wa very easy to read even at awkward angles that may often be found in fixture applications.

Precision Dial Gauge M 2 S wa, water protected

Reading	0,01 mm
Range	10 mm
Range per revolution	1 mm
Bezel-Ø	58 mm
Stem-Ø	8 h 6
Dimensions and accuracy according to	DIN 878
Spindle	lapped
Dimensioned drawing	page 52



Inch Reading Precision Dial Gauges

Technical data for Inch Reading Precision Dial Gauges with metric stem-Ø and thread size

Page	Type	Reading	Range per revolution	Dial Reading	Range	Bezel-Ø	Stem-Ø	Special Feature
55	KZO 6 T	.0005"	.020"	0-20	.120"	32 mm	8 mm h 6	
-	KZO 4 T	.001"	.020"	0-20	.120"	40 mm	8 mm h 6	
-	KZO 4 R	.001"	.020"	0-20	.120"	40 mm	8 mm h 6	Back plunger
-	KZO 4/5 SW	.001"	.100"	0-100	.200"	44,5 mm	8 mm h 6	Waterproof
-	ZO 2 T	.001"	.100"	0-100	.500"	58 mm	8 mm h 6	
-	ZO 2 S	.001"	.100"	0-100	.400"	58 mm	8 mm h 6	Shockproof
-	SI-90 Z	.001"	-	40-0-40	.080"	58 mm	8 mm h 6	Error free
-	ZO 2/30 T	.001"	.100"	0-100	1.000"	58 mm	8 mm h 6	
-	ZO 2/50 T	.001"	.100"	0-100	2.000"	58 mm	8 mm h 6	
54	ZO 3 T	.0005"	.050"	0-50	.500"	58 mm	8 mm h 6	
54	ZO 3 S	.0005"	.050"	0-50	.400"	58 mm	8 mm h 6	Shockproof
-	ZO 3/30 T	.0005"	.050"	0-50	1.000"	58 mm	8 mm h 6	
-	ZO 3/50 T	.0005"	.050"	0-50	2.000"	58 mm	8 mm h 6	
-	ZO 3 R	.0005"	.050"	0-50	.120"	58 mm	8 mm h 6	Back plunger
-	ZO 3/5 R	.0005"	.050"	0-50	.200"	58 mm	8 mm h 6	Back plunger
-	ZO 3 SNW	.0005"	.050"	0-50	.400"	61,5 mm	8 mm h 6	Waterproof
-	GZ 80 T	.0005"	.050"	0-50	.500"	80 mm	8 mm h 6	
-	GZ 100 T	.0005"	.050"	0-50	.500"	100 mm	8 mm h 6	
-	KFZO T	.0001"	.010"	0-10	.040"	40 mm	8 mm h 6	
55	KFZO S	.0001"	.010"	0-10	.040"	40 mm	8 mm h 6	Shockproof
-	KFZO 1101	.00005"	.005"	0-50	.040"	40 mm	8 mm h 6	Shockproof, extra accurate movement
-	SI-914 ZO	.00005"	-	20-0-20	.004"	40 mm	8 mm h 6	Error free, extra accurate movement
56	FZO T	.0001"	.010"	0-10	.040"	58 mm	8 mm h 6	
56	FZO 5 T	.0001"	.010"	0-10	.200"	58 mm	8 mm h 6	
-	FZO 1101	.00005"	.005"	0-50	.040"	58 mm	8 mm h 6	Shockproof, extra accurate movement
-	SI-915 ZO	.00005"	-	20-0-20	.004"	58 mm	8 mm h 6	Error free, extra accurate movement
-	FZ 80 T	.0001"	.010"	0-10	.040"	80 mm	8 mm h 6	
-	FZ 80/5 T	.0001"	.010"	0-10	.200"	80 mm	8 mm h 6	

All types of the above table have a stem-Ø of 8 mm h 6 and a thread M 2,5. The Dial Gauges will be supplied with flat backs. A mounting lug is available at extra charge.

Inch Reading Dial Gauges are also available with measurements equivalent to the American Standard ANSI B89.1.10M-2001. These instruments have a stem-Ø of $\frac{3}{8}$ " , the thread for the feeler is 4/48 NF. For details concerning this Dial Gauge series please see the table on pages 57 and 58.

Inch Dial Gauge ZO 3 T

The Dial Gauges ZO 3 T and ZO 3 S will be supplied with continuous dial reading and flat backs. If required, balanced dials and lug backs are available at extra charge.

Due to its effective shockproof system the Dial Gauge ZO 3 S has an exceptionally long service life. A gear rack sleeve covering the length of the spindle is arranged and sprung in such a way that the shocks against the measuring insert are not transferred to the measuring gear. An additional feature of this Dial Gauge is the incorporated fine adjustment of the pointer. By turning the knurled screw at the top, the large hand can be easily set to 0 without turning the bezel and the outer dial.

DIN-standard 878 applies to all dimensions and permissible deviation spans analogous.

Spindle and stem are made of resistant stainless steel.

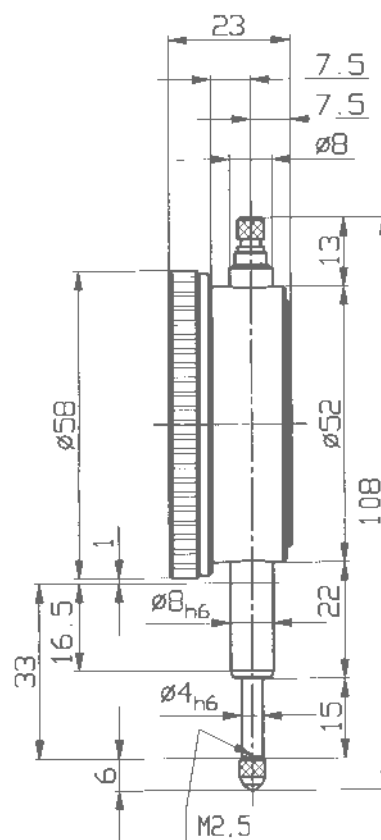
Inch Dial Gauge ZO 3 T	
Reading	.0005"
Range	.500"
Range per revolution	.050"
Bezel-Ø	58 mm
Stem-Ø	8 h 6
Dimensions and accuracy analogous to	DIN 878
Spindle	lapped
Dimensioned drawing	page 54



Inch Dial Gauge ZO 3 S

shockproof

Inch Dial Gauge ZO 3 S shockproof	
Reading	.0005"
Range	.400"
Range per revolution	.050"
Bezel-Ø	58 mm
Stem-Ø	8 h 6
Dimensions and accuracy analogous to	DIN 878
Spindle	lapped
Dimensioned drawing	same as M 2 S on page 11



Small Inch Dial Gauge KZO 6 T

Small Inch Dial Gauge KFZO S shockproof



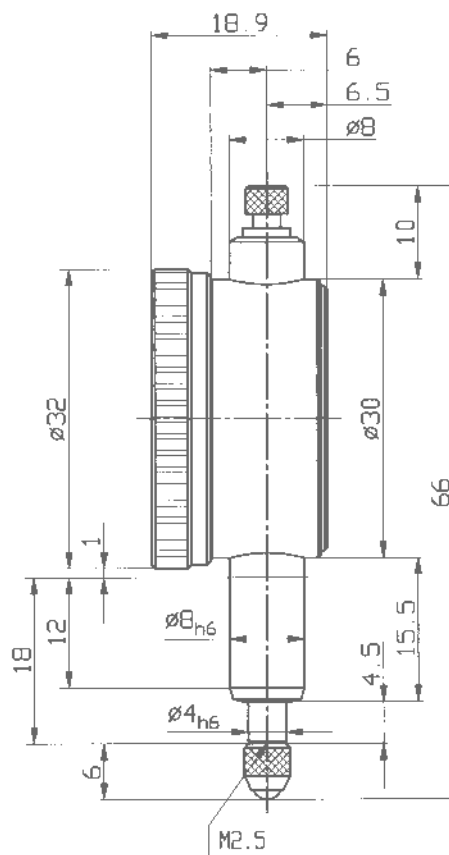
Type KZO 6 T is the smallest Inch Dial Gauge in our broad manufacturing programme. Nonetheless we apply the DIN-standard 878 D analogous for all permissible deviation spans of the Dial Gauge KZO 6 T. Its dimensions correspond to the metric version KM 6 T on page 19.

Due to its effective shockproof system the Small Inch Dial Gauge KFZO S has an exceptionally long service life. A gear rack sleeve covering the length of the spindle is arranged and sprung in such a way that the shocks against the measuring insert are not transferred to the measuring gear.

Spindle and stem are made of resistant stainless steel.

Small Inch Dial Gauge KZO 6 T	
Reading	.0005"
Range	.120"
Range per revolution	.020"
Bezel-Ø	32 mm
Stem-Ø	8 h 6
Accuracy analogous to	DIN 878
Spindle	lapped
Dimensioned drawing	page 55

Small Inch Dial Gauge KFZO S shockproof	
Reading	.0001"
Range	.040"
Range per revolution	.010"
Bezel-Ø	40 mm
Stem-Ø	8 h 6
Accuracy	according to works standard
	0.0800.9.0005, edition 1989
Spindle	lapped
Dimensioned drawing	corresponds to type KM 1000 S on page 29



Inch Dial Gauge FZO T

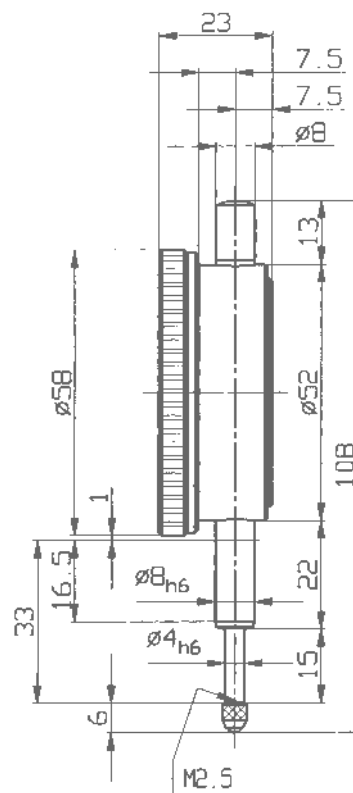
The carefully thought-out design, the use of selected components and materials as well as the movement perfected by precision engineering guarantee reliable measuring results and a long service life of our Precision Dial Gauges.

Spindle and stem are made of resistant stainless steel.

Inch Dial Gauge FZO T	
Reading	.0001"
Range	.040"
Range per revolution	.010"
Bezel-Ø	58 mm
Stem-Ø	8 h 6
Accuracy	
according to works standard	0.0800.9.0005, edition 1989
Spindle	lapped
Dimensioned drawing	page 56

Inch Dial Gauge FZO 5 T

Inch Dial Gauge FZO 5 T	
Reading	.0001"
Range	.200"
Range per revolution	.010"
Bezel-Ø	58 mm
Stem-Ø	8 h 6
Accuracy	
according to works standard	0.0800.9.0005, edition 1989
Spindle	lapped
Dimensioned drawing	page 56



On model FZO 5 T the length of the protective sleeve is 17 mm instead of 13 mm. The overall length thus increases to 112 mm instead of 108 mm.

Inch Reading Precision Dial Gauges to ANSI Standard

Technical data for Inch Reading Precision Dial Gauges to ANSI Standard

Page	Type	Reading	Range per revolution	Dial Reading	Range	Bezel-Ø	Stem-Ø	Special Feature
-	KZ 6 T	.0005"	.020"	0-20	.120"	1 13/50"	3/8"	
59	KZ 4/5 Sb	.001"	.100"	0-50-0	.200"	1 9/16"	3/8"	Shockproof
-	KZ 4/5 Sb FS	.001"	.100"	0-50-0	.200"	1 9/16"	3/8"	Shockproof, fixing screw
-	KZ 4/5 Sb LB	.001"	.100"	0-50-0	.200"	1 9/16"	3/8"	Shockproof, lug back
64	KZ 4/5 Rb	.001"	.020"	0-10-0	.200"	1 9/16"	3/8"	Back plunger
-	KZ 4/5 Rb FS	.001"	.020"	0-10-0	.200"	1 9/16"	3/8"	Back plunger, fixing screw
-	KZ 4 SI	.001"	-	40-0-40	.080"	1 9/16"	3/8"	Error free
-	KZ 4 SI FS	.001"	-	40-0-40	.080"	1 9/16"	3/8"	Error free, fixing screw
-	KZ 4 SI LB	.001"	-	40-0-40	.080"	1 9/16"	3/8"	Error free, lug back
-	KZ 4/5 SW b	.001"	.100"	0-50-0	.200"	1 1/5"	3/8"	Waterproof
-	Z 1 Ta	.001"	.100"	0-100	.250"	2 1/4"	3/8"	
-	Z 1 Ta FS	.001"	.100"	0-100	.250"	2 1/4"	3/8"	Fixing screw
-	Z 1 Ta LB	.001"	.100"	0-100	.250"	2 1/4"	3/8"	Lug back
-	Z 1 Tb	.001"	.100"	0-50-0	.250"	2 1/4"	3/8"	
-	Z 1 Tb FS	.001"	.100"	0-50-0	.250"	2 1/4"	3/8"	Fixing screw
-	Z 1 Tb LB	.001"	.100"	0-50-0	.250"	2 1/4"	3/8"	Lug back
-	Z 2 Ta	.001"	.100"	0-100	.250"	2 1/4"	3/8"	
-	Z 2 Ta FS	.001"	.100"	0-100	.250"	2 1/4"	3/8"	Fixing screw
-	Z 2 Ta LB	.001"	.100"	0-100	.250"	2 1/4"	3/8"	Lug back
-	Z 2 Tb	.001"	.100"	0-50-0	.250"	2 1/4"	3/8"	
-	Z 2 Tb FS	.001"	.100"	0-50-0	.250"	2 1/4"	3/8"	Fixing screw
-	Z 2 Tb LB	.001"	.100"	0-50-0	.250"	2 1/4"	3/8"	Lug back
60	Z 2/8 SNb	.001"	.100"	0-50-0	.312"	2 1/4"	3/8"	Shockproof
-	Z 2/8 SNb FS	.001"	.100"	0-50-0	.312"	2 1/4"	3/8"	Shockproof, fixing screw
-	Z 2/8 SNb LB	.001"	.100"	0-50-0	.312"	2 1/4"	3/8"	Shockproof, lug back
61	Z 2/30 Ta	.001"	.100"	0-100	1.000"	2 1/4"	3/8"	
-	Z 2/30 Ta FS	.001"	.100"	0-100	1.000"	2 1/4"	3/8"	Fixing screw
-	Z 2/30 Ta LB	.001"	.100"	0-100	1.000"	2 1/4"	3/8"	Lug back
-	Z 2/50 Ta	.001"	.100"	0-100	2.000"	2 1/4"	3/8"	
-	Z 2/50 Ta FS	.001"	.100"	0-100	2.000"	2 1/4"	3/8"	Fixing screw
-	Z 2/50 Ta LB	.001"	.100"	0-100	2.000"	2 1/4"	3/8"	Lug back
-	Z 2/100 Ta	.001"	.100"	0-100	4.000"	2 1/4"	3/8"	
-	Z 2/100 Ta FS	.001"	.100"	0-100	4.000"	2 1/4"	3/8"	Fixing screw
-	Z 2/100 Ta LB	.001"	.100"	0-100	4.000"	2 1/4"	3/8"	Lug back
65	Z 2 SI	.001"	-	40-0-40	.080"	2 1/4"	3/8"	Error free
-	Z 2 SI FS	.001"	-	40-0-40	.080"	2 1/4"	3/8"	Error free, fixing screw
-	Z 2 SI LB	.001"	-	40-0-40	.080"	2 1/4"	3/8"	Error free, lug back
-	GZ 80/100 T	.001"	.100"	0-100	4.000"	3 1/8"	3/8"	
-	GZ 80/100 T LB	.001"	.100"	0-100	4.000"	3 1/8"	3/8"	Lug back
59	KZ 3/5 Sb	.0005"	.040"	0-20-0	.200"	1 9/16"	3/8"	Shockproof
-	KZ 3/5 Sb FS	.0005"	.040"	0-20-0	.200"	1 9/16"	3/8"	Shockproof, fixing screw
-	KZ 3/5 Sb LB	.0005"	.040"	0-20-0	.200"	1 9/16"	3/8"	Shockproof, lug back
-	KZ 3 SI	.0005"	-	10-0-10	.020"	1 9/16"	3/8"	Error free
-	KZ 3 SI FS	.0005"	-	10-0-10	.020"	1 9/16"	3/8"	Error free, fixing screw
-	KZ 3 SI LB	.0005"	-	10-0-10	.020"	1 9/16"	3/8"	Error free, lug back
-	Z 3 Ta	.0005"	.050"	0-50	.125"	2 1/4"	3/8"	
-	Z 3 Ta FS	.0005"	.050"	0-50	.125"	2 1/4"	3/8"	Fixing screw
-	Z 3 Ta LB	.0005"	.050"	0-50	.125"	2 1/4"	3/8"	Lug back
-	Z 3 Tb	.0005"	.050"	0-25-0	.125"	2 1/4"	3/8"	
-	Z 3 Tb FS	.0005"	.050"	0-25-0	.125"	2 1/4"	3/8"	Fixing screw
-	Z 3 Tb LB	.0005"	.050"	0-25-0	.125"	2 1/4"	3/8"	Lug back
-	Z 3/0,04 SNb	.0005"	.040"	0-20-0	.312"	2 1/4"	3/8"	Shockproof
-	Z 3/0,04 SNb FS	.0005"	.040"	0-20-0	.312"	2 1/4"	3/8"	Shockproof, fixing screw
-	Z 3/0,04 SNb LB	.0005"	.040"	0-20-0	.312"	2 1/4"	3/8"	Shockproof, lug back
61	Z 3/30 Ta	.0005"	.050"	0-50	1.000"	2 1/4"	3/8"	
-	Z 3/30 Ta FS	.0005"	.050"	0-50	1.000"	2 1/4"	3/8"	Fixing screw
-	Z 3/30 Ta LB	.0005"	.050"	0-50	1.000"	2 1/4"	3/8"	Lug back
-	Z 3/50 Ta	.0005"	.050"	0-50	2.000"	2 1/4"	3/8"	
-	Z 3/50 Ta FS	.0005"	.050"	0-50	2.000"	2 1/4"	3/8"	Fixing screw
-	Z 3/50 Ta LB	.0005"	.050"	0-50	2.000"	2 1/4"	3/8"	Lug back

Inch Reading Precision Dial Gauges to ANSI Standard

Technical data for Inch Reading Precision Dial Gauges to ANSI Standard

Page	Type	Reading	Range per revolution	Dial Reading	Range	Bezel-Ø	Stem-Ø	Special Feature
64	Z3/5 Rb	.0005"	.050"	0-25-0	.200"	2 1/4"	3/8"	Back plunger
-	Z3/5 Rb FS	.0005"	.050"	0-25-0	.200"	2 1/4"	3/8"	Back plunger, fixing screw
66	Z3 SNW	.0005"	.050"	0-50	.400"	2 27/64"	3/8"	Waterproof
-	FZ3 SI	.0005"	-	10-0-10	.020"	2 1/4"	3/8"	Error free
-	FZ3 SI FS	.0005"	-	10-0-10	.020"	2 1/4"	3/8"	Error free, fixing screw
-	FZ3 SI LB	.0005"	-	10-0-10	.020"	2 1/4"	3/8"	Error free, lug back
-	KFZ Tb	.0001"	.010"	0-5-0	.040"	1 9/16"	3/8"	
-	KFZ Tb FS	.0001"	.010"	0-5-0	.040"	1 9/16"	3/8"	Fixing screw
-	KFZ Tb LB	.0001"	.010"	0-5-0	.040"	1 9/16"	3/8"	Lug back
-	KFZ3 Sb	.0001"	.010"	0-5-0	.100"	1 9/16"	3/8"	Shockproof
-	KFZ3 Sb FS	.0001"	.010"	0-5-0	.100"	1 9/16"	3/8"	Shockproof, fixing screw
-	KFZ3 Sb LB	.0001"	.010"	0-5-0	.100"	1 9/16"	3/8"	Shockproof, lug back
-	KFZ 1101	.00005"	.005"	0-50	.040"	1 9/16"	3/8"	Shockproof
-	KFZ 1101 FS	.00005"	.005"	0-50	.040"	1 9/16"	3/8"	Shockproof, fixing screw
-	KFZ 1101 LB	.00005"	.005"	0-50	.040"	1 9/16"	3/8"	Shockproof, lug back
-	SI-914 Z	.00005"	-	20-0-20	.004"	1 9/16"	3/8"	Error free
-	SI-914 Z FS	.00005"	-	20-0-20	.004"	1 9/16"	3/8"	Error free, fixing screw
-	SI-914 Z LB	.00005"	-	20-0-20	.004"	1 9/16"	3/8"	Error free, lug back
-	FZ Ta	.0001"	.010"	0-10	.025"	2 1/4"	3/8"	
-	FZ Ta FS	.0001"	.010"	0-10	.025"	2 1/4"	3/8"	Fixing screw
-	FZ Ta LB	.0001"	.010"	0-10	.025"	2 1/4"	3/8"	Lug back
-	FZ Tb	.0001"	.010"	0-5-0	.025"	2 1/4"	3/8"	
-	FZ Tb FS	.0001"	.010"	0-5-0	.025"	2 1/4"	3/8"	Fixing screw
-	FZ Tb LB	.0001"	.010"	0-5-0	.025"	2 1/4"	3/8"	Lug back
62	FZ 1101	.00005"	.005"	0-50	.040"	2 1/4"	3/8"	Shockproof
-	FZ 1101 FS	.00005"	.005"	0-50	.040"	2 1/4"	3/8"	Shockproof, fixing screw
-	FZ 1101 LB	.00005"	.005"	0-50	.040"	2 1/4"	3/8"	Shockproof, lug back
-	FZ/2,5 Sb	.0001"	.010"	0-5-0	.100"	2 1/4"	3/8"	Shockproof
-	FZ/2,5 Sb FS	.0001"	.010"	0-5-0	.100"	2 1/4"	3/8"	Shockproof, fixing screw
-	FZ/2,5 Sb LB	.0001"	.010"	0-5-0	.100"	2 1/4"	3/8"	Shockproof, lug back
-	SI-915 Z	.00005"	-	20-0-20	.004"	2 1/4"	3/8"	Error free
-	SI-915 Z FS	.00005"	-	20-0-20	.004"	2 1/4"	3/8"	Error free, fixing screw
-	SI-915 Z LB	.00005"	-	20-0-20	.004"	2 1/4"	3/8"	Error free, lug back

All the types of the above table have measurements equivalent to the American Standard ANSI B 89. 1/10M-2001. These instruments have a stem-Ø of 3/8", the thread for the feeler is 4/48 NF.

In standard execution the Dial Gauges will be delivered without fixing device for the bezel and flat back. At extra charge executions with fixing screw as well as lug back are available. Please add the type code FS for fixing screw resp. LB for lug back should you require the Dial Gauge with these features. Extra charges can be found in our price list below the listing of Inch Dial Gauges.

Additional accessories are available for Inch Dial Gauges:

- Offset lug back
- Screw type back
- Special feelers (see pages 81 and 82)

Inch reading Dial Gauges are also available with a stem-Ø 8 mm h 6 and a thread M 2,5. For details of this Dial Gauge Series please see the table on page 53.

Small Inch Dial Gauges KZ 4/5 Sb and KZ 3/5 Sb

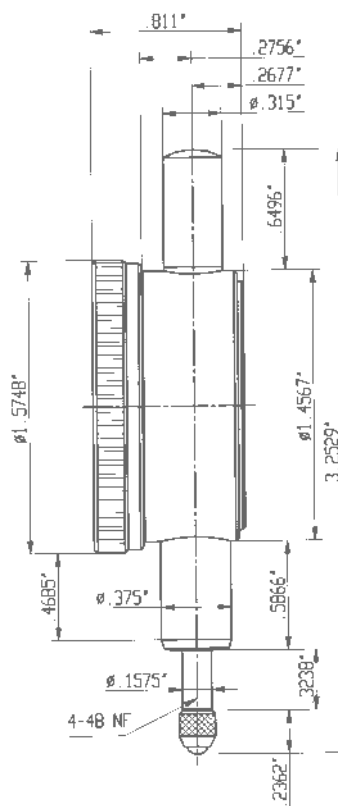
to ANSI standard, shockproof

The high-class impact protection of the Inch Dial Gauges KZ 4/5 Sb and KZ 3/5 Sb results in an exceptionally long service life. A gear rack sleeve covering the length of the spindle is arranged and sprung in such a way that the shocks against the measuring insert are not transferred to the measuring gear. The Dial Gauges are robust in operation. Their precision is maintained with practically no limitations.

Spindle and stem are made of resistant stainless steel.

Small Inch Dial Gauge KZ 4/5 Sb shockproof	
Reading	.001"
Range	.200"
Range per revolution	.100"
Dial reading	0-50-0
Bezel-Ø	1 9/16"
Stem-Ø	3/8"
Dimensions and accuracy according to	ANSI
Spindle	lapped
Dimensioned drawing	page 59

Small Inch Dial Gauge KZ 3/5 Sb shockproof	
Reading	.0005"
Range	.200"
Range per revolution	.040"
Dial reading	0-20-0
Bezel-Ø	1 9/16"
Stem-Ø	3/8"
Dimensions and accuracy according to	ANSI
Spindle	lapped
Dimensioned drawing	page 59



On model KZ 3/5 Sb the spindle is shorter by .0285" thus reducing the overall length to 3.2244" from 3.2529".

Inch Dial Gauge Z 2/8 SNb

to ANSI standard, shockproof

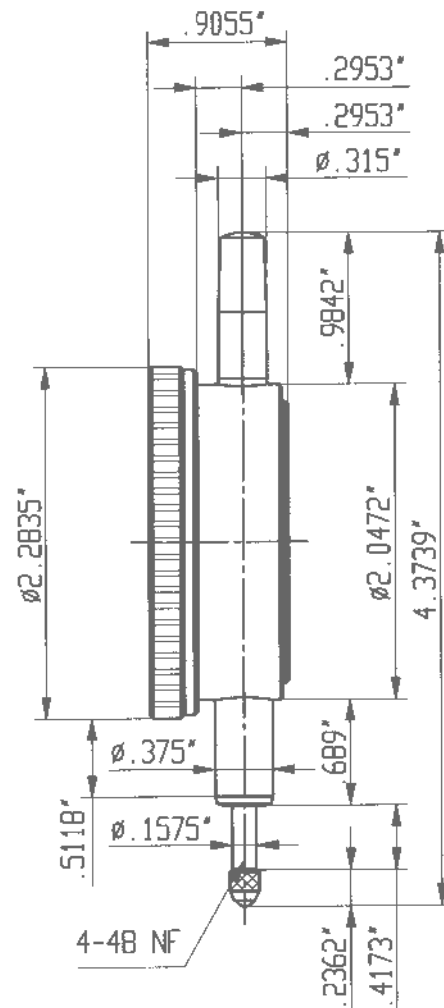
With this shockproof series, a product of our extensive design expertise, we offer an accurate, reliable and long-lasting Dial Gauge.

A gear rack sleeve covering the length of the spindle is arranged and sprung in such a way that the shocks against the measuring insert are not transferred to the measuring gear. The Dial Gauge is robust in operation. Its precision is maintained with practically no limitations.

Spindle and stem are made of resistant stainless steel.

Inch Dial Gauge Z 2/8 SNb shockproof

Reading	.001"
Range	.312"
Range per revolution	.100"
Dial reading	0-50-0
Bezel-Ø	2 1/4"
Stem-Ø	3/8"
Dimensions and accuracy according to	ANSI
Spindle	lapped
Dimensioned drawing	page 60



Inch Dial Gauge Z 2/30 Ta

to ANSI standard

The concentric millimetre pointer allows an easy and safe reading of these Dial Gauges. The carefully thought out design, the use of selected components and materials as well as the movement perfected by precision engineering guarantee reliable measuring results and a long service life of the Precision Dial Gauges Z 2/30 Ta and Z 3/30 Ta.

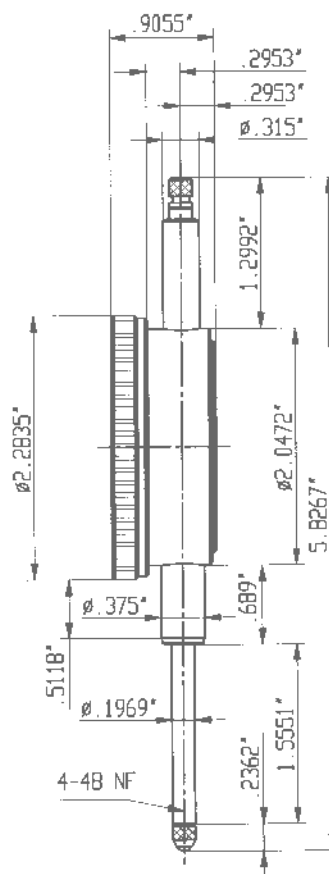
The essential parts of the movement are jewelled.
Spindle and stem are made of resistant stainless steel.

Inch Dial Gauge Z 2/30 Ta	
Reading	.001"
Range	1"
Range per revolution	.100"
Dial reading	0-100
Bezel-Ø	2 1/4"
Stem-Ø	3/8"
Dimensions and accuracy according to	ANSI
Spindle	lapped
Dimensioned drawing	page 61

Inch Dial Gauge Z 3/30 Ta

to ANSI standard

Inch Dial Gauge Z 3/30 Ta	
Reading	.0005"
Range	1"
Range per revolution	.050"
Dial reading	0-50
Bezel-Ø	2 1/4"
Stem-Ø	3/8"
Dimensions and accuracy according to	ANSI
Spindle	lapped
Dimensioned drawing	page 61



Inch Dial Gauge Feinika FZ 1101

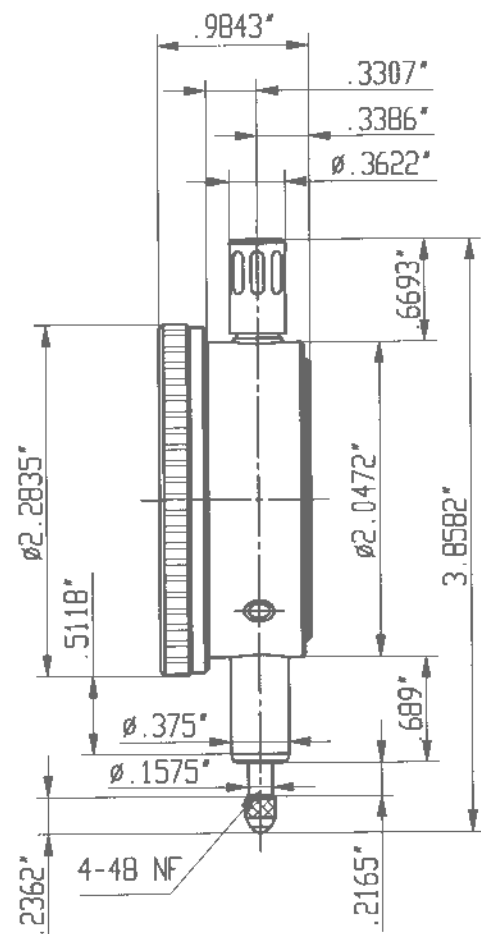
shockproof

With our series of Feinika High Precision Dial Gauges the travel of the plunger is transmitted and magnified by means of a lever device to the hand. This lever transmission of the movement has two advantages. It provides extremely high accuracy, as well as an effective shockproof system.

Spindle and stem are made of resistant stainless steel.

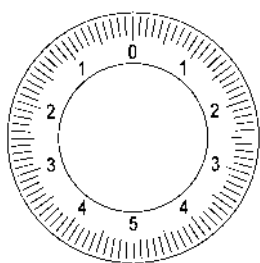
Inch Dial Gauge Feinika FZ 1101 shockproof

Reading	.00005"
Range	.040"
Range per revolution	.005"
Dial reading	0-50
Bezel-Ø	2 1/4"
Stem-Ø	3/8"
Accuracy	
according to works standard	0.0500.9.0010, edition 2003
Spindle	lapped
Dimensioned drawing	page 62

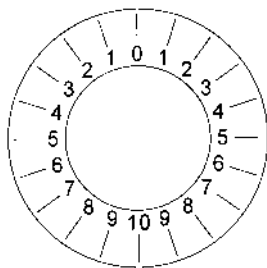




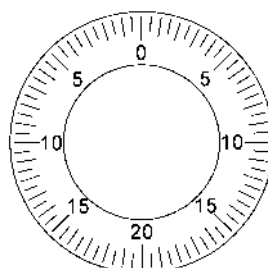
Dial Numbering of Inch Reading Dial Gauges to ANSI



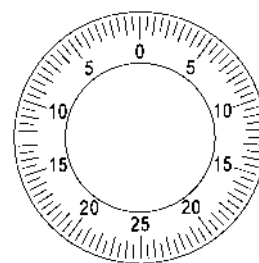
0-5-0 reading .0001"
KFZ Tb, KFZ3 Sb, FZ Tb,
FZ 2,5 Sb



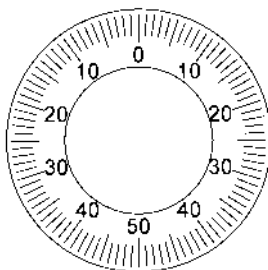
0-10-0 reading .001"
KZ 4/5 Rb



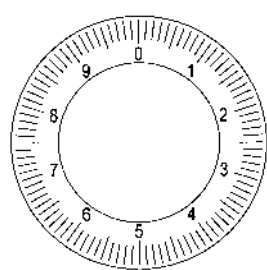
0-20-0 reading .0005"
KZ 3/5 Sb, Z 3/0,4 SNb



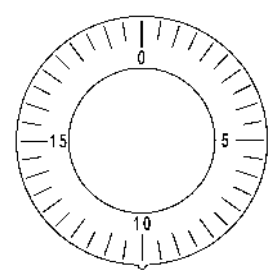
0-25-0 reading .0005"
Z3 Tb, Z 3/5 Rb



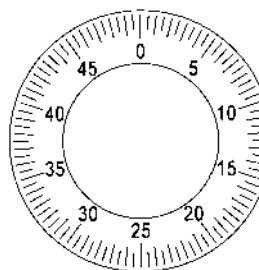
0-50-0 reading .001"
KZ 4/5 Sb, KZ 4/5 SWb,
Z 1 Tb, Z 2 Tb, Z 2/8 SNb



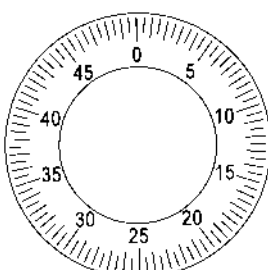
0-10 reading .0001"
FZ Ta



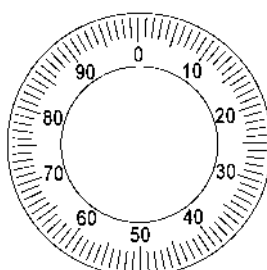
0-20 reading .0005"
KZ 6 T



0-50 reading .0005"
Z 3 Ta, Z 3/30 Ta, Z 3/50 Ta
Z 3 SNW



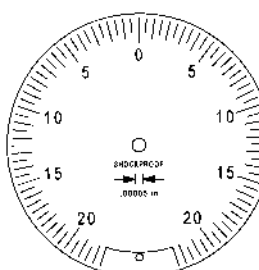
0-50 reading .00005"
KFZ 1101, FZ 1101



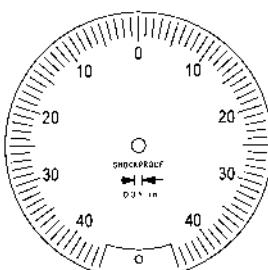
0-100 reading .001"
Z 1 Ta, Z 2 Ta, Z 2/30 Ta,
Z 2/50 Ta, Z 2/100 Ta,
GZ 80/100 T



10-0-10 reading .0005"
KZ 3 SI, FZ 3 SI



20-0-20 reading .00005"
SI - 914 Z, SI - 915 Z



40-0-40 reading .001"
KZ4 SI, Z 2 SI

All models bearing the same prefix but with a suffix identifying a special execution (i.e. FS for fixing screw or LB for lug back) have the same dial numbering as the illustrated basic models.

Ideal for use in measuring fixtures

Small Inch Dial Gauge KZ 4/5 Rb

with back plunger

Inch Dial Gauge Z 3/5 Rb

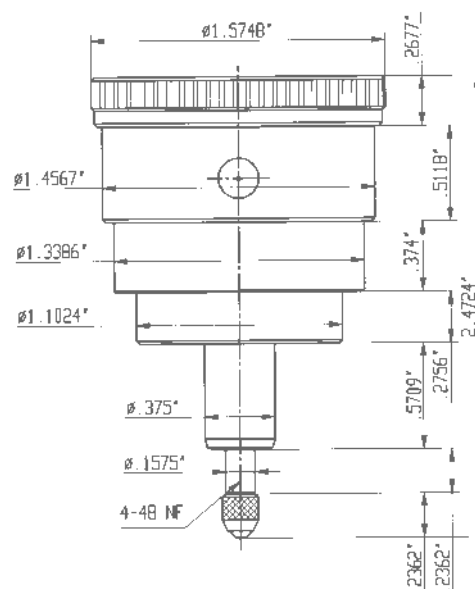
with back plunger

The models with back plunger provide the designer with new construction possibilities. They allow positioning with optimal read-out facility. These models can be held either on the stem $\varnothing \frac{3}{8}$ " or on the 1.1024" diameter spigot.

Spindle and stem are made of resistant stainless steel.

Small Inch Dial Gauge KZ 4/5 Rb with back plunger	
Reading	.001"
Range	.200"
Range per revolution	.020"
Dial reading	0-10-0
Bezel- \varnothing	1 $\frac{9}{16}$ "
Stem- \varnothing	$\frac{3}{8}$ "
Accuracy	
according to works standard	0.0500.9.0007, edition 2003
Spindle	lapped
Dimensioned drawing	page 64

Inch Dial Gauge Z 3/5 Rb with back plunger	
Reading	.0005"
Range	.200"
Range per revolution	.050"
Dial reading	0-25-0
Bezel- \varnothing	2 $\frac{1}{4}$ "
Stem- \varnothing	$\frac{3}{8}$ "
Accuracy	
according to works standard	0.0500.9.0007, edition 2003
Spindle	lapped
Dimensioned drawing	on request



Error Free Inch Dial Gauge Z2 SI

to ANSI, with overtravel, shockproof

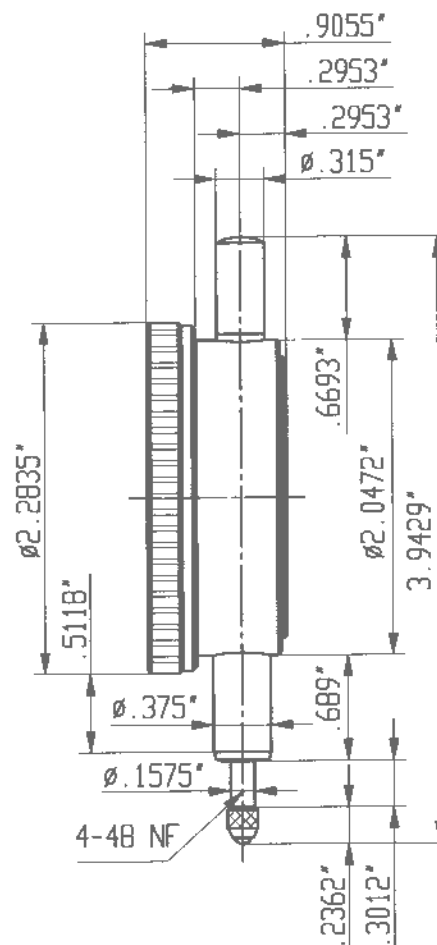
In order to avoid reading errors the measuring ranges of our Error Free Dial Gauges series ,SI' are limited to slightly less than one revolution of the hand. Therefore a measurement can only be performed within the range of one revolution of the hand guaranteeing an error free reading of the Dial Gauges.

The high-class impact protection of the Error Free Dial Gauge Z2 SI results in an exceptionally long service life. A gear rack sleeve covering the length of the spindle is arranged and sprung in such a way that the shocks against the measuring insert are not transferred to the measuring gear.

Spindle and stem are made of resistant stainless steel.

Error Free Inch Dial Gauge Z2 SI shockproof, with overtravel

Reading	.001"
Range	.080"
Overtravel	.1568"
Bezel-Ø	2 1/4"
Stem-Ø	3/8"
Dimensions and accuracy according to	ANSI
Spindle	lapped
Dimensioned drawing	page 65



The above dimensioned drawing also applies to model FZ 3 SI which is not shown in this catalogue.

Inch Dial Gauge Z3 SNW

waterproof, shockproof

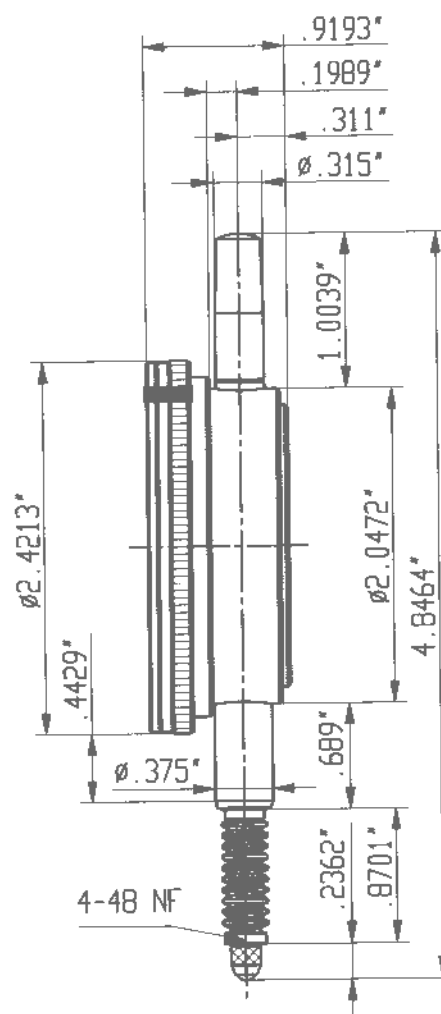
The technical features of our waterproof Inch Dial Gauges are the same as for the metric models on page 47 of this catalogue.

When changing the measuring insert attention has to be paid that the spacer disc between the measuring insert and the rubber bellows is put back again. Otherwise the Dial Gauge is no longer sealed against the ingress of contamination.

Spindle and stem are made of resistant stainless steel.

Inch Dial Gauge Z3 SNW waterproof, shockproof

Reading	.0005"
Range	.400"
Range per revolution	.050"
Bezel-Ø	2 ²⁷ / ₆₄ "
Stem-Ø	3/ ₈ "
Dimensions and accuracy according to	ANSI
Spindle	lapped
Dimensioned drawing	page 66



Additional Equipment for Mechanical Dial Gauges

Locking screw

The knurled bezel on Dial Gauges can be turned with the outer dials. This allows zero point adjustment.

In order to avoid unintentional adjustment, Dial Gauges can be supplied with locking plate and knurled screw at extra charge for the purpose of locking the bezel.

Following Dial Gauges are available with the locking screw:

- range not greater than 80 mm
- no model of the X series
- bezel-Ø 40 or 58 mm

Retrofitting of this device to existing Dial Gauges is not possible.

Slave Pointer

On Dial Gauges with slave pointer facility, the displayed measured value remains visible after the dial gauge pointer returns to its original setting, because the additional pointer dragged along with it stays at the position from where the main pointer returns.

It must be noted that the slave pointer facility is only effective within one pointer revolution.

Following Dial Gauges without concentric small hands are available with a slave pointer device:

- reading 0,1 or 0,01 mm
- not shockproof
- bezel Ø 40 or 58 mm

Retrofitting of this device to existing Dial Gauges is possible.

Lifting Device

The lifting lever permits quick lifting of the spindle. The lever itself can be swivelled and permits its use in the most comfortable position.

Lifting devices are available in 2 sizes for Small Dial Gauges with 40 mm Ø and for standard Dial Gauge models with 58 mm Ø.

Following Dial Gauges are available with lifting device:

- range up to 10 mm
- bezel Ø 40 or 58 mm

Retrofitting of this device is possible on condition that the Dial Gauge is not fitted with a protection sleeve and that it is not a model of the X-series.

Lifting devices for Dial Gauges with 30 mm range are available on request.



Additional Equipment for Mechanical Dial Gauges



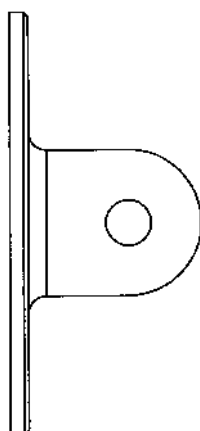
Magnetic Back

Magnetic backs allow Dial Gauges to be used without a holder and without a stand. The magnet, made of sinter metal does in no way affect the mechanism of the Dial Gauge.

Magnetic backs are available in 2 sizes for the following Dial Gauges:

- Dial Gauges with 40 mm (1 9/16") Ø
- Dial Gauges with 58 mm (2 1/4") Ø or larger

Retrofitting of magnetic backs is possible.



Lug Back

Lug backs are available in 3 sizes for:

- Dial Gauges with 32 mm (1 13/50") Ø
- Dial Gauges with 40 mm (1 9/16") Ø
- Dial Gauges with 58 mm (2 1/4") Ø or larger.

The standard bore diameter in the fixing lug is 5 mm. Delivery of Dial Gauges conforming to American standards with 1/4" bore diameter. On request a bore diameter of 6 mm is also possible.

Retrofitting of lug backs is possible.

Offset lug backs are available on request.

Special Backs

All standard type Dial Gauges will be delivered with flat backs. Delivery of special back executions on request. Retrofitting is possible.

Post type backs with post Ø 12,7 mm (.500")

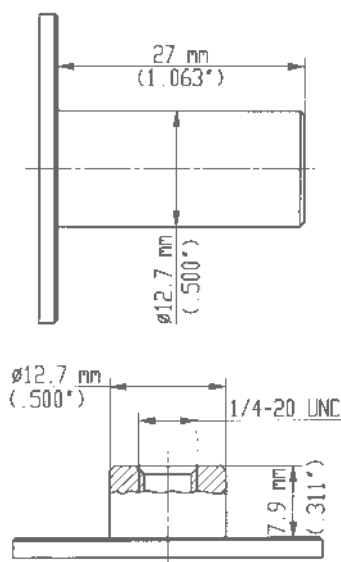
- a) Back with drawing number 020603/2 is for models AGD1 (40 mm Ø)
- b) Back with drawing number 020603/1 is for models AGD 2 (58 mm Ø)

Screw type backs with female thread 1/4-20UNC

- a) Back with drawing number 020603/4 is for models AGD1 (40 mm Ø)
- b) Back with drawing number 020603/3 is for models AGD 2 (58 mm Ø)

Back with adjustable bracket

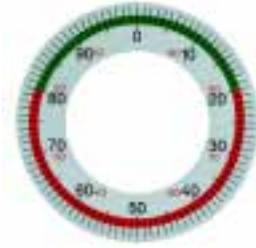
- a) Back with drawing number 020308/3 is for models AGD 2 (58 mm Ø)



Special Dials for mechanical Dial Gauges

Dials with coloured tolerance segments

The colours red, green and yellow are available. Please indicate in your order text what segments of the dial should be marked red, green or yellow.



Dials for anti-clockwise reading

Unless otherwise stated on the order both the inner and outer dials are supplied for anti-clockwise reading.



Balanced Dials

Unless otherwise stated on the order only the outer dial is supplied with balanced numbers. The inner dial is supplied with numbers for clockwise reading.



Custom-made Dials

We can supply custom-made dials with special logos, with special numbers, with special imprints and in special colours. Both the inner and outer dials can be supplied in custom-made versions.



Special dials are available for many models but not for all Dial Gauges. Please request our offers.

EXTRACTS OF WORKS STANDARDS FOR METRIC DIAL GAUGES

Works standard	Edition	Field of application	Span of error	Range	Maximum value
0.0100.9.0004	2 / 1990	Dial Gauges with 0,1 mm reading	Span of error ft	1 mm	25 µm
			Span of error fe	up to 30 mm	40 µm
				50 mm	45 µm
				80 mm	50 µm
				100 mm	50 µm
		Hysteresis fu		15 µm	
		Repeatability fw		15 µm	
0.0200.9.0006	1 / 1991	Dial Gauges with 0,01 mm reading and back plunger	Span of error ft	0,1 mm	5 µm
			Span of error fe	up to 3 mm	12 µm
				5 mm	17 µm
			Span of error fges	up to 3 mm	15 µm
				5 mm	20 µm
			Hysteresis fu	up to 3 mm	5 µm
		5 mm	8 µm		
		Repeatability fw		5 µm	
0.0500.9.0001	4 / 2001	High Precision Dial Gauges with 0,001 mm reading and 0,002 mm reading	Span of error ft	0,1 mm	3 µm
			Span of error fe	0,16 mm	3 µm
				1 mm	5 µm
				5 mm	10 µm
			Span of error fges	0,16 mm	4 µm
				1 mm	7 µm
				5 mm	12 µm
			Hysteresis fu		3 µm
		Repeatability fw		3 µm	
Some values may differ on Large Dial Gauges					
0.0500.9.0010	1 / 2001	High Precision Dial Gauges FEINIKА with 0,001 mm reading and 0,002 mm reading	Span of error ft	0,01 mm	1 µm
			Span of error fe	0,08 mm	2 µm
				0,16 mm	2 µm
				1 mm	3 µm
			Span of error fges	0,08 mm	3 µm
				0,16 mm	3 µm
				1 mm	4 µm
Hysteresis fu		1,5 µm			
		Repeatability fw		1,5 µm	
1.0200.9.0002	3 / 2000	Dial Gauges with 0,01 mm reading and range > 30 mm	Span of error ft	0,1 mm	5 µm
			Span of error fe	50 mm	25 µm
				80 mm	30 µm
				100 mm	35 µm
			Span of error fw	up to 80 mm	3 µm
				100 mm	5 µm
Some values may differ on Large Dial Gauges					
1.0200.9.0014	2000	Dial Gauges with 0,01 mm reading and ranges 20 – 30 mm	Span of error ft	0,1 mm	5 µm
			Span of error fe		20 µm
			Span of error fges		25 µm
			Hysteresis fu		5 µm
			Repeatability fw		3 µm
			Some values may differ on Large Dial Gauges		

Works standards for Dial Gauges MU 28 (0.0200.9.0012) and SI-18 (0.4223.9.0008) and for Inch Dial Gauges on request.

Digital Dial Gauge MDMV 12 T

Accessories for MDMV 12 T



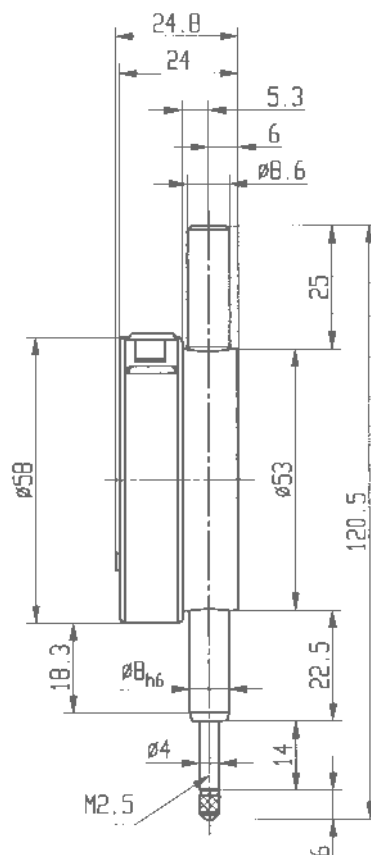
The compact construction and the well placed operating keys permit versatile application and simple operation.

Following functions of the Digital Dial Gauge MDMV 12 T can be used:

- Zero setting
- Data transmission
- Reversal of measuring direction
- mm/inch selection
- Preset of any value
- Data output Opto RS 232C or Digimatic

Digital Dial Gauge MDMV 12 T	
Resolution	0,01 mm / .0005"
Range	12,5 mm / .5"
Digital display LCD, height of digits	8,5 mm
Measuring system	capacitive
Power supply	on battery 3 V, CR 2032
Battery life	2 years
Output	Opto RS 232 or Digimatic
Measuring force	0,7 – 1,1 N
Working temperature	+10°C – +40°C
Maximum error	20 µm / .001"
Dimensioned drawing	page 71

Accessories for MDMV 12 T	
Data connection cable Opto RS232C with SUB-D jack 9-pin	DCMV 232
Data connection cable Digimatic with flat connector 10-pin	DCMV DIGIMATIC
Battery 3V, type CR 2032	BCR 2032
Contact points	see pages 79 – 80



Digital Dial Gauge MD 12 T

Digital Dial Gauge FMD 12 T

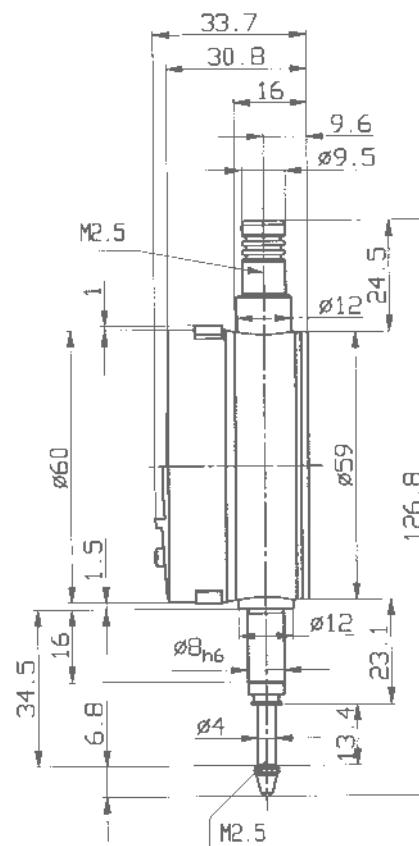
The digital display with its large numerals makes it very simple to use this Dial Gauge. Function and display section can be rotated through 270°. The sturdy construction guarantees precision and reliability.

Following functions of the Digital Dial Gauges MD 12 T and FMD 12 T can be used:

- Zero setting
- mm/inch selection
- Memory set Hold
- Data transmission
- Ref I / Ref II
- Preset value recall
- Selection of measuring direction
- Selection of reading (only FMD 12 T)
- Data request by any ASCII Code

Digital Dial Gauge MD 12 T	
Resolution	0,01 mm / .0005"
Range	12,5 mm / .5"
Digital display LCD, height of digits	8,5 mm
Measuring system	inductive
Power supply	on Lithium battery 3 V
Battery life	3000 h
Output	RS 232, optoelectronic
Working temperature	+5 °C – +40 °C
Maximum error	20 µm / .0008"
Dimensioned drawing	page 72

Digital Dial Gauge FMD 12 T	
Resolution	0,001 mm / .00005"
Range	12,5 mm / .5"
Digital display LCD, height of digits	8,5 mm
Measuring system	inductive
Power supply	on Lithium battery 3 V
Battery life	3000 h
Output	RS 232, optoelectronic
Working temperature	+5 °C – +40 °C
Maximum error	5 µm / .0002"
Dimensioned drawing	page 72



Digital Dial Gauge MD 25 T

Digital Dial Gauge FMD 25 T



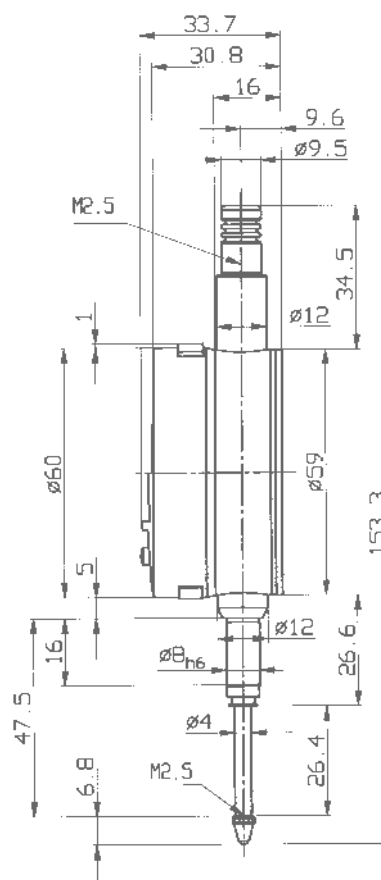
The digital display with its large numerals makes it very simple to use this Dial Gauge. Function and display section can be rotated through 270°. The sturdy construction guarantees precision and reliability.

Following functions of the Digital Dial Gauges MD 25 T and FMD 25 T can be used:

- Zero setting
- mm/inch selection
- Memory set Hold
- Data transmission
- Ref I / Ref II
- Preset value recall
- Selection of measuring direction
- Selection of reading (only FMD 25 T)
- Data request by any ASCII Code

Digital Dial Gauge MD 25 T	
Resolution	0,01 mm / .0005"
Range	25 mm / 1"
Digital display LCD, height of digits	8,5 mm
Measuring system	inductive
Power supply	on Lithium battery 3 V
Battery life	3000 h
Output	RS 232, optoelectronic
Working temperature	+5 °C – +40 °C
Maximum error	20 µm / .0008"
Dimensioned drawing	page 73

Digital Dial Gauge FMD 25 T	
Resolution	0,001 mm / .00005"
Range	25 mm / 1"
Digital display LCD, height of digits	8,5 mm
Measuring system	inductive
Power supply	on Lithium battery 3 V
Battery life	3000 h
Output	RS 232, optoelectronic
Working temperature	+5 °C – +40 °C
Maximum error	5 µm / .0002"
Dimensioned drawing	page 73



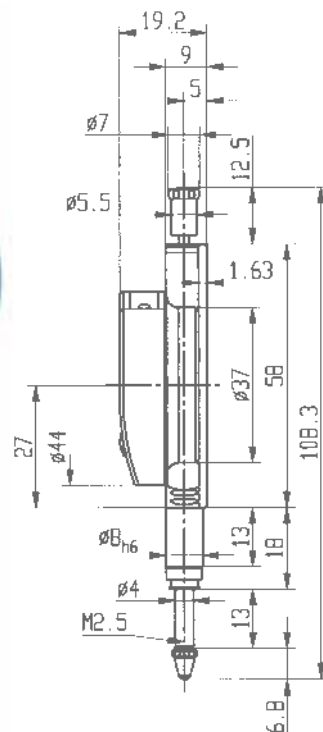
Small Digital Dial Gauge KMD 12 T

Following functions of the Small Digital Dial Gauge KMD 12 T can be used:

- Zero setting
- mm/inch selection
- Absolute / relative mode
- Preset value recall
- Data transmission
- Selection of measuring direction

The dovetail at the rear offers an additional fixing option.

The standard feeler can be exchanged for specially styled feelers as listed on pages 79 and 80.



Small Digital Dial Gauge KMD 12 T

Resolution	0,01 mm/.0005"
Range	12,5 mm/.5"
Digital display LCD, height of digits	6 mm
Measuring system	inductive
Power supply	on Lithium battery 3 V
Battery life	5000 h
Output	RS 232, with external power supply
Working temperature	+5 °C – +40 °C
Maximum error	20 µm/.0008"
Dimensioned drawing	page 74

Summary of important technical data of other Digital Dial Gauges and accessories

Digital Dial Gauges	Resolution	Range	Bezel-Ø	Stem-Ø	Maximum error	Data cable	Special feature
KMD 12 T wa	0,01 mm	12,5 mm	44 mm	8 h 6	20 µm	DCKMD 232	water protected
FKMD 12 T	0,001 mm	12,5 mm	44 mm	8 h 6	5 µm	DCKMD 232	
MD 50 T	0,01 mm	50 mm	60 mm	8 h 6	20 µm	DCMD 232	
FMD 50 T	0,001 mm	50 mm	60 mm	8 h 6	8 µm	DCMD 232	
MD 100 T	0,01 mm	100 mm	60 mm	8 h 6	20 µm	DCMD 232	
FMD 100 T	0,001 mm	100 mm	60 mm	8 h 6	9 µm	DCMD 232	
DK 30	0,001 mm	0,8 mm	44 mm	-	10 µm	DCKMD 232	model lever type

Accessories	Model	Technical features	Suitable for model
Data cable	DCMV 232	2m long, SUB-D jack 9-pin	MDMV 12 T
Data cable	DCMV DIGIMATIC	2m long, flat connector 10-pin	MDMV 12 T
Data cable	DCMD 232	Max. 15 m, standard 2m long, SUB-D jack 9-pin/F	MD 12 T, MD 25 T, MD 50 T, MD 100 T FMD12T, FMD25T, FMD50T, FMD100T
Data cable	DCKMD 232	Max. 15 m, standard 2m long, SUB-D jack 9-pin/F; power supply	KMD 12 T, KMD 12 Twa, FKMD 12 T, DK 30
Battery	BCR 2032	Lithium 3V type CR 2032	For all Digital Gauges

The cable for data transmission is not included in the scope of supply of Digital Dial Gauges but has to be ordered separately.

Comparator Gauges Compika

The Comparator Gauges Compika offer a high degree of security and precision. They are based on a solid and well thought-out construction taking into account the latest technology. They are manufactured by the most up-to-date methods.

A cable release is supplied with each Comparator Gauge free.

The following quality features characterize our manufacturing programme of Comparator Gauges Compika:

- Their design conforms to the requirements of DIN 879-1. This applies not only to the dimensions but also to permitted spans of error, hysteresis and measuring pressure.
- Effective shockproof system.
- Pinions and shafts of the movement are jewelled.
- After removal of the safety cap the adjustment screw on top of the case allows simple and safe zero setting of the instrument over the total measuring range.
- A safety cap prevents unintentional turning of the fine adjustment facility.
- Stem and spindle are made of hardened stainless steel.
- The measuring spindles are very sensitive on account of their accurate guides.
- Additional overtravel assists with the insertion of workpieces into the measuring device.
- The clear scale is shadow free.
- The red tolerance markers are easy to recognize and to set.
- The measuring pressure is approximately 1 N. On request all models are available with a pressure of 0,5 N.

Summary of important technical details of Comparator Gauges Compika

Metric types	Reading	Range	Dial reading	Overtravel	Special feature
Compika 101, 101 B	0,01 mm	0,5 mm	25-0-25	2,5 mm	Shockproof
Compika 101 wa	0,01 mm	0,5 mm	25-0-25	2,5 mm	Water protected
Compika 505, 505 B	0,005 mm	0,2 mm	100-0-100	2,8 mm	Shockproof
Compika 502, 502 B	0,002 mm	0,2 mm	100-0-100	2,8 mm	Shockproof
Compika 1001, 1001 B	0,001 mm	0,1 mm	50-0-50	3,0 mm	Shockproof
Compika 1001 wa	0,001 mm	0,1 mm	50-0-50	3,0 mm	Water protected
Inch types	Reading	Range	Dial reading	Overtravel	Special feature
Compika 105 Z, 105 BZ	.0005"	.020"	10-0-10	.10"	Shockproof
Compika 502 Z, 502 BZ	.0002"	.008"	40-0-40	.11"	Shockproof
Compika 501 Z, 501 BZ	.0001"	.008"	40-0-40	.11"	Shockproof
Compika 1005 Z, 1005 BZ	.00005"	.004"	20-0-20	.12"	Shockproof

Types with order code 'B' have shortened measuring spindles. These can be used in most precision inside measuring instruments or measuring devices available on the market today.

Comparator Gauge Compika 1001

shockproof, with overtravel

The Comparator Gauge Compika 1001 is manufactured conforming to DIN 879-1.

The precisely guided measuring spindle and the use of selected materials make the Comparator Gauge Compika 1001 extremely wear-resistant.

Stem and spindle are made of resistant stainless steel.

Comparator Gauge Compika 1001 shockproof, with overtravel	
Reading	0,001 mm
Range	0,1 mm
Dial reading	50-0-50
Bezel-Ø	62 mm
Stem-Ø	8 h 6
Dimensions and accuracy according to	DIN 879-1
Spindle	lapped
Dimensioned drawing	page 78

Comparator Gauge Compika 1001 B

shockproof, with overtravel

The Comparator Gauge Compika 1001 B is identical to the model Compika 1001 except for the reduced protrusion of the measuring spindle beyond the stem of 6 mm instead of 14 mm. This gauge fits most precision inside measuring instruments and measuring devices available on the market.

Stem and spindle are made of resistant stainless steel.

Comparator Gauge Compika 1001 B shockproof, with overtravel	
Reading	0,001 mm
Range	0,1 mm
Dial reading	50-0-50
Bezel-Ø	62 mm
Stem-Ø	8 h 6
Dimensions and accuracy according to	DIN 879-1
Spindle	lapped
Dimensioned drawing	on request



If desired, the Comparator Gauges Compika are also available with special fittings:

- **Comparator Gauge Compika** with measuring force reduced to 0,5 N
- **Comparator Gauge Compika** with increased measuring force
- **Comparator Gauge Compika** with special dial
- **Comparator Gauge Compika** with stem length 85 mm

Please request our offers.

Comparator Gauge Compika 1001 wa

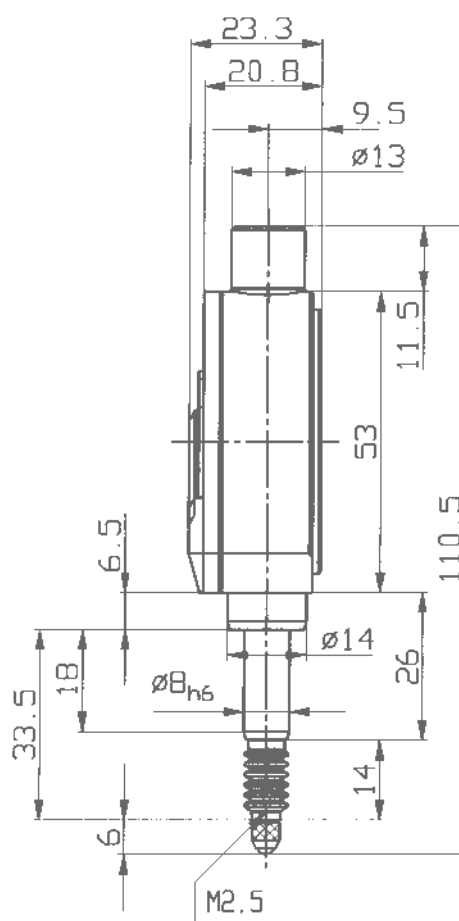
water protected, shockproof, with overtravel

The use of a water protected Comparator Gauge is recommended for applications in splash water environments. This execution, conforming to protection class IP 53, features the following:

- A flexible rubber bellows is fitted where the spindle enters the stem.
- The back is sealed with a rubber ring.

Comparator Gauge Compika 1001 wa water protected

Reading	0,001 mm
Range	0,1 mm
Dial reading	50-0-50
Bezel-Ø	62 mm
Stem-Ø	8 h 6
Dimensions and accuracy according to	DIN 879-1
Spindle	lapped
Dimensioned drawing	page 77



Comparator Gauge Compika 1005 Z

shockproof, with overtravel

The Comparator Gauge Compika 1005 Z is manufactured conforming to DIN 879-1.

The precisely guided measuring spindle and the use of selected materials make the Comparator Gauge Compika 1005 Z extremely wear-resistant.

Stem and spindle are made of resistant stainless steel.

Comparator Gauge Compika 1005 Z shockproof, with overtravel	
Reading	.00005"
Range	.004"
Dial reading	20-0-20
Bezel-Ø	2.44"
Stem-Ø	8 h 6
Dimensions and accuracy according to	DIN 879-1
Spindle	lapped
Dimensioned drawing	page 78



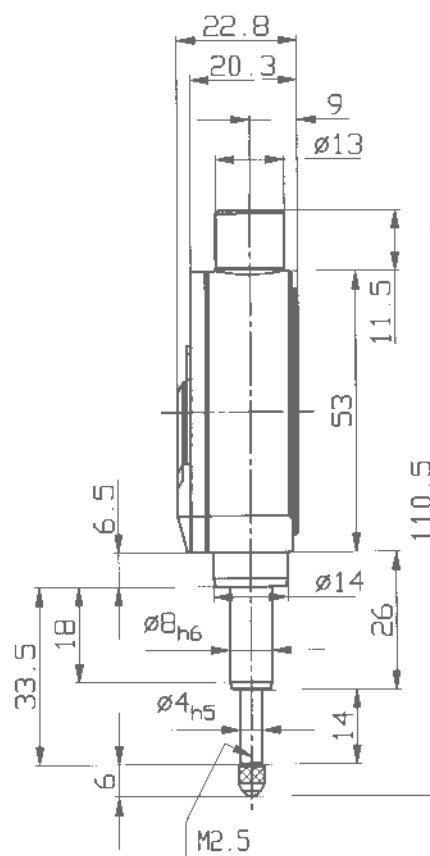
Comparator Gauge Compika 501 Z

shockproof, with overtravel

Comparator Gauges with Inch reading are also available as short version B. They have a measuring spindle shortened by 8 mm to protrude 6 mm beyond the stem. These gauges fit most precision inside measuring instruments and measuring devices available on the market.

Stem and spindle are made of resistant stainless steel.

Comparator Gauge Compika 501 Z shockproof, with overtravel	
Reading	.0001"
Range	.008"
Dial reading	40-0-40
Bezel-Ø	2.44"
Stem-Ø	8 h 6
Dimensions and accuracy according to	DIN 879-1
Spindle	lapped
Dimensioned drawing	page 78



Feelers for Dial Gauges and Comparator Gauges

with male thread M 2,5



573/70	573/10	573/11	573/12	573/13	573/13-60
573/14	573/14 L	573/15	573/16	573/17	573/17 L
573/18	573/19	573/20	573/20 E	573/21	573/22
573/23	573/24	573/24 E	573/25 E	573/26	Contact point to DIN 52450
573/27 E*	573/28 E	573/29 L	573/30 L	573/32	

*available with thread M 2,5 for feelers 573/18 Ø 1-6 mm or with thread M 1,6 for feelers for Dial Test Indicators (see page 88)

Extensions for feelers

Feelers with carbide, ruby or sapphire inserts for Dial Gauges and Comparator Gauges

with male thread M 2,5

Extensions for feelers

Dimension A: 4 mm (used at Dial Gauges with spindle Ø of 4 mm)

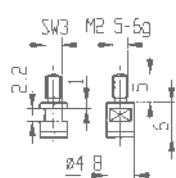
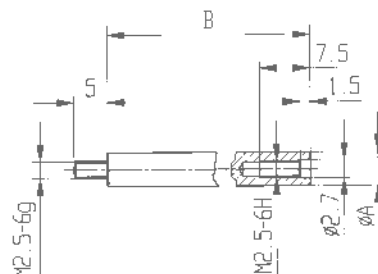
Dimension A: 5 mm (used at Dial Gauges with spindle Ø of 5 mm)

Dimension B available in the following standard lengths:

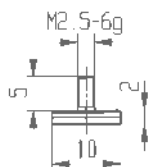
10, 15, 20, 25, 30, 35, 40, 45, 50, 55, 60, 65, 70, 75, 80, 85, 90, 95 and 100 mm

Special lengths are available

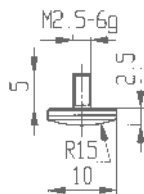
Feelers with carbide (H), ruby (R) or sapphire (S) inserts



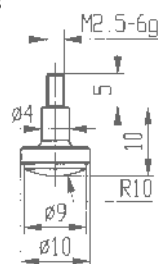
573/10 H



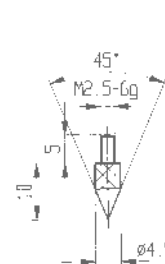
573/11 H



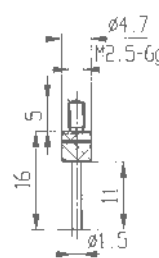
573/12 H



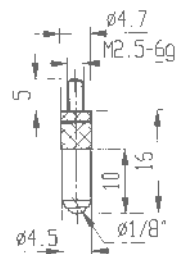
573/12-10 H



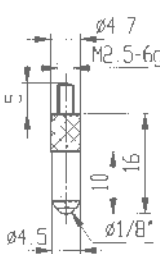
573/13 H



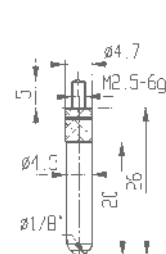
573/14 H



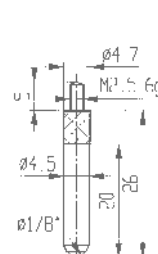
573/16 H



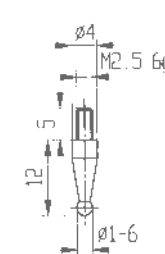
573/16 R/S



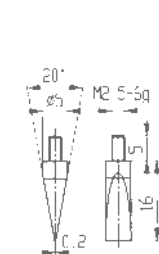
573/17 H



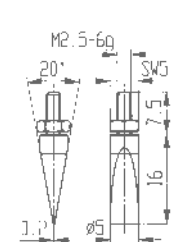
573/17 R/S



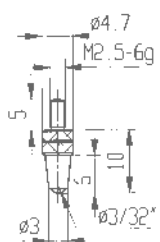
573/18 H



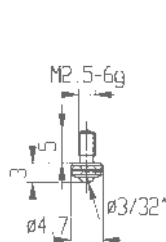
573/20 H



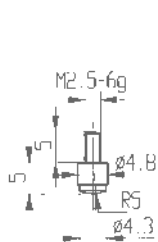
573/20 HE



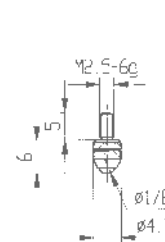
573/21 H



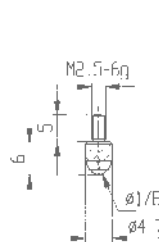
573/23 H



573/31 H



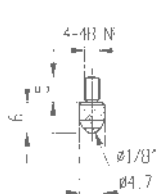
M2/70 H



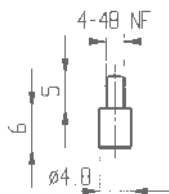
M2/70 R/S

Feelers for Dial Gauges

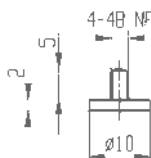
with male thread 4/48 NF



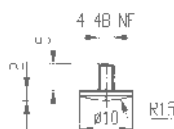
M2/70 Z



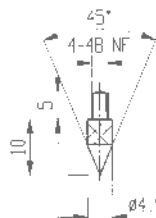
573/10 Z



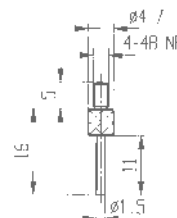
573/11 Z



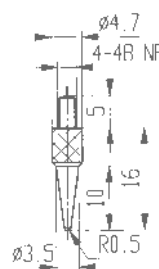
573/12 Z



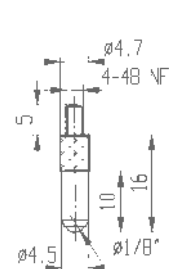
573/13 Z



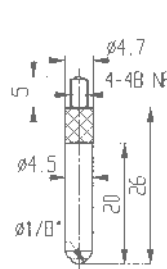
573/14 Z



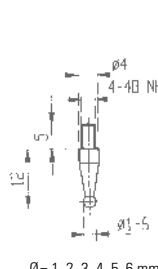
573/15 Z



573/16 Z

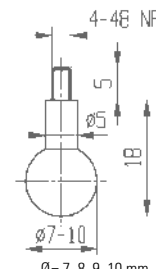


573/17 Z



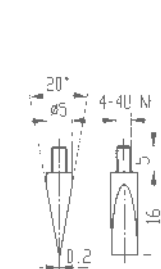
Ø = 1, 2, 3, 4, 5, 6 mm

573/18 Z

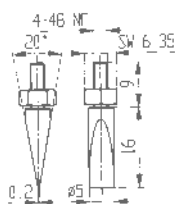


Ø = 7, 8, 9, 10 mm

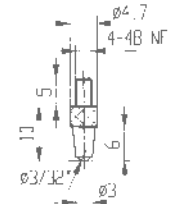
573/19 Z



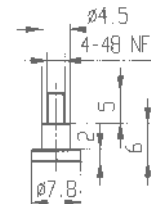
573/20 Z



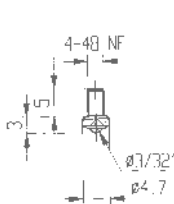
573/20 ZE



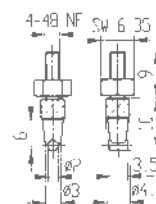
573/21 Z



573/22 Z



573/23 Z



573/24 ZE

Extensions for feelers

Feelers with carbide (HZ), ruby (RZ) or sapphire (SZ) inserts for Dial Gauges

with male thread 4/48 NF

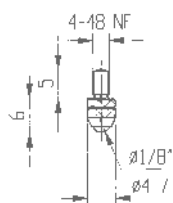
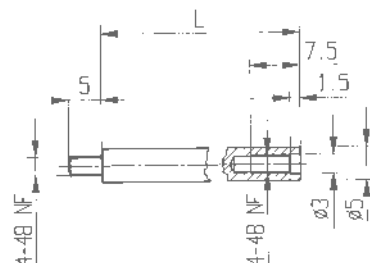
Extensions for feelers

Dimension L available in the following standard lengths:

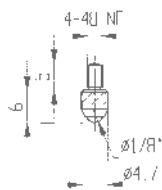
1"=25,4 mm, 2"=50,8 mm, 3"=76,2 mm, 4"=101,6 mm

Special lengths are available

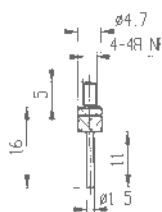
Feelers with carbide (HZ), ruby (RZ) or sapphire (SZ) inserts



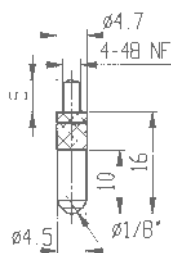
M2/70 HZ



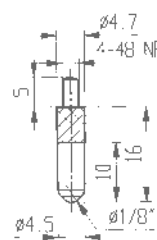
M2/70 RZ/SZ



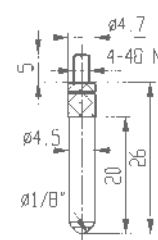
573/14 HZ



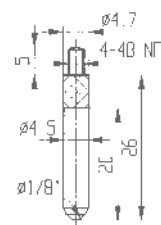
573/16 HZ



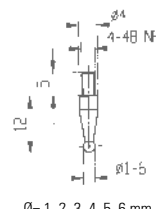
573/16 RZ/SZ



573/17 HZ

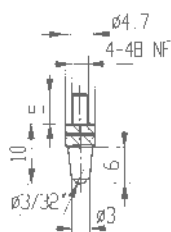


573/17 RZ/SZ

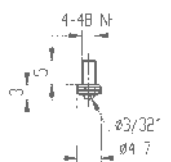


ø=1, 2, 3, 4, 5, 6 mm

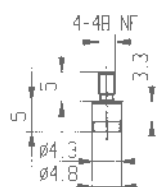
573/18 HZ



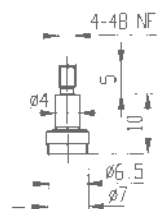
573/21 HZ



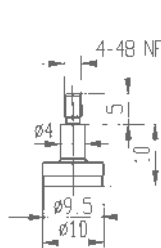
573/23 HZ



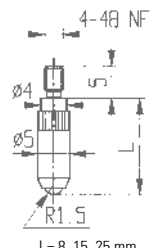
573/101 HZ



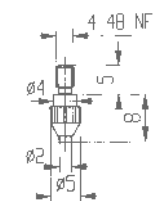
573/102 HZ



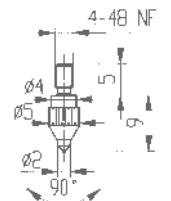
573/103 HZ



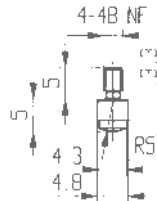
573/104 HZ L



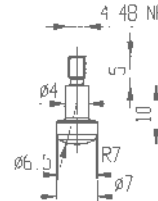
573/105 HZ



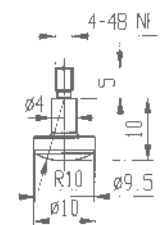
573/106 HZ



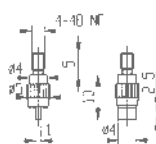
573/107 HZ



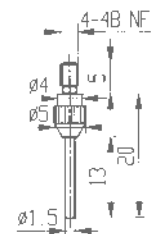
573/108 HZ



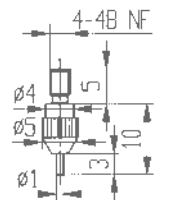
573/109 HZ



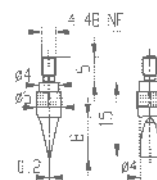
573/110 HZ-1



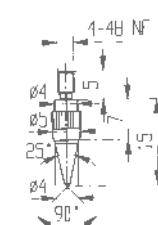
573/111 HZ



573/112 HZ-1



573/113 HZ



573/114 HZ

Dial Test Indicators

Most modern methods are applied in the production of our high quality Dial Test Indicators. They are both sensitive and shock-resistant. Here are some of the advantages applicable to the whole series:

- All features of the models reading up to 1 mm measuring range conform to DIN 2270. This applies to all deviation spans, the measuring force and the hysteresis error of the measuring force.
- Automatic change of the direction of measurement.
- Indication clockwise in all types.
- Precise components, running in ceramic bearings, warrant highest precision throughout.
- Precision bearing for the lever shaft.
- Body with 3 dovetail slides for clamping the stem and other equipment.
- Body hard-chromed in order to protect the dovetail slides against damage.
- Tungsten carbide ball 2 mm Ø in measuring inserts.
- Dial adjustable by knurled bezel.
- Supplied in tasteful boxes with transparent cover with 1 stem Ø 8 mm h 6 and 1 spanner for changing the feelers.

Technical data for metric Dial Test Indicators Lever Type

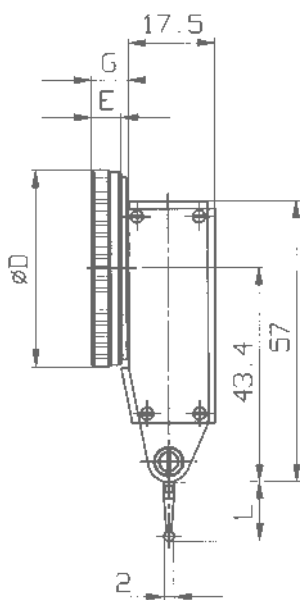
Type	Reading	Range	Dial reading	Bezel-Ø	Form to DIN 2270	Length of contact point
K 30	0,01 mm	0,8 mm	0-40-0	32 mm	A	12 mm
K 31	0,01 mm	0,8 mm	0-40-0	32 mm	B	12 mm
K 32	0,01 mm	0,8 mm	0-40-0	32 mm	C	12 mm
K 33	0,01 mm	0,5 mm	0-25-0	32 mm	A	35 mm
K 34	0,01 mm	0,5 mm	0-25-0	32 mm	B	35 mm
K 35	0,01 mm	0,5 mm	0-25-0	32 mm	C	35 mm
K 36	0,002 mm	0,2 mm	0-100-0	32 mm	A	12 mm
K 37	0,002 mm	0,2 mm	0-100-0	32 mm	B	12 mm
K 38	0,002 mm	0,2 mm	0-100-0	32 mm	C	12 mm
K 40	0,01 mm	0,8 mm	0-40-0	40 mm	A	12 mm
K 41	0,01 mm	0,8 mm	0-40-0	40 mm	B	12 mm
K 42	0,01 mm	0,8 mm	0-40-0	40 mm	C	12 mm
K 43	0,01 mm	0,5 mm	0-25-0	40 mm	A	35 mm
K 44	0,01 mm	0,5 mm	0-25-0	40 mm	B	35 mm
K 45	0,01 mm	0,5 mm	0-25-0	40 mm	C	35 mm
K 46	0,002 mm	0,2 mm	0-100-0	40 mm	A	12 mm
K 47	0,002 mm	0,2 mm	0-100-0	40 mm	B	12 mm
K 48	0,002 mm	0,2 mm	0-100-0	40 mm	C	12 mm
K 40/2	0,02 mm	2 mm	0-100-0	40 mm	A	35 mm

On request we can also supply models with 0,01 mm scale reading and the measuring range extended to 1 mm. The feeler length of these Dial Test Indicators is 16,6 mm. Please request our offers.

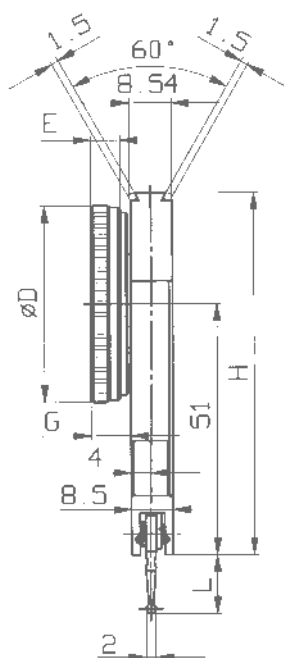
Inch Dial Test Indicators Lever Type see page 89.

Dimensioned drawings for Dial Test Indicators

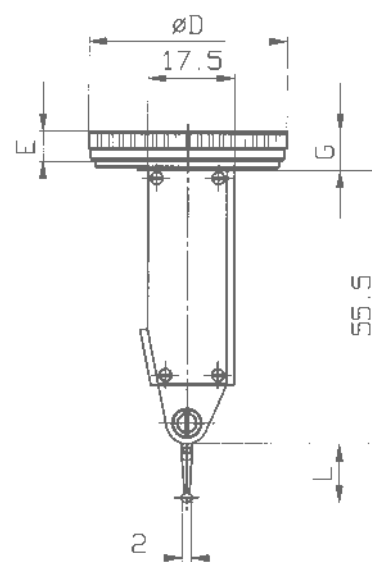
Dimensions						
Types	D	E	G	H	L	Form to DIN 2270
K 30, K 36	32 mm	5,6 mm	7,1 mm	–	12 mm	A
K 31, K 37	32 mm	5,6 mm	7,7 mm	69,5 mm	12 mm	B
K 32, K 38	32 mm	5,6 mm	7,5 mm	–	12 mm	C
K 33	32 mm	5,6 mm	7,1 mm	–	35 mm	A
K 34	32 mm	5,6 mm	7,7 mm	69,5 mm	35 mm	B
K 35	32 mm	5,6 mm	7,5 mm	–	35 mm	C
K 40, K 46	40 mm	6 mm	7,5 mm	–	12 mm	A
K 41, K 47	40 mm	6 mm	8,1 mm	73,5 mm	12 mm	B
K 42, K 48	40 mm	6 mm	7,9 mm	–	12 mm	C
K 43	40 mm	6 mm	7,5 mm	–	35 mm	A
K 44	40 mm	6 mm	8,1 mm	73,5 mm	35 mm	B
K 45	40 mm	6 mm	7,9 mm	–	35 mm	C
K 40/2	40 mm	6 mm	7,5 mm	–	35 mm	A



Form A DIN 2270



Form B DIN 2270



Form C DIN 2270

Dial Test Indicator K 30

Dial Test Indicator K 40

The friction clutch mechanism of these Dial Test Indicators provides a very effective shockproof system. Standard executions are equipped with contact points having a tungsten carbide ball of 2 mm diameter. On request contact points with ball diameters of 0,4 mm, 1 mm or 3 mm can be fitted. Also available are contact points with a 2 mm diameter ruby ball.

Standard equipment includes: 1 contact point with tungsten carbide ball 2 mm Ø, 1 stem 8 mm Ø and 1 spanner for changing the contact points.

Dial Test Indicator K 30	
Reading	0,01 mm
Range	0,8 mm
Dial reading	0-40-0
Bezel-Ø	32 mm
Form to DIN 2270	A
Dimensions and accuracy according to	DIN 2270
Length of contact point	12 mm
Swivelling range of contact point at 90° to the scale	240°
Dimensioned drawing	page 84

Dial Test Indicator K 40	
Reading	0,01 mm
Range	0,8 mm
Dial reading	0-40-0
Bezel-Ø	40 mm
Form to DIN 2270	A
Dimensions and accuracy according to	DIN 2270
Length of contact point	12 mm
Swivelling range of contact point at 90° to the scale	240°
Dimensioned drawing	page 84



Dial Test Indicators are also available with extended measuring ranges of 1 mm or 2 mm. Please request our offer for the types K 30/1, K 30/2, K 40/1 and K 40/2.

Dial Test Indicator K 37

These are instruments distinguished by high sensitivity and accuracy. They are used whenever especially high demands are made for accurate measurements of concentricity and run-out. Clearly defined scale divisions warrant easy, non-tiring use.

Standard equipment includes: 1 contact point with 2 mm \varnothing tungsten carbide ball, 1 stem 8 mm \varnothing and 1 spanner for changing the contact points.

Dial Test Indicator K 37	
Reading	0,002 mm
Range	0,2 mm
Dial reading	0-100-0
Bezel- \varnothing	32 mm
Form to DIN 2270	B
Dimensions and accuracy according to	DIN 2270
Length of contact point	12 mm
Swivelling range of contact point parallel to the scale	240°
Dimensioned drawing	page 84

Dial Test Indicator K 46

Dial Test Indicator K 46	
Reading	0,002 mm
Range	0,2 mm
Dial reading	0-100-0
Bezel- \varnothing	40 mm
Form to DIN 2270	A
Dimensions and accuracy according to	DIN 2270
Length of contact point	12 mm
Swivelling range of contact point at 90° to the scale	240°
Dimensioned drawing	page 84



Dial Test Indicator K 33

Dial Test Indicator K 45

The Dial Test Indicators K 33 and K 45 have a 35 mm long contact point which makes them suitable for difficult accessible applications.

Please make sure to use contact points with correct length because of the effect of the angle ratio of the Dial Test Indicator. Using contact points with incorrect length will result in measuring errors.

Standard equipment includes: 1 contact point with 2 mm \varnothing tungsten carbide ball, 1 stem 8 mm \varnothing and 1 spanner for changing the contact points.

Dial Test Indicator K 33	
Reading	0,01 mm
Range	0,5 mm
Dial reading	0-25-0
Bezel- \varnothing	32 mm
Form to DIN 2270	A
Dimensions and accuracy according to	DIN 2270
Length of contact point	35 mm
Swivelling range of contact point at 90° to the scale	240°
Dimensioned drawing	page 84

Dial Test Indicator K 45	
Reading	0,01 mm
Range	0,5 mm
Dial reading	0-25-0
Bezel- \varnothing	40 mm
Form to DIN 2270	C
Dimensions and accuracy according to	DIN 2270
Length of contact point	35 mm
Swivelling range of contact point perpendicular to the scale	240°
Dimensioned drawing	page 84



Accessories for metric Dial Test Indicators

Stems with dovetail:



2.4804 Ø 4 mm h6



2.4801 Ø 8 mm h6

Contact points thread M 1,6 length 12 mm



5.2297 Tungsten carbide ball Ø 0,4 mm



5.2282 Tungsten carbide ball Ø 1 mm



5.2281 Tungsten carbide ball Ø 2 mm



5.2283 Tungsten carbide ball Ø 3 mm



5.2296 Ruby ball Ø 2 mm

Contact points thread M 1,6 length 35 mm



5.2285 Tungsten carbide ball Ø 1 mm



5.2284 Tungsten carbide ball Ø 2 mm



5.2286 Tungsten carbide ball Ø 3 mm



5.2298 Ruby ball Ø 2 mm

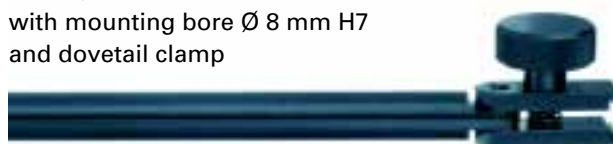
Centering Holder FH 8

Stem Ø 8 mm h6
with mounting bore Ø 4 mm H7 and dovetail clamp
Additional mounting bore Ø 8 mm H7



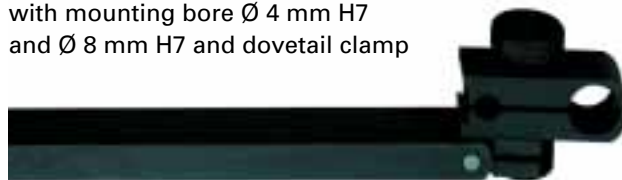
Round Holder FH 90

8 mm Ø x 90 mm
with mounting bore Ø 8 mm H7
and dovetail clamp



Square Holder 1.0958

6 x 12 x 80 mm
with mounting bore Ø 4 mm H7
and Ø 8 mm H7 and dovetail clamp



Spanner 3.1483



Inch Dial Test Indicators

Most modern methods are applied in the production of our high quality Dial Test Indicators. They are both sensitive and shock-resistant.

Here are some of the advantages applicable to the whole series of Inch reading models:

- All features of the models reading up to .04" measuring range conform analogous to the German Standard DIN 2270. This applies to all deviation spans, the measuring force and the hysteresis error of the measuring force.
- Automatic change of the direction of measurement.
- Indication clockwise in all types.
- Precise components, running in ceramic bearings, warrant highest precision throughout.
- Precision bearing for the lever shaft.
- Body with 3 dovetail slides for clamping the stem and other equipment.
- Body hard-chromed in order to protect the dovetail slides against damage.
- Contact points with tungsten carbide ball 2 mm Ø.
- Dial adjustable by knurled bezel.
- Supplied in tasteful boxes with transparent cover with 1 stem Ø 1/4" and 1 spanner for changing the feelers.

Technical data for Inch Reading Dial Test Indicators Lever Type

Type	Reading	Range	Dial reading	Bezel-Ø	Form to DIN 2270	Length of contact point
K 30 Z	.0005"	.030"	0-15-0	1 1/4"	A	.450"
K 31 Z	.0005"	.030"	0-15-0	1 1/4"	B	.450"
K 32 Z	.0005"	.030"	0-15-0	1 1/4"	C	.450"
K 33 Z	.0005"	.020"	0-10-0	1 1/4"	A	1.400"
K 34 Z	.0005"	.020"	0-10-0	1 1/4"	B	1.400"
K 35 Z	.0005"	.020"	0-10-0	1 1/4"	C	1.400"
K 36 Z	.0001"	.008"	0-4-0	1 1/4"	A	.490"
K 37 Z	.0001"	.008"	0-4-0	1 1/4"	B	.490"
K 38 Z	.0001"	.008"	0-4-0	1 1/4"	C	.490"
K 40 Z	.0005"	.030"	0-15-0	1 9/16"	A	.450"
K 41 Z	.0005"	.030"	0-15-0	1 9/16"	B	.450"
K 42 Z	.0005"	.030"	0-15-0	1 9/16"	C	.450"
K 43 Z	.0005"	.020"	0-10-0	1 9/16"	A	1.400"
K 44 Z	.0005"	.020"	0-10-0	1 9/16"	B	1.400"
K 45 Z	.0005"	.020"	0-10-0	1 9/16"	C	1.400"
K 46 Z	.0001"	.008"	0-4-0	1 9/16"	A	.490"
K 47 Z	.0001"	.008"	0-4-0	1 9/16"	B	.490"
K 48 Z	.0001"	.008"	0-4-0	1 9/16"	C	.490"

On request we can also supply models with .0005" scale reading and the measuring range extended to .04". Feeler length of these Dial Test Indicators is .665". Please request our offers.

Form A = Horizontal Type

Form B = Parallel Type

Form C = Vertical Type

Dial Test Indicator K 30 Z

Dial Test Indicator K 46 Z

The friction clutch mechanism of these Dial Test Indicators provides a very effective shockproof system. Standard executions are equipped with contact points having a tungsten carbide ball of 2 mm diameter. On request contact points with ball diameters 1 mm or 3 mm can be fitted.

Standard equipment includes: 1 contact point with tungsten carbide ball 2 mm Ø, 1 stem 1/4" Ø and 1 spanner for changing the contact points.

Dial Test Indicator K 30 Z	
Reading	.0005"
Range	.030"
Dial reading	0-15-0
Bezel-Ø	1 1/4"
Form to DIN 2270	A
Accuracy analogous to	DIN 2270
Length of contact point	.450"
Swivelling range of contact point at 90° to the scale	240°
Dimensioned drawing	same as K 30 on page 84, but L = .450"

Dial Test Indicator K 46 Z	
Reading	.0001"
Range	.008"
Dial reading	0-4-0
Bezel-Ø	1 9/16"
Form to DIN 2270	A
Accuracy analogous to	DIN 2270
Length of contact point	.490"
Swivelling range of contact point at 90° to the scale	240°
Dimensioned drawing	same as K 46 on page 84, but L = .490"



Dial Test Indicators are also available with measuring range extended to .04". Please request our offers for the models K 30/1 Z and K 40/1 Z.

Dial Test Indicator K 34 Z

Dial Test Indicator K 45 Z

The Dial Test Indicators K 34 Z and K 45 Z have a 1.4" long contact point which makes them suitable for difficult accessible applications.

Please make sure to use contact points with correct length because of the effect of the angle ratio of the Dial Test Indicator. Using contact points with incorrect length will result in measuring errors.

Standard equipment includes: 1 contact point with 2 mm Ø tungsten carbide ball, 1 stem 1/4" Ø and 1 spanner for changing the contact points.

Dial Test Indicator K 34 Z	
Reading	.0005"
Range	.020"
Dial reading	0-10-0
Bezel-Ø	1 1/4"
Form to DIN 2270	B
Accuracy analogous to	DIN 2270
Length of contact point	1.400"
Swivelling range of contact point parallel to the scale	240°
Dimensioned drawing	same as K 34 on page 84, but L = 1.400"

Dial Test Indicator K 45 Z	
Reading	.0005"
Range	.020"
Dial reading	0-10-0
Bezel-Ø	1 9/16"
Form to DIN 2270	C
Accuracy analogous to	DIN 2270
Length of contact point	1.400"
Swivelling range of contact point perpendicular to the scale	240°
Dimensioned drawing	same as K 45 on page 84, but L = 1.400"



Accessories for Inch Dial Test Indicators

Stems with dovetail



2.4807 $\varnothing 1/4''$ h6



2.4806 $\varnothing 3/8''$ h6

Contact points thread M 1,6 length .450"



5.2287 Tungsten carbide ball $\varnothing 2$ mm



5.2288 Tungsten carbide ball $\varnothing 1$ mm



5.2289 Tungsten carbide ball $\varnothing 3$ mm

Contact points thread M 1,6 length 1.400"



5.2290 Tungsten carbide ball $\varnothing 2$ mm



5.2291 Tungsten carbide ball $\varnothing 1$ mm



5.2292 Tungsten carbide ball $\varnothing 3$ mm

Contact points thread M 1,6 length .490"



5.2293 Tungsten carbide ball $\varnothing 2$ mm



5.2294 Tungsten carbide ball $\varnothing 1$ mm



5.2295 Tungsten carbide ball $\varnothing 3$ mm

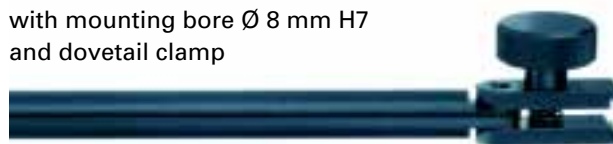
Centering Holder FH 8

Stem $\varnothing 8$ mm h6
with mounting bore $\varnothing 4$ mm H7 and dovetail clamp
Additional mounting bore $\varnothing 8$ mm H7



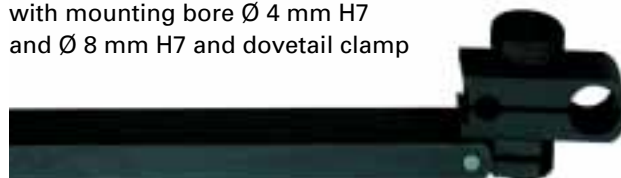
Round Holder FH 90

8 mm \varnothing x 90 mm
with mounting bore $\varnothing 8$ mm H7
and dovetail clamp



Square Holder 1.0958

6 x 12 x 80 mm
with mounting bore $\varnothing 4$ mm H7
and $\varnothing 8$ mm H7 and dovetail clamp



Spanner 3.1483



Magnetic Holder P 18

with vertically and horizontally adjustable swivel arm

Its extremely low overall height and simple handling make the Magnetic Holder P 18 very versatile for use in the manufacturing and tool making industry. Two round magnets on the contact face make it a flat and efficiently holding base. The use of star knobbed screws ensure safe clamping.

Delivery: without Dial Gauge

Magnetic Holder P 18	
Length of the magnetic base	73 mm
Height of the magnetic base	11 mm
Height with holder	46 mm
Breadth of the magnetic base	38 mm
Magnetic force	180 N
Length of swivel arm up to holder opening	35 mm
Holder opening	8 mm H7



Magnetic Holder P 19

with vertically and horizontally adjustable swivel arm

The support of the Dial Gauge can be rotated both vertically and horizontally, so that the Dial Gauge can be brought to any position. For that reason there are many possibilities of use. The Magnetic Holder P 19 has a prismatic base with additional magnets on the wall. The use of star knobbed screws ensure safe clamping.

Delivery: without Dial Gauge

Magnetic Holder P 19	
Length of the magnetic base	72 mm
Height of the magnetic base	26 mm
Height with holder	59 mm
Breadth of the magnetic base	37 mm
Magnetic force	180 N
Length of swivel arm up to holder opening	35 mm
Holder opening	8 mm H7



Both the Magnetic Holder P 18 and the model P 19 can also be supplied with a holder opening of $\frac{3}{8}$ " instead of 8 mm H7. Please indicate in your order text if a holder opening of $\frac{3}{8}$ " is required.

Small Dial Gauge KM 4 T Magnet with magnetic back

The Dial Gauges KM 4 T Magnet and M 2 T Magnet have a magnetic back. These Dial Gauges therefore don't require any stands or holders.

The magnets are made of sintered metal which can in no way affect the mechanism or the accuracy of the Dial Gauges. Magnetic back plates can also be used on other Dial Gauges of our manufacturing programme.

Spindle and stem are made of resistant stainless steel.

Small Dial Gauge KM 4 T Magnet with magnetic back	
Reading	0,01 mm
Range	3 mm
Range per revolution	0,5 mm
Bezel-Ø	40 mm
Stem-Ø	8 h 6
Accuracy according to	DIN 878
Spindle	lapped
Magnetic force of the back	120 N

Dial Gauge M 2 T Magnet with magnetic back

Dial Gauge M 2 T Magnet with magnetic back	
Reading	0,01 mm
Range	10 mm
Range per revolution	1 mm
Bezel-Ø	58 mm
Stem-Ø	8 h 6
Accuracy according to	DIN 878
Spindle	lapped
Magnetic force of the back	220 N



Magnetic Stand P 17

with on/off switch and fine adjustment

Magnetic Base for P 17

The magnetic base with thread M 10 has a prismatic bottom. It securely holds on any flat or cylindrical, iron or steel surface.

The magnet is activated by turning the toggle handle. Turning the handle to the 0-position switches the magnet off, turning it to the 1-position switches the magnet on.

Post and Support Arm

Assemblies for P 17

The fine adjustment feature of the Post and Support Arm Assemblies for the P 17 guarantees safe and accurate measuring.

The Post and Support Arm Assemblies for the P 17 are also available as special execution with 400 mm resp. 450 mm height of the vertical column or with 300 mm long horizontal arm.

Scope of supply:

The Magnetic Stand P 17 is supplied completely mounted with Magnetic Base.

Post and Support Arm Assemblies and the Magnetic Base for P 17 are separately available.

A wooden box is supplied at an extra charge.

Delivery: without Dial Gauge



Magnetic Stand P 17

Length of the magnetic base	70 mm
Height of the magnetic base	65 mm
Breadth of the magnetic base	46 mm
Magnetic force	450 N
Length of the horizontal arm	180 mm
Diameter of the horizontal arm	16 mm
Fine adjustment	yes
Length of the vertical column	220 mm
Diameter of the vertical column	16 mm
Holder opening	8 mm H7

The Magnetic Stand P 17 can also be supplied with a holder opening of 10 mm H7.

Order text: P 17 (10 H 7).

Precision Measuring Table P 7

The Precision Measuring Table P 7 is sturdily built and accurately finished. Its surface plate is hardened, ground and lapped. It is separated from the main body resting on three support points.

The carrying arm is adjustable for height on the vertical column. The column is hardened and ground.

Precision Measuring Table P 7

Measuring capacity	100 mm
Depth of throat	50 mm
Column-Ø	22 mm
Base-Ø	50 mm
Holder opening	8 mm H7

If desired, the Measuring Table P 7 is also available with special fittings:

- **Measuring Table P 7**
with fluting
- **Measuring Table P 7**
with measuring ball $\varnothing = 30$ mm
- **Measuring Table P 7**
with measuring height of 165 mm
- **Measuring Table P 7**
with measuring height of 215 mm
- **Measuring Table P 7**
with measuring height of 315 mm
- **Measuring Table P 7**
with circular support plate of $\varnothing 80$ mm
- **Measuring Table P 7**
with circular support plate of $\varnothing 90$ mm
- **Measuring Table P 7**
with adjustable support plate for use as base for table-thickness gauges

Delivery without Dial Gauge.



Other Measuring Tables with different heights, support plates and in special executions are available on request.

Saw Setting Dial Gauge

with dial on both sides

The advantages of having a correctly set saw for all sawing work are well known. By using a Saw Setting Dial Gauge any specified set for various kinds of timber can be exactly maintained, thus ensuring maximum output and efficient workmanship.

The method of measuring could not be simpler. The Gauge is laid on the saw blade so that the sprung tracer touches the cutting edges of the saw. The pointer gives instant reading of the measurement. As the Gauge has a dial on both sides, it can be used either left or right handed.

The standard models of our Saw Setting Dial Gauges are supplied with flat feelers 10 mm Ø. If desired Saw Setting Dial Gauges are available with special feelers.

- **Saw Setting Dial Gauge**
with flat feeler 4,8 mm Ø (model C)
- **Saw Setting Dial Gauge**
with pointed feeler (model B)
- **Saw Setting Dial Gauge**
with spherical feeler

Please request our offers.

Saw Setting Dial Gauge with dial on both sides

Reading	0,1 mm
Range	2 mm
Range per revolution	1 mm
Bezel-Ø	40 mm
Feeler-Ø	10 mm
Tolerance indicator	on both sides
Dial	on both sides for left or right handed use

If desired, the Saw Setting Dial Gauge is also available with special fittings:

- **Saw Setting Dial Gauge**
with 0,01 mm reading
- **Saw Setting Dial Gauge**
with short case to drawing K 2/42
- **Saw Setting Dial Gauge**
with supporting plate to drawing K 2/43
- **Saw Setting Dial Gauge**
with vertical feet to drawing K 2/60



Saw Setting Dial Gauge Z

inch reading, with dial on both sides

The advantages of having a correctly set saw for all sawing work are well known. By using a Saw Setting Dial Gauge any specified set for various kinds of timber can be exactly maintained, thus ensuring maximum output and efficient workmanship.

The method of measuring could not be simpler. The Gauge is laid on the saw blade so that the sprung tracer touches the cutting edges of the saw. The pointer gives instant reading of the measurement. As the Gauge has a dial on both sides, it can be used either left or right handed.

The standard models of our Saw Setting Dial Gauges Z are supplied with flat feelers 10 mm Ø. If desired Saw Setting Dial Gauges Z are available with special feelers.

- **Saw Setting Dial Gauge Z**
with flat feeler 4,8 mm Ø (model C)
see photo at the bottom left
- **Saw Setting Dial Gauge Z**
with pointed feeler (model B)
see photo at the bottom right
- **Saw Setting Dial Gauge Z**
with spherical feeler

Please request our offers.

Saw Setting Dial Gauge Z inch reading, with dial on both sides

Reading	.001"
Range	.080"
Range per revolution	.040"
Bezel-Ø	1 ⁹ / ₁₆ "
Feeler-Ø	10 mm
Tolerance indicator	on both sides
Dial	on both sides for left or right handed use

If desired, the Saw Setting Dial Gauge Z is also available with special fittings:

- **Saw Setting Dial Gauge Z**
with short case to drawing K 2/42
- **Saw Setting Dial Gauge Z**
with supporting plate to drawing K 2/43
- **Saw Setting Dial Gauge Z**
with vertical feet to drawing K 2/60



Dial Depth Gauge TM/2

with matt chromed measuring base

The base is matt chromed, hardened and lapped.

The metal collet attachment guarantees reliable fixing of the Dial Gauge. An additional internal hexagon screw makes exchanging the Dial Gauge easier.

The Dial Depth Gauge TM/2 is supplied completely mounted with base TB 80 and the 10 mm long measuring insert 573/21.

Dial Depth Gauge TM/2	
Reading	0,01 mm
Range	10 mm
Range per revolution	1 mm
Bezel-Ø	58 mm
Base dimensions	80 x 16 mm
Accuracy according to	DIN 878
	hysteresis fu however not checked
Dial reading	anti-clockwise



Inch Dial Depth Gauge TZ/2

with matt chromed measuring base

The Dial Depth Gauge TZ/2 bears the same technical features as the model TM/2 except for the reading of .001".

The pointed insert 573/13 is of the same overall length as the standard feeler 573/21. It is suitable for measuring the depth of an engraving.

Spare Dial Depth Gauges are supplied with feelers 573/21, but without base.

Dial Depth Gauge TZ/2	
Reading	.001"
Range	.400"
Range per revolution	.100"
Bezel-Ø	58 mm
Base dimensions	80 x 16 mm
Accuracy analogous to	DIN 878
	hysteresis fu however not checked
Dial reading	anti-clockwise

Bases for Dial Depth Gauges



For the Dial Depth Gauges, 4 bases are available with the following dimensions:

Base TB 50	50 x 16 mm
Base TB 80	80 x 16 mm
Base TB 120	120 x 20 mm
Base TB 150	150 x 20 mm

The bases are interchangeable. Each base has a bore of 8 mm Ø H7. It is matt chromed and hardened. The contact face is lapped. The metal collet attachment guarantees reliable fixing of the Dial Gauges.

Dial Depth Gauge TM 2/30

with matt chromed measuring base

The concentric millimetre pointer allows easy and safe reading of the Dial Depth Gauge TM 2/30. It is supplied completely mounted with measuring insert 573/21 and base TB 80.

Spare Dial Depth Gauges are supplied with feelers 573/21, but without base.

Dial Depth Gauge TM 2/30	
Reading	0,01 mm
Range	30 mm
Range per revolution	1 mm
Bezel-Ø	58 mm
Base dimensions	80 x 16 mm
Accuracy according to works standard	1.0200.9.0014 hysteresis fu however not checked
Dial reading	anti-clockwise

Inch Dial Depth Gauge TZ 2/30

with matt chromed measuring base

The Dial Depth Gauge TZ 2/30 bears the same technical features as the model TM 2/30 except for the reading of .001".

Extensions are suitable accessories for Dial Depth Gauges. They are available in lengths from 10 to 100 mm and from .400" to 4.000". Please take note of the range of products on pages 80 and 82 of our catalogue.

Dial Depth Gauge TZ 2/30	
Reading	.001"
Range	1.000"
Range per revolution	.100"
Bezel-Ø	58 mm
Base dimensions	80 x 16 mm
Accuracy analogous to works standard	1.0200.9.0014 hysteresis fu however not checked
Dial reading	anti-clockwise



Replacement Dial Gauges are available for all Dial Depth Gauges. Their dials read anti-clockwise. They are equipped with 10 mm long ball inserts 573/21.

We can also manufacture other kinds of Dial Depth Gauges which are not illustrated in this catalogue:

- **Profile Dial Depth Gauge**
for car tyres
- **Profile Dial Depth Gauge**
for truck tyres
- **Dial Depth Gauge TM 2/30 Micro**
for small diameter blind bores

Please request our offers for these special types.

Dial Depth Gauge TU 10

rack with through-bore

Dial Depth Gauge TU 10	
Reading	0,01 mm
Range	10 mm
Range per revolution	1 mm
Bezel-Ø	58 mm
Base dimensions	80 x 16 mm
Accuracy according to	DIN 878
	hysteresis fu however not checked
Rack	with through-bore
Dial reading	anti-clockwise

The rack in the Dial Depth Gauges TU 10 and TU 30 is bored all the way through axially. This allows the accommodation of the adjustable Depth Measuring Needle TU 2 with a Ø of 2 mm to the measuring depth of up to 200 mm.

The Depth Measuring Needle TU 2 is adjusted by means of the knurled steel collet.

The Dial Depth Gauges TU 10 and TU 30 can be used in conjunction with all Measuring Bases described on page 99. As standard they are supplied without Measuring Base and without the Depth Measuring Needle TU 2.

Dial Depth Gauge TU 30

rack with through-bore

Dial Depth Gauge TU 30	
Reading	0.01 mm
Range	30 mm
Range per revolution	1 mm
Bezel-Ø	58 mm
Base dimensions	80 x 16 mm
Accuracy according to works standard	1.0200.9.0014
	hysteresis fu however not checked
Rack	with through-bore
Dial reading	anti-clockwise



Photo:
TU 30 with base TB 80
and needle TU 2

Digital Depth Gauge TMD 12

with matt chromed measuring base and digital display

The base is matt chromed, hardened and lapped.

The metal collet attachment guarantees reliable fixing of the Dial Gauge. An additional internal hexagon screw makes exchanging the Dial Gauge easier.

The Digital Depth Gauge TMD 12 is supplied completely mounted with base TB 80 and the 12 mm long measuring insert 573/18 with a ball \varnothing of 1 mm.

Digital Depth Gauge TMD 12	
Resolution	0,01 mm / .0005"
Range	12,5 mm / .5"
Digital display LCD, height of digits	8,5 mm
Measuring system	inductive
Power supply	on Lithium battery 3V
Battery life	3000 h
Output	RS 232, optoelectronic
Working temperature	+5 °C up to + 40 °C
Maximum error	20 μ m / .0008"
Measuring direction	anti-clockwise



Digital Depth Gauge TMD 25

with matt chromed measuring base and digital display

The Digital Depth Gauge TMD 25 bears the same technical features as the model TMD 12 except for the range of 25 mm.

Both models can be set to Inch-display, their resolution is then .0005".

Spare Digital Depth Gauges are supplied with feelers 573/18, but without base.

Digital Depth Gauge TMD 25	
Resolution	0,01 mm / .0005"
Range	25 mm / 1.00"
Digital display LCD, height of digits	8,5 mm
Measuring system	inductive
Power supply	on Lithium battery 3V
Battery life	3000 h
Output	RS 232, optoelectronic
Working temperature	+5 °C up to + 40 °C
Maximum error	20 μ m / .0008"
Measuring direction	anti-clockwise

Bases for Digital Depth Gauges



For the Digital Depth Gauges, 4 bases are available with the following dimensions:

Base TB 50	50 x 16 mm
Base TB 80	80 x 16 mm
Base TB 120	120 x 20 mm
Base TB 150	150 x 20 mm

All bases have a bore \varnothing of 8 mm H7. They are mutually interchangeable. The bases are matt chromed and hardened. Their support faces are lapped. The metal collet attachment guarantees reliable fixing of the Dial Gauges.



Quickmess Basic

with integrated measuring stops
 Ø 1, 3 and 5 mm

Due to its integrated measuring stop, Quickmess eliminates the need of a special inspection room when measuring small parts with a diameter of up to 20 mm and a maximum length of 30 mm. For the measuring operation, the specimen is inserted into the measuring stop. It pushes the measuring insert upwards. The stop limits the stroke of the spindle to the distance that requires measurement.

Quickmess Basic	
Reading	0,01 mm
Range	30 mm
Maximum part Ø	5 mm
Ø of the inserts	1, 3 and 5 mm
Measuring insert	3 mm Ø mounted
Ø of the measuring stops	1, 3 and 5 mm
Measuring stop	3 mm Ø mounted
Accuracy according to works standard 1.0200.9.0014, edition 2000	hysteresis fu however not checked

Quickmess Basic Large

with integrated measuring stops
 choice of Ø from 8 - 20 mm

Quickmess Basic Large	
Reading	0,01 mm
Range	30 mm
Maximum part Ø	20 mm
Choice of Ø of the inserts	8, 10, 12, 14, 16, 18 or 20 mm
Choice of Ø of the measuring stops	8, 10, 12, 14, 16, 18 or 20 mm
Accuracy according to works standard 1.0200.9.0014, edition 2000	hysteresis fu however not checked

Operation

Zero setting of the dial on any flat surface / measuring block.



The required tolerance range is set on the dial in the normal way. In our example: ± 10.



The measuring operation is carried out very simply by inserting the specimens in the measuring stop.



Reading of the measurement and the tolerance. The next measuring operation can begin.



Quickmess Maxi

with integrated measuring stop
 Ø 1, 3 and 5 mm

Quickmess Maxi has a presetting facility in addition to its integrated measuring stop. This makes it child's play to set tools properly. The tool is only fixed loosely and is then inserted in the measuring stop. The pre-set measuring range with the fixed measuring pin positions the tool at the correct, preset length.

Quickmess Maxi with measuring stop	
Reading	0,01 mm
Range	30 mm
Maximum part Ø	5 mm
Ø of the inserts	1, 3 and 5 mm
Measuring insert	3 mm Ø mounted
Ø of the measuring stops	1, 3 and 5 mm
Measuring stop	3 mm Ø mounted
Accuracy according to works standard 1.0200.9.0014, edition 2000	hysteresis fu however not checked

Quickmess Maxi Large

with integrated measuring stop
 choice of Ø from 8 – 20 mm

Quickmess Maxi Large with measuring stop	
Reading	0,01 mm
Range	30 mm
Maximum part Ø	20 mm
Choice of Ø of the inserts	8, 10, 12, 14, 16, 18 or 20 mm
Choice of Ø of the measuring stops	8, 10, 12, 14, 16, 18 or 20 mm
Accuracy according to works standard 1.0200.9.0014, edition 2000	hysteresis fu however not checked

Pre-setting with Maxi

Lift the measuring pin of the Quickmess unit until the hands point to the desired advance setting. In our example: 25,40 mm.



Clamp the measuring pin with the help of the pre-setting screw.



Move the measuring stop over the tool loosely secured in the clamping unit and push it inwards until it has engaged properly. The tool will be positioned with the required projection.



Secure the tool in the clamping unit.



Thickness Gauges

Technical Data for Metric Thickness Gauges

Page	Type	Reading mm	Range mm	Depth of jaw mm	Lifting device	Form of feelers standard	available on request
121	K 15	0,1	10	15	no	6,35 mm Ø flat	} 10 mm Ø flat, convex or spherical
121	K 15/2	0,1	20	15	no	6,35 mm Ø flat	
108	K 50	0,1	10	50	no	c	a, b, d or e
108	K 50 with lifting device	0,1	10	50	yes	c	a, b, d or e
109	K 50/2	0,1	20	50	no	c	a, b, d or e
109	K 50/3	0,1	30	50	no	c	a, b, d or e
110	K 50/5	0,1	50	50	no	c	a, b, d or e
-	K 100	0,1	30	100	no	c	a, b, d or e
111	K 200	0,1	30	200	yes	c	a, b, d or e
112	K 300	0,1	30	300	yes	c	a, b, d or e
112	K 400	0,1	30	400	yes	c	a, b, d or e
122	J 12	0,01	8	12	yes	6,35 mm Ø flat	} 10 mm Ø flat, convex or spherical
122	J 15	0,01	10	18	yes	6,35 mm Ø flat	
-	J 45	0,01	10	45	yes	6,35 mm Ø flat	
113	J 50	0,01	10	50	no	c	a, b, d or e
114	J 50 with lifting device	0,01	10	50	yes	c	a, b, d or e
115	JD 50 with lifting device	0,01	10	50	yes	c	a, b, d or e
-	J 50/30	0,01	30	50	no	c	a, b, d or e
-	J 50/30 with lifting device	0,01	30	50	yes	c	a, b, d or e
116	JD 50/25	0,01	25	50	yes	c	a, b, d or e
123	J 50 R	0,01	5	50	yes	rollers	
123	J 50 R without side discs	0,01	5	50	yes	rollers without side discs	
-	JD 50 R	0,01	10	50	yes	rollers	
-	JD 50 R without side discs	0,01	10	50	yes	rollers without side discs	
124	J 50 W	0,01	10	50	yes	pin with collar for pipe walls	
124	JD 50 W	0,01	10	50	yes	pin with collar for pipe walls	
126	J 50/3 WP	0,01	20	50	no	for corrugated boards	
117	J 100	0,01	10	100	yes	c	a, b, d or e
115	JD 100	0,01	10	100	yes	c	a, b, d or e
-	J 100/30	0,01	30	100	yes	c	a, b, d or e
116	JD 100/25	0,01	25	100	yes	c	a, b, d or e
117	J 200	0,01	10	200	yes	c	a, b, d or e
-	JD 200	0,01	10	200	yes	c	a, b, d or e
-	J 200/30	0,01	30	200	yes	c	a, b, d or e
-	JD 200/25	0,01	25	200	yes	c	a, b, d or e
-	J 300	0,01	10	300	yes	c	a, b, d or e
-	JD 300	0,01	10	300	yes	c	a, b, d or e
118	F 50 with lifting device	0,001	5	50	yes	c	a, b, d or e
125	F 1101/30	0,001	1	30	yes	6,35 mm Ø flat	convex R 15 or R 40, flat 10 mm Ø, spherical
119	FD 50 with lifting device	0,001	10	50	yes	c	a, b, d or e
-	FD 50/25	0,001	25	50	yes	c	a, b, d or e
-	FD 100/25	0,001	25	100	yes	c	a, b, d or e
119	FD 200/25	0,001	25	200	yes	c	a, b, d or e

The feelers listed in the column 'standard' will be mounted unless the order calls for specials. Thickness Gauges can be supplied with feelers listed in the column 'available on request' without extra costs.

Schematic diagrams of the feelers style a, b, c, d and e can be found on page 107.

Thickness Gauges adding 'D' in the type designation possess a digital indicating instrument.

Technical merits

of our Dial Thickness Gauges with large frame depth

Bezel which can be turned for zeroing of the instrument

Precision movement

Serviceability: Worn parts (i.e. cover glass) are easily replaceable

Sturdy ergonomic handle

Spare Dial Gauge available

Contact pressure can be individually set on models with lifting device

Exchangeable feelers

Flat feelers, adjustable for parallelism

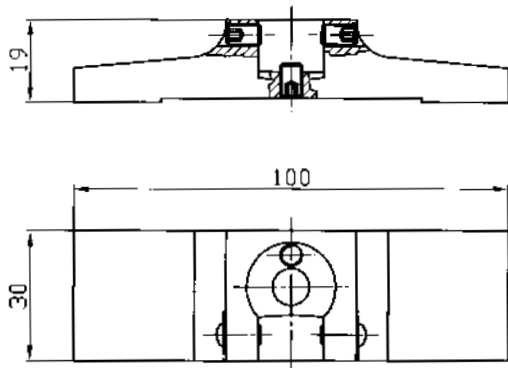
Robust construction for a long service life

Stand for many models available on request



Stand 2.1670

This Stand converts the Dial Thickness Gauges K 50, K 100, J 50, J 100 and F 1101/30 as well as the respective digital models, designed for hand-held use, to table models. Retrofitting this Stand to older models is possible.





Feelers

for Dial Thickness Gauges with large frame depth

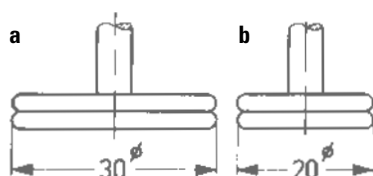
Dial Thickness Gauges are used for measuring the thickness of a very wide range of materials such as leather, paperboard, paper, felt, rubber, glass, sheet, metal, films, plywood and plastics. The shape of the feelers should be adapted to the material being measured.

We normally supply all our Dial Thickness Gauges with feelers to form c as standard, unless otherwise stated in this catalogue. Gauges can be supplied with other forms of feelers (a, b, d or e) at no extra cost.

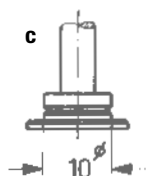
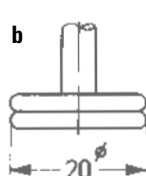
Should you require a non standard feeler, please state on your order the type of feeler we must supply (for example: Dial Thickness Gauge J 50 with feelers form a).

Special flat feelers up to diameter of 56 mm are available at additional cost. These include feelers with precise contact area, for example \varnothing of 11,3 m to give 1 cm² of contact area.

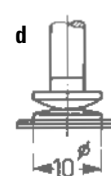
A new attachment, 3.2272, with a female thread M 2,5 is available for Dial Thickness Gauges types K and J 50 - 300. This attachment enables the use of profiled feelers shown on the catalogue pages 79 and 80.



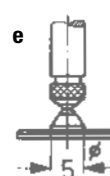
a
rubber,
felt,
soft materials



c
soft leather,
cardboard,
paper, foils



d
hard leather,
plywood,
fibrous
plates



e
sheets,
hard materials

Dial Thickness Gauge K 50

In standard execution the Dial Thickness Gauge K 50 will be supplied with feelers form c.

When ordering, please state whether you require another form of feelers than form c. The forms of feelers a, b, d or e are available at the same price. Flat special feelers with special diameters of up to 56 mm Ø are available for a surcharge.

Dial Thickness Gauge K 50	
Reading	0,1 mm
Range	10 mm
Range per revolution	10 mm
Bezel-Ø	58 mm
Depth of jaw	50 mm
Accuracy according to works standard	0.0100.9.0004, edition 2/1990, hysteresis fu however not checked
Standard feeler	form c
Optional feelers	forms a, b, d or e

Spare Dial Gauge for K 50

The Spare Dial Gauge for K 50 is equipped with the extension 3.2236. This extension with M 3 male thread is required for mounting the upper feelers form a and b. When fitting feelers form c, d or e then it is necessary to remove this extension.

For a surcharge we will supply the Spare Dial Gauge for K 50 with the upper feeler form a, b, c, d or e.

Spare Dial Gauge for K 50	
Reading	0,1 mm
Range	10 mm
Range per revolution	10 mm
Bezel-Ø	58 mm
Stem-Ø	8 h 6
Accuracy according to works standard	0.0100.9.0004, edition 2/1990, hysteresis fu however not checked
Standard feeler	without
Optional feelers	forms a, b, c, d or e



Model **K 50 with lifting device** has the same technical specification as model K 50 with pressure lever. At rest the feelers are closed. This style has the advantage that the contact pressure of 0,5 N is applied independently of the user. The **Spare Dial Gauge for K 50 with lifting device** will be supplied without lifting device unless requested on the order.

Dial Thickness Gauge K 50/2

Dial Thickness Gauge K 50/3

The Dial Thickness Gauges K 50/2 and K 50/3 differ only in measuring range and the kind of revolution counter. On model K 50/3 the counter is designed as linear auxiliary scale while on model K 50/2 it is a revolution counter with a small hand.

Dial Thickness Gauge K 50/2	
Reading	0,1 mm
Range	20 mm
Range per revolution	10 mm
Bezel-Ø	58 mm
Depth of jaw	50 mm
Accuracy	
according to works standard	0.0100.9.0004, edition 2/1990, hysteresis fu however not checked
Standard feeler	form c
Optional feelers	forms a, b, d or e

Dial Thickness Gauge K 50/3	
Reading	0,1 mm
Range	30 mm
Range per revolution	10 mm
Bezel-Ø	58 mm
Depth of jaw	50 mm
Accuracy	
according to works standard	0.0100.9.0004, edition 2/1990, hysteresis fu however not checked
Standard feeler	form c
Optional feelers	forms a, b, d or e



If desired, the models K 50/2 and K 50/3 are also available with a strengthened lifting device at the back.

On both of these models a spring produces the measuring force. Thus the contact pressure is independent of the user.

Please request our offers.

Spare Dial Gauge for K 50/2	
Reading	0,1 mm
Range	20 mm
Range per revolution	10 mm
Bezel-Ø	58 mm
Stem-Ø	8 h 6
Accuracy	
according to works standard	0.0100.9.0004, edition 2/1990, hysteresis fu however not checked
Standard feeler	without
Optional feelers	forms a, b, c, d or e

Spare Dial Gauge for K 50/3	
Reading	0,1 mm
Range	30 mm
Range per revolution	10 mm
Bezel-Ø	58 mm
Stem-Ø	8 h 6
Accuracy	
according to works standard	0.0100.9.0004, edition 2/1990, hysteresis fu however not checked
Standard feeler	without
Optional feelers	forms a, b, c, d or e

Dial Thickness Gauge K 50/5

In standard execution the Dial Thickness Gauge K 50/5 will be supplied with feelers form c. Delivery with feelers form a, b, d or e only when stated in the order.

The Dial Thickness Gauge K 300/50 with 300 mm jaw depth and 50 mm measuring range can be delivered as special variant.

Please request our offers.

Dial Thickness Gauge K 50/5	
Reading	0,1 mm
Range	50 mm
Range per revolution	10 mm
Bezel-Ø	58 mm
Depth of jaw	50 mm
Accuracy	
according to works standard	0.0100.9.0004, edition 2/1990, hysteresis fu however not checked
Standard feeler	form c
Optional feelers	forms a, b, d or e

Spare Dial Gauge for K 50/5

The Spare Dial Gauge for K 50/5 will be supplied with the extension 3.2236. For a surcharge we will supply the Spare Dial Gauge for K 50/5 with the upper feeler form a, b, c, d or e.

Delivery is without push rod, compression spring and push button. These spare parts are separately available.

Spare Dial Gauge for K 50/5	
Reading	0,1 mm
Range	50 mm
Range per revolution	10 mm
Bezel-Ø	58 mm
Stem-Ø	8 h 6
Accuracy	
according to works standard	0.0100.9.0004, edition 2/1990, hysteresis fu however not checked
Standard feeler	without
Optional feelers	forms a, b, c, d or e



Dial Thickness Gauge K 200

The Dial Thickness Gauge K 200 possesses a lifting device and thus the contact force is independent of the user.

For the model K 200 in standard execution the contact force is 1,8 N. Specials with increased or reduced contact force are available on request with values listed in the table below the illustration.

Dial Thickness Gauge K 200	
Reading	0,1 mm
Range	30 mm
Range per revolution	10 mm
Bezel-Ø	58 mm
Depth of jaw	200 mm
Accuracy	
according to works standard	0.0100.9.0004, edition 2/1990, hysteresis fu however not checked
Standard feeler	form c
Optional feelers	forms a, b, d or e

Spare Dial Gauge for K 200 – K 400



The Spare Dial Gauges for models K 200, K 300 and K 400 are of the same design. They will be supplied just like all the other Spare Dial Gauges without feeler but with the extension 3.2236.

For a surcharge we will supply the Spare Dial Gauge for K 200 - K 400 with the upper feeler form a, b, c, d or e.

Spare Dial Gauge for K 200 – K 400	
Reading	0,1 mm
Range	30 mm
Range per revolution	10 mm
Bezel-Ø	58 mm
Stem-Ø	8 h 6
Accuracy	
according to works standard	0.0100.9.0004, edition 2/1990, hysteresis fu however not checked
Standard feeler	without
Optional feelers	forms a, b, c, d or e



Table of Contact Force

Type	Standard Force	Reduced Force	Increased Force
K 50 with lifting device	0,5 N	—	1,2 N
K 200	1,8 N	0,9 N	2,5 N
K 300	1,8 N	0,9 N	2,5 N
K 400	1,8 N	0,9 N	2,5 N

Variants with push-on rod and additional weights on request.

Dial Thickness Gauges K 300 and K 400

The Dial Thickness Gauges K 200, K 300 and K 400 have the same form of jaw. Only the depth of jaw is different.

The use of aluminium for the body of the instruments makes them light and easy to handle. A mounting device makes it possible to use them as a table unit.

Dial Thickness Gauge K 300	
Reading	0,1 mm
Range	30 mm
Range per revolution	10 mm
Bezel-Ø	58 mm
Depth of jaw	300 mm
Accuracy	
according to works standard	0.0100.9.0004, edition 2/1990, hysteresis fu however not checked
Standard feeler	form c
Optional feelers	forms a, b, d or e

Additional weights for K 200 – K 400

Additional weights are available to increase the contact pressure on Dial Thickness Gauges K 200 to K 400.

These weights can be attached to the shaft at the top of the Dial Gauge.

Please contact us for further details.

Dial Thickness Gauge K 400	
Reading	0,1 mm
Range	30 mm
Range per revolution	10 mm
Bezel-Ø	58 mm
Depth of jaw	400 mm
Accuracy	
according to works standard	0.0100.9.0004, edition 2/1990, hysteresis fu however not checked
Standard feeler	form c
Optional feelers	forms a, b, d or e



We also offer a Dial Thickness Gauge with enlarged frame with jaw depth of 300 mm and extended measuring range of 50 mm or 80 mm. This instrument can be delivered with readings of 0,1 mm resp. 0,01 mm. All variations are furnished with push button and stand. Please request our offers.

Dial Thickness Gauge J 50

In standard execution the Dial Thickness Gauge J 50 will be supplied with feelers form c.

When ordering, please state whether you require another form of feelers than form c. The forms of feelers a, b, d or e are available at the same price. Flat special feelers with special diameters of up to 56 mm Ø are available for a surcharge.

Dial Thickness Gauge J 50	
Reading	0,01 mm
Range	10 mm
Range per revolution	1 mm
Bezel-Ø	58 mm
Depth of jaw	50 mm
Accuracy according to	DIN 878
	hysteresis fu however not checked
Standard feeler	form c
Optional feelers	forms a, b, d or e

Spare Dial Gauge for J 50

The Spare Dial Gauge for J 50 is equipped with the extension 3.2236. This extension with M 3 male thread is required for mounting the upper feelers form a and b. When fitting feelers form c, d or e then it is necessary to remove this extension.

For a surcharge we will supply the Spare Dial Gauge for J 50 with the upper feeler form a, b, c, d or e.

Spare Dial Gauge for J 50	
Reading	0,01 mm
Range	10 mm
Range per revolution	1 mm
Bezel-Ø	58 mm
Stem-Ø	8 h 6
Accuracy according to	DIN 878
	hysteresis fu however not checked
Standard feeler	without
Optional feelers	forms a, b, c, d or e



Another Dial Thickness Gauge of the same family is J 50/30 (depth of jaw 50 mm, range 30 mm).

Dial Thickness Gauge J 50

with lifting device

The Dial Thickness Gauge J 50 possesses a lifting device and thus the contact force is independent of the user.

For the model J 50 in standard execution the contact force is 0,8 N. Specials with increased or reduced contact force are available on request with values listed in the table below the illustration.

Dial Thickness Gauge J 50 with lifting device	
Reading	0,01 mm
Range	10 mm
Range per revolution	1 mm
Bezel-Ø	58 mm
Depth of jaw	50 mm
Accuracy according to	DIN 878
	hysteresis fu however not checked
Standard feeler	form c
Optional feelers	forms a, b, d or e

Spare Dial Gauge for J 50

with lifting device

The Spare Dial Gauge for model J 50 with lifting device will be delivered like all other Spare Dial Gauges without lifting device and feeler but with extension 3.2236.

For a surcharge we will supply the Spare Dial Gauge for J 50 with the upper feeler form a, b, c, d or e.

Spare Dial Gauge for J 50 with lifting device	
Reading	0,01 mm
Range	10 mm
Range per revolution	1 mm
Bezel-Ø	58 mm
Stem-Ø	8 h 6
Accuracy according to	DIN 878
	hysteresis fu however not checked
Standard feeler	without
Optional feelers	forms a, b, c, d or e



Table of Contact Force

Type	Standard Force	Reduced Force	Increased Force
J 50 with lifting device	0,8 N	0,6 N	2,0 N
J 100	0,8 N	0,6 N	2,0 N
J 200	1,5 N	1,2 N	3,0 N
J 200/30	1,5 N	1,2 N	3,0 N

Variants with push-on rod and additional weights on request.

Digital Thickness Gauge JD 50

with lifting device

Digital Thickness Gauge JD 100

with lifting device



The large digital display has a good visual perception for easy reading of the measuring result. The use of aluminium for the body of the instruments makes them light and easy to handle.

Digital Thickness Gauge JD 50 with lifting device	
Resolution	0,01 mm / .0005"
Range	10 mm / .400"
Depth of jaw	50 mm
Digital display LCD, height of digits	8,5 mm
Measuring system	inductive
Power supply	on Lithium battery 3 V
Battery life	3000 h
Output	RS 232, optoelectronic
Working temperature	+5 °C – +40 °C
Maximum error	20 µm / .0008"
Standard feeler	form c
Optional feelers	forms a, b, d or e

Digital Thickness Gauge JD 100 with lifting device	
Resolution	0,01 mm / .0005"
Range	10 mm / .400"
Depth of jaw	100 mm
Digital display LCD, height of digits	8,5 mm
Measuring system	inductive
Power supply	on Lithium battery 3 V
Battery life	3000 h
Output	RS 232, optoelectronic
Working temperature	+5 °C – +40 °C
Maximum error	20 µm / .0008"
Standard feeler	form c
Optional feelers	forms a, b, d or e



Digital Thickness Gauge JD 50/25

with lifting device

The use of a frame with large frame height together with a Digital Dial Indicator with 25 mm measuring range and a reinforced lifting device attached to the rear results in a Thickness Gauge which combines the advantages of easy handling and large measuring range suitable for various applications. Together with the Stand 2.1670 this converts a portable instrument quickly without complications to a table instrument.

The following functions can be used for all Digital Dial Gauges in connection with our Thickness Gauges:

- Zero setting
- mm/inch selection
- Memory set Hold
- Data transmission
- Ref I / Ref II
- Preset value recall
- Selection of measuring direction
- Selection of reading (only FD series)
- Data request by any ASCII Code

Digital Thickness Gauge JD 50/25 with lifting device	
Resolution	0,01 mm / .0005"
Range	25 mm / 1"
Depth of jaw	50 mm
Digital display LCD, height of digits	8,5 mm
Measuring system	inductive
Power supply	on Lithium battery 3 V
Battery life	3000 h
Output	RS 232, optoelectronic
Working temperature	+5 °C – +40 °C
Maximum error	20 µm / .0008"
Standard feeler	form c
Optional feelers	forms a, b, d or e

Digital Thickness Gauge JD 100/25 with lifting device	
Resolution	0,01 mm / .0005"
Range	25 mm / 1"
Depth of jaw	100 mm
Digital display LCD, height of digits	8,5 mm
Measuring system	inductive
Power supply	on Lithium battery 3 V
Battery life	3000 h
Output	RS 232, optoelectronic
Working temperature	+5 °C – +40 °C
Maximum error	20 µm / .0008"
Standard feeler	form c
Optional feelers	forms a, b, d or e



Other models of Digital Thickness Gauges of the same family:

- **Digital Thickness Gauge FD 50/25** resolution 0,001 mm / .00005" range 25 mm / 1" depth of jaw 50 mm
- **Digital Thickness Gauge FD 100/25** resolution 0,001 mm / .00005" range 25 mm / 1" depth of jaw 100 mm

Dial Thickness Gauge J 100

Dial Thickness Gauge J 200

Dial Thickness Gauges J 100 and J 200 differ only by their jaw depth and by the kind of lifting device. On model J 100 the latter is positioned on top of the Dial Gauge. On the Dial Thickness Gauge J 200 the lifting lever is attached to a pin through the measuring spindle. Because of the use of a reinforced frame for J 200 this model can just as the model J 200/30 only be supplied as portable instrument without stand.

Dial Thickness Gauge J 100	
Reading	0,01 mm
Range	10 mm
Range per revolution	1 mm
Bezel-Ø	58 mm
Depth of jaw	100 mm
Accuracy according to	DIN 878
	hysteresis fu however not checked
Standard feeler	form c
Optional feelers	forms a, b, d or e

Dial Thickness Gauge J 200	
Reading	0,01 mm
Range	10 mm
Range per revolution	1 mm
Bezel-Ø	58 mm
Depth of jaw	200 mm
Accuracy according to	DIN 878
	hysteresis fu however not checked
Standard feeler	form c
Optional feelers	forms a, b, d or e



The **Dial Thickness Gauge J 200/30** is supplied with the same jaw as model J 200. The Dial Gauge has however a measuring range of 30 mm and a second concentric hand. This concentric hand allows easy and safe reading of the Dial Gauge.

Spare Dial Gauge for J 100	
Reading	0,01 mm
Range	10 mm
Range per revolution	1 mm
Bezel-Ø	58 mm
Stem-Ø	8 h 6
Accuracy according to	DIN 878
	hysteresis fu however not checked
Standard feeler	without
Optional feelers	forms a, b, c, d or e

Spare Dial Gauge for J 200	
Reading	0,01 mm
Range	10 mm
Range per revolution	1 mm
Bezel-Ø	58 mm
Stem-Ø	8 h 6
Accuracy according to	DIN 878
	hysteresis fu however not checked
Standard feeler	without
Optional feelers	forms a, b, c, d or e

Dial Thickness Gauge F 50

with lifting device

High resolution while offering a relative large measuring range distinguishes this Dial Thickness Gauge. The lifting device provides the initial measuring force of 1,2 N independent of the user.

In standard execution the Dial Thickness Gauge F 50 will be supplied with feelers form c. When ordering, please state whether you require another form of feelers than form c. The forms of feelers a, b, d or e are available at the same price.

Dial Thickness Gauge F 50 with lifting device	
Reading	0,001 mm
Range	5 mm
Range per revolution	0,2 mm
Bezel-Ø	58 mm
Depth of jaw	50 mm
Accuracy according to works standard	0.0500.9.0001, edition 4/2001 hysteresis fu however not checked
Standard feeler	form c
Optional feelers	forms a, b, d or e

Spare Dial Gauge for F 50

with lifting device

Spare Dial Gauges for the model F 50 with lifting device will be supplied like all the other Spare Dial Gauges without lifting device and without feeler but with extension 3.2236.

Delivery of a Spare Dial Gauge for F 50 with the upper feeler form a, b, c, d or e at a surcharge.

Spare Dial Gauge for F 50 with lifting device	
Reading	0,001 mm
Range	5 mm
Range per revolution	0,2 mm
Bezel-Ø	58 mm
Stem-Ø	8 h 6
Accuracy according to works standard	0.0500.9.0001, edition 4/2001 hysteresis fu however not checked
Standard feeler	without
Optional feelers	forms a, b, c, d or e



Digital Thickness Gauge FD 50

with lifting device

Digital Thickness Gauge FD 200/25

with lifting device

The large digital display has a good visual perception for easy reading of the measuring result. While the model FD 50 together with Stand 2.1670 can be used as table model, the model FD 200/25 with reinforced frame is only available without Stand for use solely as portable instrument.

The use of aluminium for the robust body of the instruments makes them light and easy to handle.

Digital Thickness Gauge FD 50 with lifting device	
Resolution	0,001 mm / .00005"
Range	10 mm / .400"
Depth of jaw	50 mm
Digital display LCD, height of digits	8,5 mm
Measuring system	inductive
Power supply	on Lithium battery 3 V
Battery life	3000 h
Output	RS 232, optoelectronic
Working temperature	+5 °C – +40 °C
Maximum error	5 µm / .0002"
Standard feeler	form c
Optional feelers	forms a, b, d or e

Digital Thickness Gauge FD 200/25 with lifting device	
Resolution	0,001 mm / .00005"
Range	25 mm / 1"
Depth of jaw	200 mm
Digital display LCD, height of digits	8,5 mm
Measuring system	inductive
Power supply	on Lithium battery 3 V
Battery life	3000 h
Output	RS 232, optoelectronic
Working temperature	+5 °C – +40 °C
Maximum error	5 µm / .0002"
Standard feeler	form c
Optional feelers	forms a, b, d or e



Spare Dial Gauges are available for all Digital Thickness Gauges. They will be delivered without feeler and without lifting device but with extension for mounting the upper feelers form a or b. For the feelers form c, d and e the extension is not required.

For all Digital Thickness Gauges the data connection cable DCMD 232, illustrated on page 74, can be used as suitable accessory.

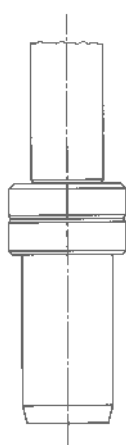
Feelers

for Pocket Dial Thickness Gauges

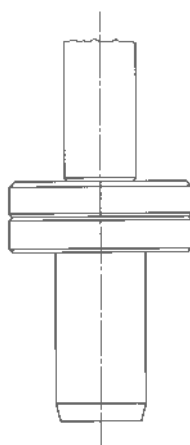
Pocket Dial Thickness Gauges are used for measuring the thickness of a very wide range of materials such as leather, paperboard, paper, felt, rubber, glass, sheet, metal, films, plywood and plastics. The shape of the feelers should be adapted to the material being measured. If other feelers than the standard feelers are required then this is to be stated in the order. (Example: J 45 with spherical feelers).

Standard feelers 6,35 mm Ø flat will be supplied unless otherwise stated on the order. The other three anvils shown below are available on request. The type of feeler does not affect the price of the Dial Thickness Gauge. Please note that the feelers are not interchangeable.

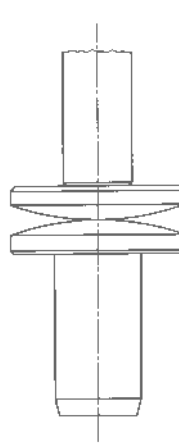
The Thickness Gauges K 15, K 15/2, J 15 and J 45 with feelers 10 mm resp. 14 mm Ø, ground down at the rear, are available at a surcharge. In this case the instrument is placed flat down on the table and is thus best suited for batch measurements of small components.



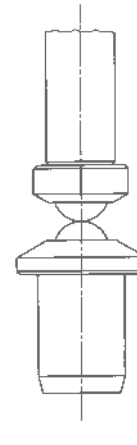
Standard feeler
6,35 mm Ø flat



Optional feeler
10 mm Ø flat



Optional feeler
convex



Optional feeler
spherical

Pocket Dial Thickness Gauge K 15

Pocket Dial Thickness Gauge K 15/2



The Pocket Dial Thickness Gauges K 15 and K 15/2 are supplied with flat feelers 6,35 mm Ø if no other form of feelers is ordered. When ordering, please state whether you require another form of feelers than 6,35 mm Ø flat. The optional feelers 10 mm Ø flat, convex or spherical are supplied at the same price. As the feelers are pressed in into the frame they are not individually exchangeable.

On request the Pocket Dial Thickness Gauges K 15 and K 15/2 can be supplied with a spindle blocking screw. The instruments can easily be set to zero by turning the knurled bezel.

Pocket Dial Thickness Gauge K 15

Reading	0,1 mm
Range	10 mm
Range per revolution	10 mm
Depth of jaw	15 mm
Accuracy according to works standard	0.0100.9.0004, edition 2/1990 hysteresis fu however not checked
Standard feeler	6,35 mm Ø flat
Optional feelers	10 mm Ø flat, convex or spherical

Pocket Dial Thickness Gauge K 15/2

Reading	0,1 mm
Range	20 mm
Range per revolution	10 mm
Depth of jaw	15 mm
Accuracy according to works standard	0.0100.9.0004, edition 2/1990 hysteresis fu however not checked
Standard feeler	6,35 mm Ø flat
Optional feelers	10 mm Ø flat, convex or spherical



Pocket Dial Thickness Gauge J 12

The Pocket Dial Thickness Gauge J 12 is light and handy. Solidly made, it has a wide application for measuring accurately within its measuring range of 8 mm.

Pocket Dial Thickness Gauge J 12	
Reading	0,01 mm
Range	8 mm
Range per revolution	1 mm
Depth of jaw	12 mm
Accuracy according to	DIN 878
	hysteresis fu however not checked
Standard feeler	6,35 mm Ø flat
Optional feeler	spherical



Pocket Dial Thickness Gauge J 15

The Pocket Dial Thickness Gauge J 15 distinguishes itself distinctly by its up to date and ergonomical design.

The Pocket Dial Thickness Gauge J 15 is equipped with plastic insulating plates. It is supplied in a transparent plastic case.

The Pocket Dial Thickness Gauge J 45 is of similar design except for the jaw depth of 45 mm.

Pocket Dial Thickness Gauge J 15	
Reading	0,01 mm
Range	10 mm
Range per revolution	1 mm
Depth of jaw	18 mm
Accuracy according to	DIN 878
	hysteresis fu however not checked
Standard feeler	6,35 mm Ø flat
Optional feelers	10 mm Ø flat, convex or spherical



The feelers are in contact when the Pocket Dial Thickness Gauges J 12 and J 15 are not in use. The serrated lifting wheel opens them for the insertion of the component. The size can be easily read off the scale. The instruments can be zeroed by using the knurled adjusting bezel.

Standard feelers 6,35 mm Ø will be supplied unless otherwise stated on the order. The optional feelers are available on request. The type of the feeler does not affect the price of the Pocket Dial Thickness Gauges. Please note that the feelers are not interchangeable.

A special execution of the model J 15 for checking of drill core diameters up to max. 4 mm is equipped with feelers made of tungsten carbide according to drawing 791030/3. Please request our offers.

Dial Thickness Gauge J 50 R

This model has side discs at the lower roller for guiding the thread. It is therefore suited for measuring the thickness of wires and threads especially in continuous motion.

Dial Thickness Gauge J 50 R with side discs	
Reading	0,01 mm
Range	5 mm
Range per revolution	1 mm
Bezel-Ø	58 mm
Depth of jaw	50 mm
Standard feeler	rollers with side discs
Width of the rollers	8,7 mm
Ø of the rollers	8,4 mm



Dial Thickness Gauge J 50 R

without side discs

This model has no side discs at the lower roller. It is therefore suited for the measurement of paper, foil, metal and sheet.

Dial Thickness Gauge J 50 R without side discs	
Reading	0,01 mm
Range	5 mm
Range per revolution	1 mm
Bezel-Ø	58 mm
Depth of jaw	50 mm
Standard feeler	rollers without side discs
Width of the rollers	8,7 mm
Ø of the rollers	8,4 mm

Thickness Gauges with roller feelers are available in many variants:

- **Dial Thickness Gauge K 50 R**
reading 0,1 mm, range 10 mm
- **Dial Thickness Gauge J 50/3 R**
reading 0,01 mm, range 20 mm
- **Dial Thickness Gauge K 100 R**
reading 0,1 mm, range 10 mm
depth of jaw 100 mm
- **Dial Thickness Gauge K 200 R**
reading 0,1 mm, range 10 mm
depth of jaw 200 mm
- **Dial Thickness Gauge J 200 R**
reading 0,01 mm, range 10 mm
depth of jaw 200 mm
- **Dial Thickness Gauge F 50 R**
reading 0,001 mm, range 5 mm
depth of jaw 50 mm
- **Digital Thickness Gauge JD 50 R**
resolution 0,01 mm / .0005"
range 10 mm / .400"
depth of jaw 50 mm
- **Digital Thickness Gauge JD 100 R**
resolution 0,01 mm / .0005"
range 10 mm / .400"
depth of jaw 100 mm
- **Digital Thickness Gauge FD 50 R**
resolution 0,001 mm / .00005"
range 10 mm / .400"
depth of jaw 50 mm

Please request our offers.

Wall Thickness Gauge JD 50 W

with digital reading

These Thickness Gauges allow accurate and fast measurement of the thickness of tube walls. They are equipped with feelers 6 mm \varnothing which have at their end a collar with a radius of 1 mm. This enables it to check tubes which still have a burr from parting.

A ground feeler pin of 6 mm \varnothing is included.

Wall Thickness Gauge JD 50 W with digital reading	
Resolution	0,01 mm / .0005"
Range	10 mm / .400"
Depth of jaw	50 mm
Digital display LCD, height of digits	8,5 mm
Measuring system	inductive
Power supply	on Lithium battery 3 V
Battery life	3000 h
Output	RS 232, optoelectronic
Working temperature	+5 °C – +40 °C
Maximum error	20 μ m / .0008"

Wall Thickness Gauge J 50 W

with analogue reading

Wall Thickness Gauge J 50 W with analogue reading	
Reading	0,01 mm
Range	10 mm
Range per revolution	1 mm
Depth of jaw	50 mm
Bezel- \varnothing	58 mm
Accuracy according to	DIN 878
	hysteresis fu however not checked



Foil Dial Thickness Gauge F 1101/30

This handy instrument is used exclusively to measure the thickness of thin foils. The frame has the required rigidity, the insulation of the handle prevents transfer of heat from the hand of the user to the sensitive mechanical parts of the Dial Gauge.

One revolution of the pointer equals 0,1 mm. Because of the 100 divisions on the scale the measuring result can be more easily and more accurately read off as on the predecessor model F 1000/30.

The measuring force is approximately 2 N. If required the instrument can be supplied with a lower measuring force of 0,7 N.

Foil Dial Thickness Gauge F 1101/30 with extra accurate movement

Reading	0,001 mm
Range	1 mm
Range per revolution	0,1 mm
Dial reading	0-100
Plexi glass	glare free
Bezel-Ø	58 mm
Stem-Ø	8 h 6
Accuracy according to works standard	0.0500.9.0010, edition 1/2001 hysteresis fu however not checked
Standard feeler	6,35 mm Ø flat
Optional feelers	10 mm Ø flat, spherical upper feeler convex r = 15 or r = 40, lower feeler flat or convex r = 15



The predecessor model F 1000/30 of the new Foil Dial Thickness Gauge F 1101/30 is still available. One revolution of the pointer equals 0,2 mm corresponding to 200 graduations. Its measuring pressure is approximately 2 N. If required it can be supplied with a higher measuring force of 4,5 N or with a lower measuring force of 1,2 N.

Corrugation Dial Thickness Gauge J 50/3 WP

to EN 494

This handy Dial Thickness Gauge is used exclusively to measure the thickness of fibre - cement profiled sheet and other corrugated plates or irons. It is equipped with special feelers which have a camber of 2 mm and a width of 10 mm.

The concentric millimetre pointer allows easy and safe reading of the Dial Thickness Gauge.

Corrugation Dial Thickness Gauge J 50/3 WP to EN 494

Reading	0,01 mm
Range	20 mm
Range per revolution	1 mm
Bezel-Ø	58 mm
Accuracy according to	works standard 1.0200.9.0014, hysteresis fu however not checked
Standard feeler	radius 2 mm



In addition other purpose made Dial Thickness Gauges i.e. for leather or Pocket Dial Thickness Gauges for gauging precious stones are available on request.

Inch Reading Thickness Gauges

Considering frame execution and feelers, Inch Reading Dial Thickness Gauges conform to the metric models. This also applies to the M 3 thread of the Dial Gauges which is the same as in the metric models of Thickness Gauges. The feelers are interchangeable between metric and Inch models.

Inch Reading Dial Thickness Gauges differ from the models illustrated in the catalogue for metric reading

only by the scale division in Inch and the scale marking.

Thickness Gauges bearing the additional 'D' in their designation possess a digital indicating instrument.

The display can be selected to be either metric or Inch and therefore these instruments are listed in the table of metric models, too.

Technical data for Inch Reading Thickness Gauges

Type	Reading inch	Range inch	Depth of jaw inch	Lifting device	Form of feelers	
					standard	available on request
KZ 15	.005	.400	.600	no	6,35 mm Ø flat	} 10 mm Ø flat, convex or spherical
KZ 15/2	.005	.800	.600	no	6,35 mm Ø flat	
JZ 12	.001	.300	.500	yes	6,35 mm Ø flat	spherical
JZ 15	.001	.400	.700	yes	6,35 mm Ø flat	} 10 mm Ø flat, convex or spherical
JZ 45	.001	.400	1.800	yes	6,35 mm Ø flat	
JZ 50	.001	.400	2.000	no	c	a, b, d or e
JZ 50 with lifting device	.001	.400	2.000	yes	c	a, b, d or e
JD 50 with lifting device	.0005	.400	2.000	yes	c	a, b, d or e
JZ 50 R	.001	.200	2.000	yes	rollers	
JZ 50 R without side discs	.001	.200	2.000	yes	rollers without side discs	
JD 50 W	.0005	.400	2.000	yes	pin with collar for pipe walls	
JZ 100	.001	.400	4.000	yes	c	a, b, d or e
JD 100	.0005	.400	4.000	yes	c	a, b, d or e
JZ 200	.001	.400	8.000	yes	c	a, b, d or e
JD 200	.0005	.400	8.000	yes	c	a, b, d or e
JD 200/25	.0005	1.000	8.000	yes	c	a, b, d or e
FZ 1101/30	.00005	.040	1.200	yes	6,35 mm Ø flat	convex R 15 or R 40, flat 10 mm Ø, spherical
FD 50 with lifting device	.00005	.400	2.000	yes	c	a, b, d or e
FD 50/25	.00005	1.000	2.000	yes	c	a, b, d or e
FD 100/25	.00005	1.000	4.000	yes	c	a, b, d or e
FD 200/25	.00005	1.000	8.000	yes	c	a, b, d or e

The feelers listed in the column 'standard' will be mounted unless the order calls for specials. Dial Thickness Gauges can be supplied with feelers listed in the column 'available on request' without extra costs. Schematic diagrams of the feelers style a, b, c, d and e can be found on page 107.

Pocket Dial Thickness Gauge KZ 15

The Pocket Dial Thickness Gauge KZ 15 is supplied with flat feelers 6,35 mm Ø if no other form of feelers is ordered. When ordering, please state whether you require another form of feelers than 6,35 mm Ø flat.

The model KZ 15/2 differs from the model KZ 15 only by the to .800" extended measuring range.

Pocket Dial Thickness Gauge KZ 15	
Reading	.005"
Range	.400"
Range per revolution	.400"
Depth of jaw	.600"
Accuracy analogous to works standard	0.0100.9.0004, edition 2/1990 hysteresis fu however not checked
Standard feeler	6,35 mm Ø flat
Optional feelers	10 mm Ø flat, convex or spherical



Pocket Dial Thickness Gauge JZ 15

The Pocket Dial Thickness Gauge JZ 15 distinguishes itself distinctly by its up to date and ergonomical design.

The Pocket Dial Thickness Gauge JZ 15 is equipped with plastic insulating plates. It is supplied in a transparent plastic case.

The Pocket Dial Thickness Gauge JZ 45 is of similar design except for the jaw depth of 45 mm.

Pocket Dial Thickness Gauge JZ 15	
Reading	.001"
Range	.400"
Range per revolution	.040"
Depth of jaw	.700"
Accuracy analogous to	DIN 878 hysteresis fu however not checked
Standard feeler	6,35 mm Ø flat
Optional feelers	10 mm Ø flat, convex or spherical



At rest the feelers on models KZ 15 and KZ 15/2 are open. Pushing the button on top of the instrument brings them together.

The feelers are in contact when the Pocket Dial Thickness Gauges JZ 15 and JZ 45 are not in use. The serrated lifting wheel opens them for the insertion of the component. The size can be easily read off the scale. The instruments can be zeroed by using the knurled adjusting bezel.

Standard feelers 6,35 mm Ø will be supplied unless otherwise stated on the order. Optional feelers are available on request. The type of the feeler does not affect the price of the Pocket Dial Thickness Gauges. Please note that the feelers are not interchangeable.

Dial Thickness Gauge JZ 100

Dial Thickness Gauge JZ 200

Dial Thickness Gauges JZ 100 and JZ 200 differ only by their jaw depth and by the kind of lifting device. On model JZ 100 the latter is positioned on top of the Dial Gauge. On the Dial Thickness Gauge JZ 200 the lifting lever is attached to a pin through the measuring spindle. Because of the use of a reinforced frame for JZ 200 this model can just as the model JZ 200/30 only be supplied as portable instrument without Stand.

Dial Thickness Gauge JZ 100	
Reading	.001"
Range	.400"
Range per revolution	.1"
Bezel-Ø	2 1/4"
Depth of jaw	4.000"
Accuracy analogous to	DIN 878
	hysteresis fu however not checked
Standard feeler	form c
Optional feelers	forms a, b, d or e

Dial Thickness Gauge JZ 200	
Reading	.001"
Range	.400"
Range per revolution	.1"
Bezel-Ø	2 1/4"
Depth of jaw	8.000"
Accuracy analogous to	DIN 878
	hysteresis fu however not checked
Standard feeler	form c
Optional feelers	forms a, b, d or e



With the exception of Pocket Dial Thickness Gauges, Spare Dial Gauges are also available for Inch Reading Thickness Gauges. They have like all the other Spare Dial Gauges a M 3 thread and will be supplied without feeler but with extension 3.2236.

For a surcharge we will supply all Spare Dial Gauges with the upper feeler form a, b, c, d or e.

Spare Dial Gauge for JZ 100	
Reading	.001"
Range	.400"
Range per revolution	.1"
Bezel-Ø	2 1/4"
Stem-Ø	8 h 6
Accuracy analogous to	DIN 878
	hysteresis fu however not checked
Standard feeler	without
Optional feelers	forms a, b, c, d or e

Spare Dial Gauge for JZ 200	
Reading	.001"
Range	.400"
Range per revolution	.1"
Bezel-Ø	2 1/4"
Stem-Ø	8 h 6
Accuracy analogous to	DIN 878
	hysteresis fu however not checked
Standard feeler	without
Optional feelers	forms a, b, c, d or e

Foil Dial Thickness Gauge FZ 1101/30

This handy instrument is used exclusively to measure the thickness of thin foils. The frame has the required rigidity, the insulation of the handle prevents transfer of heat from the hand of the user to the sensitive mechanical parts of the Dial Gauge.

The measuring pressure is approximately 2 N. If required the instrument can be supplied with a lower measuring force of 0,7 N.

Foil Dial Thickness Gauge FZ 1101/30

Reading	.00005"
Range	.040"
Range per revolution	.005"
Dial reading	0-50
Plexi glass	glare free
Bezel-Ø	2 ¼"
Accuracy according to works standard	0.0500.9.0010, edition 2003 hysteresis fu however not checked
Standard feeler	6,35 mm Ø flat
Optional feelers	10 mm Ø flat, spherical upper feeler convex r = 15 or r = 40, lower feeler flat or convex r = 15





Käfer Messuhrenfabrik GmbH & Co. KG
POB 3380
D-78022 Villingen-Schwenningen

Factory and administration:
Hahnstraße 11
78054 Villingen-Schwenningen
Phone: +49 (0) 77 20/8341-0
Fax: +49 (0) 77 20/2 18 68
e-mail: info@kaefer-messuhren.de
Internet: www.kaefer-messuhren.de