

Slewing bearings



7 General

- 8 Units conversion
- 9 Foreword
- 10 Slewing bearings
- 12 Common SKF slewing bearings
- 14 Other SKF slewing bearings

17 Principles of slewing bearing selection and application

- 18 Selection of slewing bearing type
- 20 Selection of slewing bearing size
- 23 Application of slewing bearings
- 28 Slewing bearing gear
- 30 Lubrication
- 34 Application data sheet for slewing bearing arrangements

39 Mounting, inspection and storage

- 40 General information
- 42 Mounting recommendations
- 47 Inspection
- 49 Storage

51 Single row four-point contact ball slewing bearings

- 52 Product data – general
- 62 Product tables
- 62 Light series four-point contact ball slewing bearings
- 68 Medium size four-point contact ball slewing bearings
- 82 Customized four-point contact ball slewing bearings

85 Single row crossed cylindrical roller slewing bearings

- 86 Product data – general
- 90 Product tables
- 92 Medium size crossed cylindrical roller slewing bearings
- 104 Customized crossed cylindrical roller slewing bearings

117 Product index

SKF – the knowledge engineering company

From one simple but inspired solution to a misalignment problem in a textile mill in Sweden, and fifteen employees in 1907, SKF has grown to become a global industrial knowledge leader.



Over the years, we have built on our expertise in bearings, extending it to seals, mechatronics, services and lubrication systems. Our knowledge network includes 46 000 employees, 15 000 distributor partners, offices in more than 130 countries, and a growing number of SKF Solution Factory sites around the world.

Research and development

We have hands-on experience in over forty industries based on our employees' knowledge of real life conditions. In addition, our world-leading experts and university partners pioneer advanced theoretical research and development in areas including tribology, condition monitoring, asset management and bearing life theory. Our ongoing commitment to research and development helps us keep our customers at the forefront of their industries.



Meeting the toughest challenges

Our network of knowledge and experience, along with our understanding of how our core technologies can be combined, helps us create innovative solutions that meet the toughest of challenges. We work closely with our customers throughout the asset life cycle, helping them to profitably and responsibly grow their businesses.

Working for a sustainable future

Since 2005, SKF has worked to reduce the negative environmental impact from our operations and those of our suppliers. Our continuing technology development resulted in the introduction of the SKF BeyondZero portfolio of products and services which improve efficiency and reduce energy losses, as well as enable new technologies harnessing wind, solar and ocean power. This combined approach helps reduce the environmental impact both in our operations and our customers' operations.

SKF Solution Factory makes SKF knowledge and manufacturing expertise available locally to provide unique solutions and services to our customers.

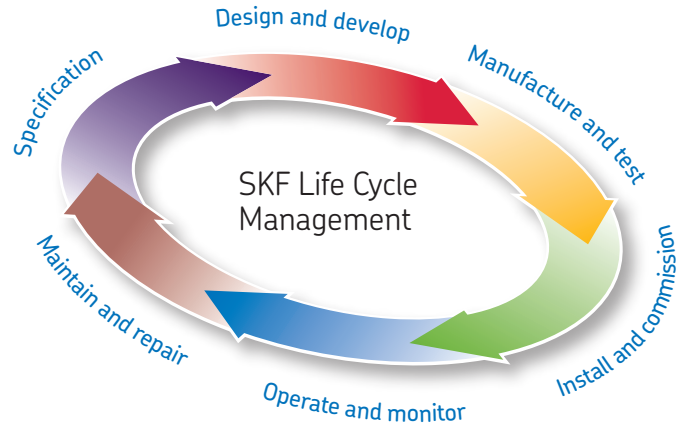


Working with SKF IT and logistics systems and application experts, SKF Authorized Distributors deliver a valuable mix of product and application knowledge to customers worldwide.



Our knowledge – your success

SKF Life Cycle Management is how we combine our technology platforms and advanced services, and apply them at each stage of the asset life cycle, to help our customers to be more successful, sustainable and profitable.



Working closely with you

Our objective is to help our customers improve productivity, minimize maintenance, achieve higher energy and resource efficiency, and optimize designs for long service life and reliability.



Bearings

SKF is the world leader in the design, development and manufacture of high performance rolling bearings, plain bearings, bearing units and housings.

Innovative solutions

Whether the application is linear or rotary or a combination, SKF engineers can work with you at each stage of the asset life cycle to improve machine performance by looking at the entire application. This approach doesn't just focus on individual components like bearings or seals. It looks at the whole application to see how each component interacts with each other.



Machinery maintenance

Condition monitoring technologies and maintenance services from SKF can help minimize unplanned downtime, improve operational efficiency and reduce maintenance costs.

Design optimization and verification

SKF can work with you to optimize current or new designs with proprietary 3-D modelling software that can also be used as a virtual test rig to confirm the integrity of the design.



Sealing solutions

SKF offers standard seals and custom engineered sealing solutions to increase uptime, improve machine reliability, reduce friction and power losses, and extend lubricant life.



Mechatronics

SKF fly-by-wire systems for aircraft and drive-by-wire systems for off-road, agricultural and forklift applications replace heavy, grease or oil consuming mechanical and hydraulic systems.



Lubrication solutions

From specialized lubricants to state-of-the-art lubrication systems and lubrication management services, lubrication solutions from SKF can help to reduce lubrication related downtime and lubricant consumption.



Actuation and motion control

With a wide assortment of products – from actuators and ball screws to profile rail guides – SKF can work with you to solve your most pressing linear system challenges.



General

- 8** Units conversion
- 9** Foreword
- 10** Slewing bearings
- 12** Common SKF slewing bearings
 - 12 Single row four-point contact ball slewing bearings
 - 12 Single row crossed cylindrical roller slewing bearings
- 14** Other SKF slewing bearings
 - 14 Double row ball slewing bearings
 - 14 Double row cylindrical roller slewing bearings
 - 15 Triple row roller slewing bearings
 - 15 Combined cylindrical roller/ball slewing bearings
 - 15 Wire race slewing bearings

Units conversion

| Quantity | Imperial unit | Metric SI units to imperial units | | Imperial units to metric SI units | |
|-------------------------|------------------------|-----------------------------------|--|-----------------------------------|--|
| Length | inch | 1 mm | 0,039 inch | 1 in | 25,40 mm |
| | foot | 1 m | 3,281 ft | 1 ft | 0,3048 m |
| | yard | 1 m | 1,094 yd | 1 yd | 0,9144 m |
| | mile | 1 km | 0,6214 mile | 1 mile | 1,609 km |
| Area | square inch | 1 mm ² | 0,00155 sq.in | 1 sq.in | 645,16 mm ² |
| | square foot | 1 m ² | 10,76 sq.ft | 1 sq.ft | 0,0929 m ² |
| Volume | cubic inch | 1 cm ³ | 0,061 cub.in | 1 cub.in | 16,387 cm ³ |
| | cubic foot | 1 m ³ | 35 cub.ft | 1 cub.ft | 0,02832 m ³ |
| | imperial gallon | 1 l | 0,22 gallon | 1 gallon | 4,5461 l |
| | U.S. gallon | 1 l | 0,2642 U.S. gallon | 1 U.S. gallon | 3,7854 l |
| Velocity, speed | foot per second | 1 m/s | 3,28 ft/s | 1 ft/s | 0,30480 m/s |
| | mile per hour | 1 km/h | 0,6214 mile/h (mph) | 1 mile/h (mph) | 1,609 km/h |
| Mass | ounce | 1 g | 0,03527 oz | 1 oz | 28,350 g |
| | pound | 1 kg | 2,205 lb | 1 lb | 0,45359 kg |
| | short ton | 1 tonne | 1,1023 short ton | 1 short ton | 0,9072 tonne |
| | long ton | 1 tonne | 0,9842 long ton | 1 long ton | 1,0161 tonne |
| Density | pound per cubic inch | 1 g/cm ³ | 0,0361 lb/cub.in | 1 lb/cub.in | 27,680 g/cm ³ |
| Force | pound-force | 1 N | 0,225 lbf | 1 lbf | 4,4482 N |
| Pressure, stress | pounds per square inch | 1 MPa | 145 psi | 1 psi | 6,8948 × 10 ³ Pa |
| Moment | inch pound-force | 1 Nm | 8,85 in.lbf | 1 in.lbf | 0,113 Nm |
| Power | foot-pound per second | 1 W | 0,7376 ft lbf/s | 1 ft lbf/s | 1,3558 W |
| | horsepower | 1 kW | 1,36 HP | 1 HP | 0,736 kW |
| Temperature | degree | Celsius | t _C = 0,555 (t _F - 32) | Fahrenheit | t _F = 1,8 t _C + 32 |

Foreword

This catalogue shows the range of SKF single row four-point contact ball and single row crossed cylindrical roller slewing bearings, which are in regular demand and are used in a variety of applications. This range of SKF slewing bearings, which is based on SKF experience, offers a number of benefits:

- simplified bearing selection and application design work
- long-term stable supply
- worldwide availability
- no minimum order quantities
- simplified ordering and stocking

This catalogue contains basic data relevant to slewing bearings. More detailed information for a particular slewing bearing can be supplied on request.

The data in this catalogue relate to SKF's state-of-the-art technology and production capabilities. The data may differ from that shown in earlier publications because of redesign, technological developments, or revised methods of calculation.

SKF reserves the right to make continuing improvements to SKF products with respect to materials, design and manufacturing methods, as well as changes necessitated by technological developments

The general information relating to a specific bearing is provided immediately preceding the table listing that bearing. General information and information common to all slewing bearings can be found in the chapters "Principles of bearing selection and application" and "Mounting, inspection and storage". Please note that all information related to bearing performance, e.g. load ratings, are only valid, when the bearings have been installed and maintained according to the instructions contained in this catalogue.

The catalogue is designed so that product information is easy to find and use. In order to enable the user to quickly find the technical data for a slewing bearing known only by its designation, the products are listed by designation in alphanumeric order in the "Product index", starting on **page 114**. Each entry lists the page number where the bearing can be found and provides a brief description of the product.

Please note that the items included in this catalogue do not represent the complete SKF slewing bearing range and that new items may be added in the future.

NOTE: All information related to bearing performance, e.g. load ratings, are only valid when the bearings have been installed and maintained properly, at least according to the instructions contained in this catalogue.

Slewing bearings

Generally, slewing bearings are large-size rolling bearings that can accommodate axial, radial and moment loads acting either singly or in combination and in any direction. They can perform both slewing (oscillating) movements as well as rotational movements.

Basically, a slewing bearing (→ **fig. 1**) consists of an inner ring (**a**), an outer ring (**b**) and rolling elements – balls (**c**) or cylindrical rollers – that are separated by polyamide spacers (**d**). The rings, one of which usually incorporates a gear (**e**), are provided with holes (**f**) to accommodate attachment bolts. The holes may be threaded. Generally, only the raceways in the rings (**h**) are hardened and precision-ground. Integral seals (**g**) made of acrylonitrile-butadiene rubber (NBR) keep the lubricant in, and contaminants out of the bearing. Slewing bearings are relubricated

through grease fittings (**i**) to reduce maintenance and operating costs.

Compared to traditional pivot arrangements, slewing bearing arrangements provide many design and performance advantages. The compactness and large inner diameter simplify the design of the bearing arrangement and its associated components. The low sectional height of these bearings means that the pinion lever can be kept short. In most cases only flat surfaces on the associated components are needed.

Slewing bearings were originally designed to be mounted only on horizontal support structures, but can now be used successfully in vertical bearing arrangements. The forces and load distribution in slewing bearings, when subjected to axial, radial and moment loads, are shown in **figs. 2 to 5**.

Slewing bearings perform extremely well in a variety of applications such as:

- access platforms
- bucket wheel excavators
- conveyor booms
- cranes of all types
- small, medium and large excavators
- indexing tables
- ladle turrets
- offshore applications
- robots
- railway bogies
- rotary platforms
- stackers
- solar mirrors
- tunnel boring machines
- wind turbines

Fig. 1

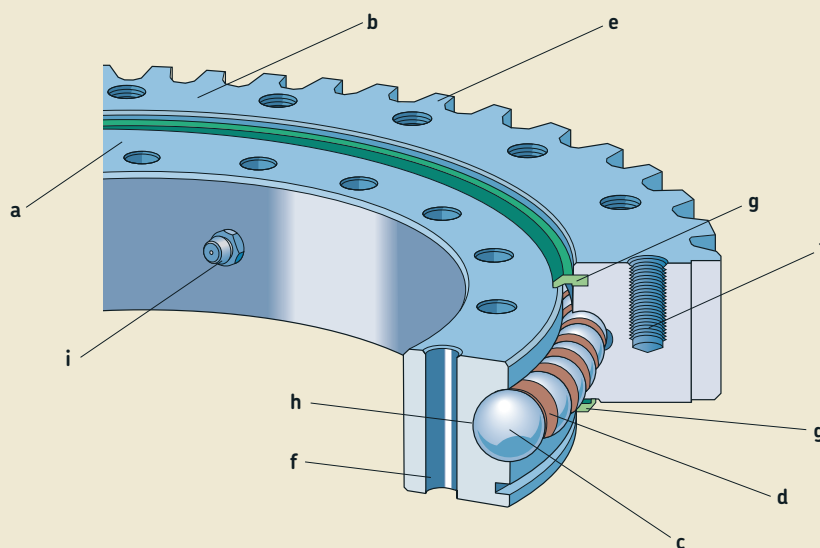
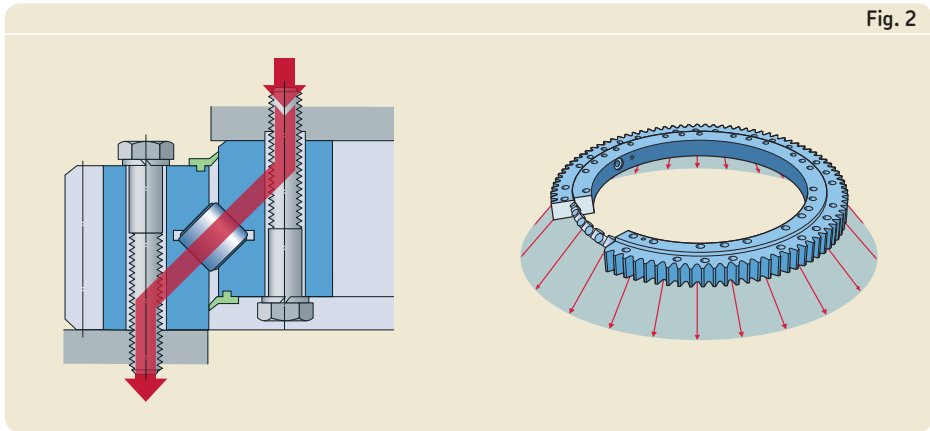
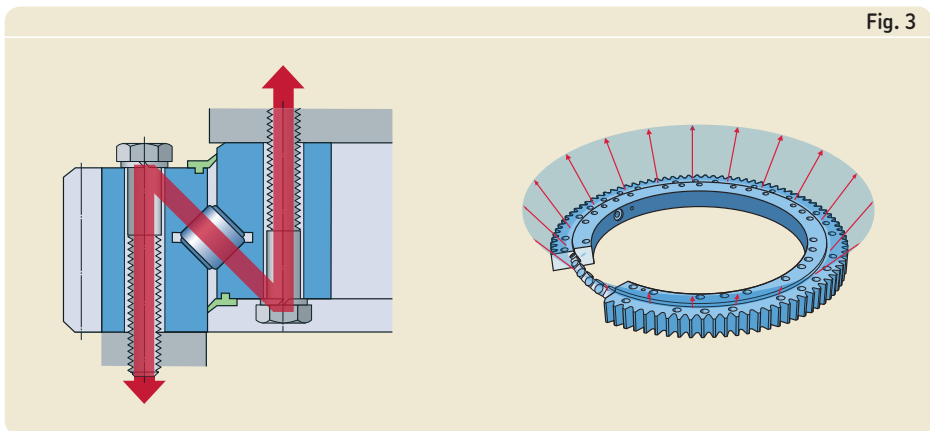


Fig. 2



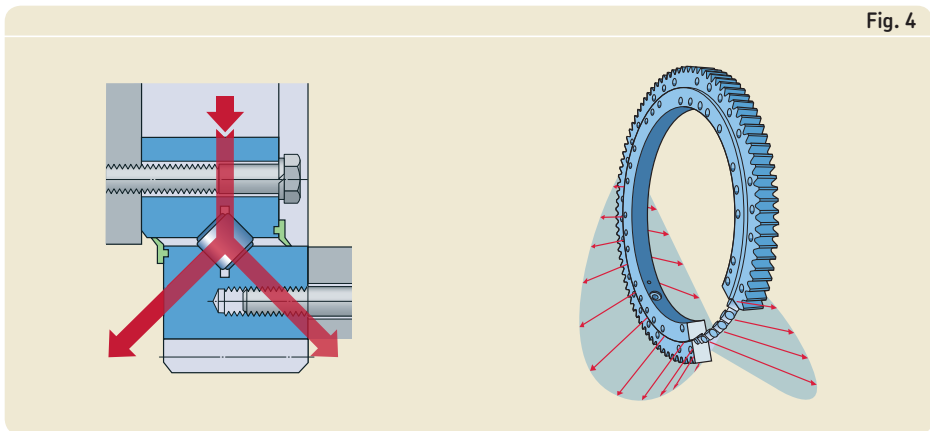
Transmission of axial loads in a supported slewing bearing

Fig. 3



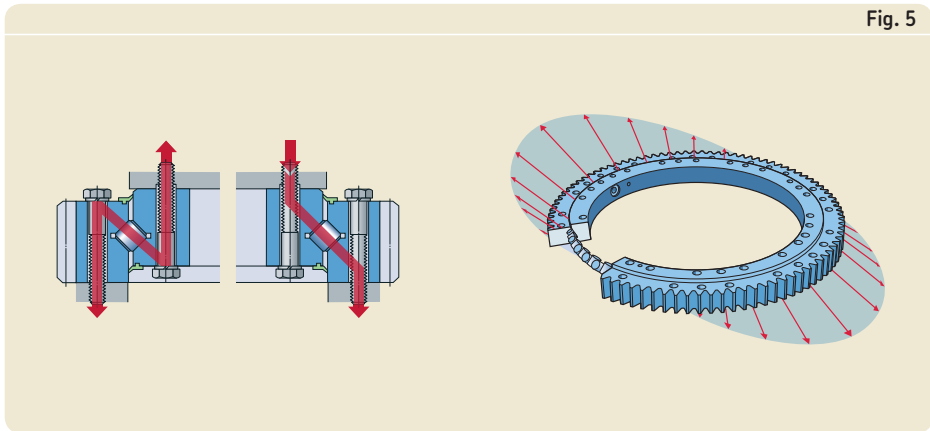
Transmission of axial loads in a suspended slewing bearing

Fig. 4



Transmission of radial loads in a vertical arranged slewing bearing

Fig. 5



Transmission of moments in a supported slewing bearing

Common SKF slewing bearings

SKF manufactures slewing bearings in a number of types and variants. The most common bearings available from stock or within short lead times are:

- single row four-point contact ball slewing bearings
- single row crossed cylindrical roller slewing bearings

These standard slewing bearings are introduced in the following pages and listed with their performance data in the relevant product tables. Commonly ordered customized bearings are listed in separate product tables, starting on **page 78** and **page 102**.

SKF also manufactures a wide range of other types of slewing bearings. A brief description of these bearings can be found under the heading "Other SKF slewing bearings", starting on **page 12**. For additional information about these bearings, contact the SKF application engineering service.

Single row four-point contact ball slewing bearings

Light series four-point contact ball slewing bearings (→ **fig. 1**)

- with an external gear (**a**)
- with an internal gear (**b**)
- without a gear (**c**)

Medium size four-point contact ball slewing bearings (→ **fig. 2**)

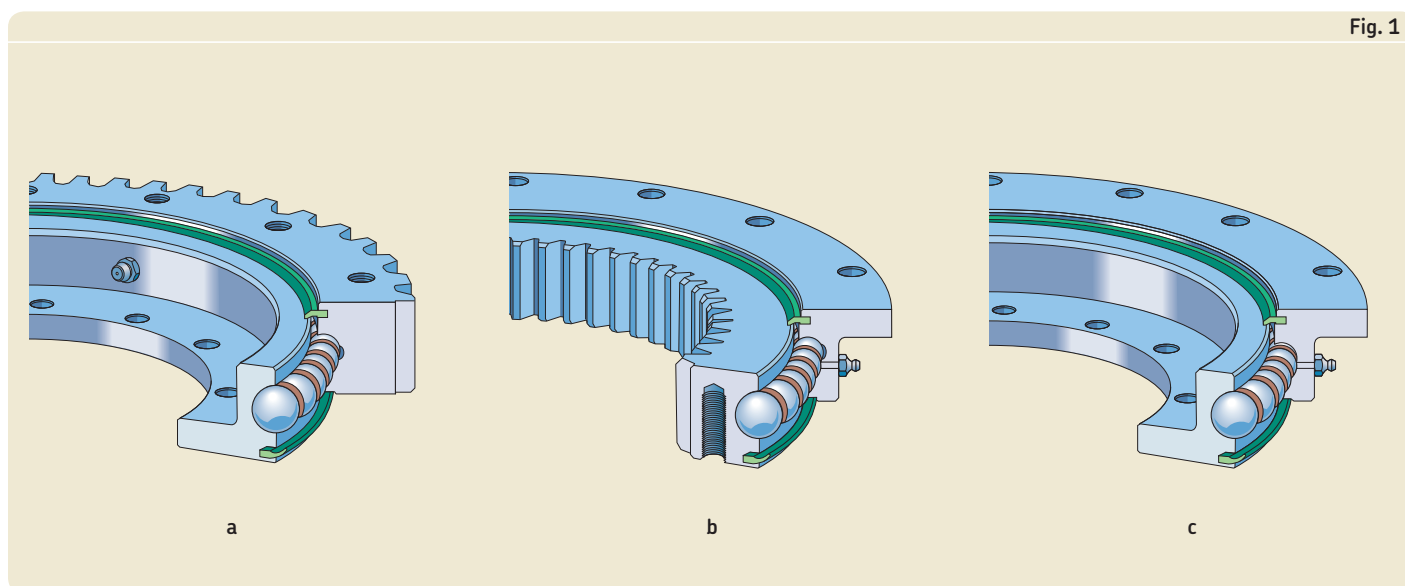
- with an external gear (**a**)
- with an internal gear (**b**)
- without a gear (**c**)

Single row crossed cylindrical roller slewing bearings

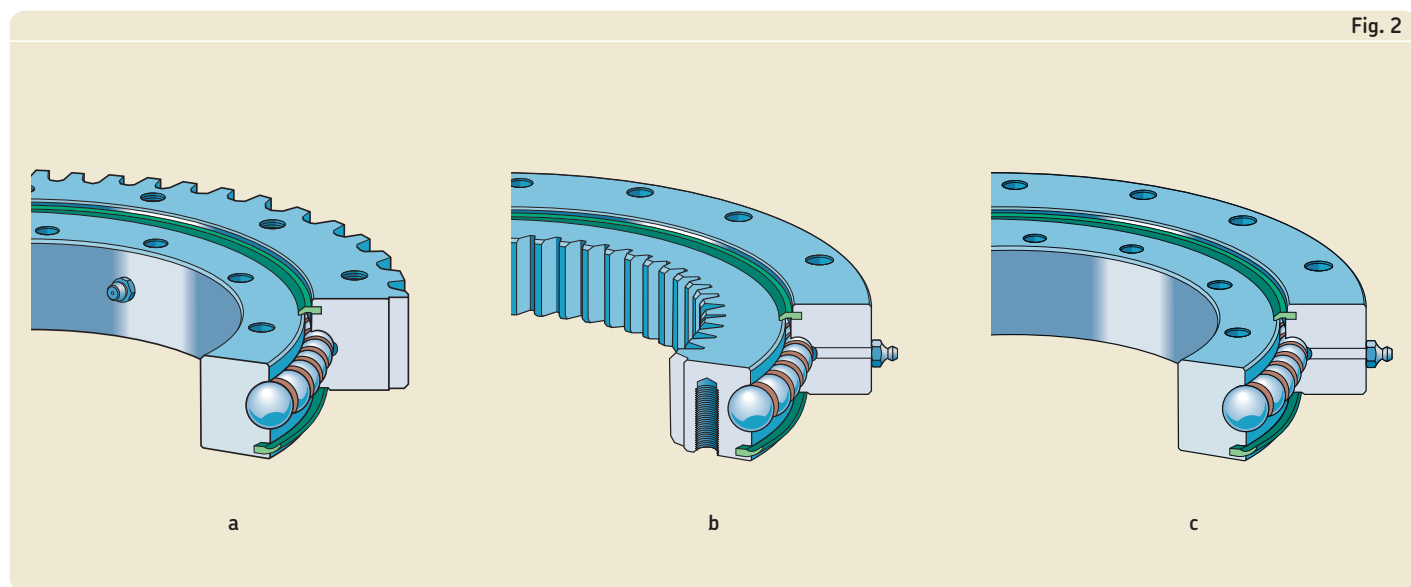
Medium size crossed cylindrical roller slewing bearings (→ **fig. 3**)

- with an external gear (**a**)
- with an internal gear (**b**)
- without a gear (**c**)

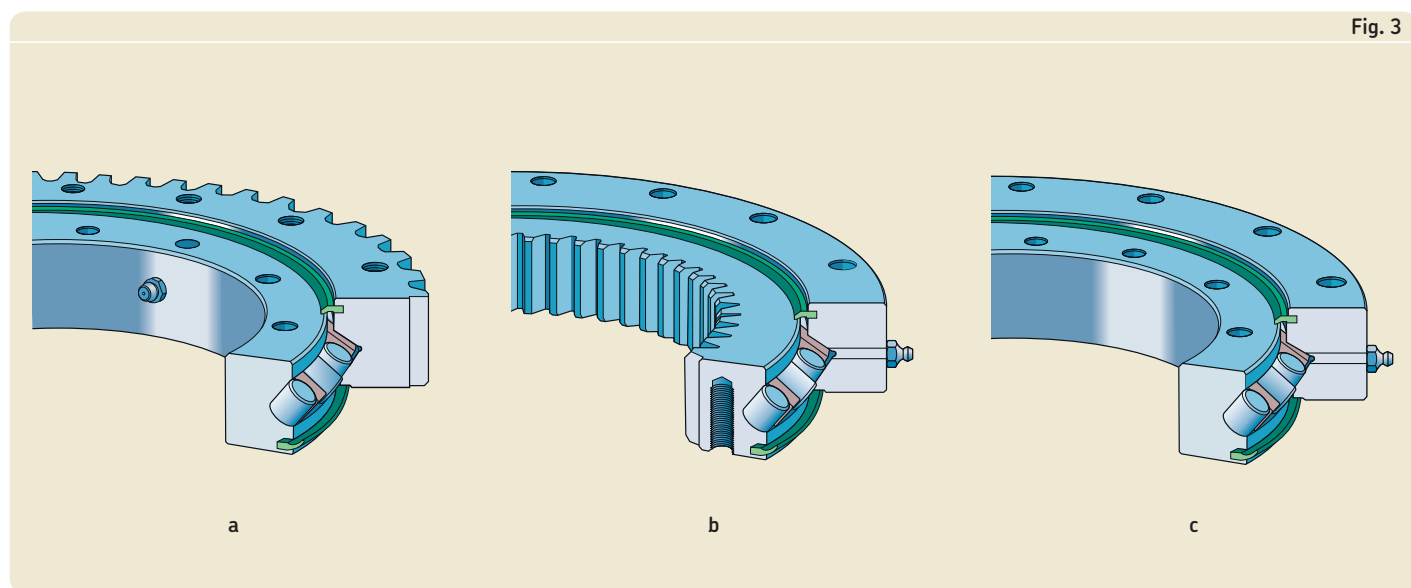
Light series four-point contact ball slewing bearings



Medium size four-point contact ball slewing bearings



Medium size crossed cylindrical roller slewing bearings



Other SKF slewing bearings

The SKF slewing bearings listed in this catalogue represent only a part of the comprehensive SKF assortment. These bearings, which have an outside diameter ranging from 50 to 7 900 mm, are available with one-piece rings. Larger bearings with an outside diameter up to 14 000 mm have segmented rings. For the purpose of this catalogue, only examples of these large bearings are shown to illustrate SKF's manufacturing capabilities.

Double row ball slewing bearings

Double row four-point contact ball slewing bearings offer advantages for applications where the associated components may not be able to provide the level of stiffness or accuracy required by other types of slewing bearings.

These bearings consist of two one-piece rings and two independent rows of balls. The ball set can be a full complement design or separated by a window-type steel cage or polyamide spacers. The bearings are normally preloaded and fitted with integral lip seals.

Double row four-point contact ball slewing bearings can be manufactured:

- without a gear
- with an internal gear (→ fig. 1)
- with an external gear

Double row cylindrical roller slewing bearings

Double row cylindrical roller slewing bearings can accommodate heavy axial and radial loads as well as high tilting moments, which makes them particularly suitable for heavy-duty applications.

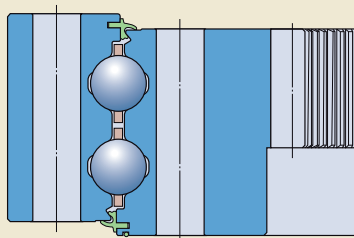
The bearings consist of two one-piece rings and two independent rows of rollers. The rollers are inserted into the bearing via two holes in one of the two rings and are separated by polyamide spacers. After loading the roller set, the holes are closed with a plug that conforms to the raceway contour. These bearings are normally preloaded and fitted with integral lip seals.

Double row cylindrical roller slewing bearings can be manufactured:

- without a gear
- with an internal gear (→ fig. 2)
- with an external gear

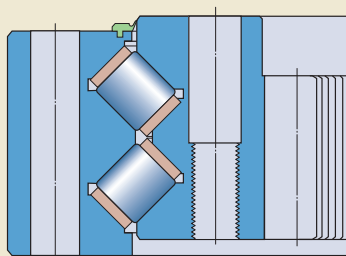
Double row ball slewing bearing with an internal gear

Fig. 1



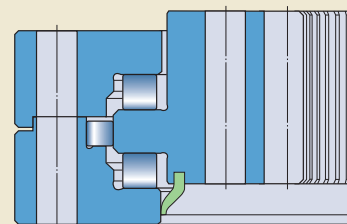
Double row cylindrical roller slewing bearing with an internal gear

Fig. 2



Triple row roller slewing bearing with an internal gear

Fig. 3



Triple row roller slewing bearings

Triple row roller slewing bearings are an excellent choice for heavily loaded applications. They provide the highest load ratings possible and can accommodate very heavy loads and high tilting moments.

These bearings are combined cylindrical roller radial/thrust bearings. They consist of one one-piece and one two-piece ring as well as two roller sets to accommodate axial loads, and one roller set to accommodate radial loads. Polyamide cages separate the axially loaded rollers. The bearings are not preloaded and have integral lip seals.

Triple row roller slewing bearings can be manufactured:

- without a gear
- with an internal gear (→ fig. 3)
- with an external gear

Triple row roller slewing bearings are sensitive to the deflections of associated components. As a result, an extremely stiff and accurately manufactured support structure is required if the bearing is to achieve maximum service life.

Combined cylindrical roller/ball slewing bearings

Combined cylindrical roller/ball slewing bearings can accommodate the same heavy axial loads as triple row roller slewing bearings in one direction only, but cannot accommodate the same degree of tilting moments. They are suitable for heavy-duty applications, but are as sensitive as triple row bearings to surface imperfections.

Combined cylindrical roller/ball slewing bearings consist of two one-piece rings and normally have axial internal clearance. The balls are inserted into the bearing via a hole in one of the two rings and are separated by polyamide spacers.

Combined cylindrical roller/ball slewing bearings can be manufactured:

- without a gear
- with an integral gear
- with an external gear (→ fig. 4)

Wire race slewing bearings

SKF offers a wide range of single row as well as multi-row ball or cylindrical roller wire race slewing bearings. Single row four point contact ball wire race slewing bearings (→ fig. 5) and single row crossed cylindrical roller wire race slewing bearings (→ fig. 6) are the most widely used slewing bearing types and normally consist of:

- a one-piece and a two-piece bearing ring made of aluminium
- four through-hardened wire inserts made of bearing steel, forming the raceways
- a cage guided rolling element assembly

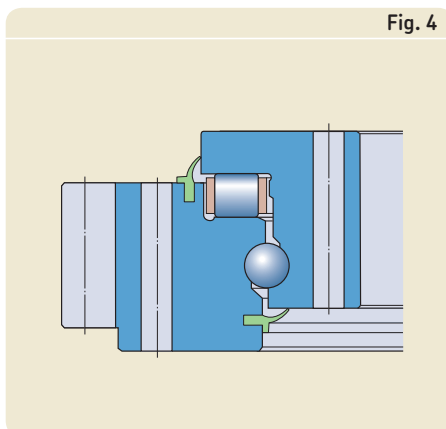
Single row wire race slewing bearings are recommended for lightweight, precision applications. They are 70% lighter than similarly sized all-steel bearings, and can accommodate light to normal loads and significant tilting moments. Furthermore, the design of the wire inserts makes these bearings relatively insensitive to support surface imperfections.

Multi-row wire race slewing bearings, such as double or triple row roller bearings, are available for heavier load applications.

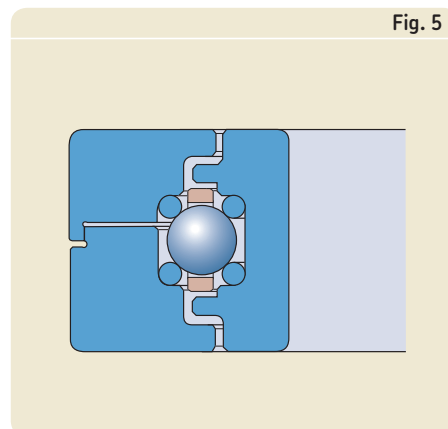
Wire race slewing bearings can be manufactured:

- without a gear
- with an internal gear
- with an external gear

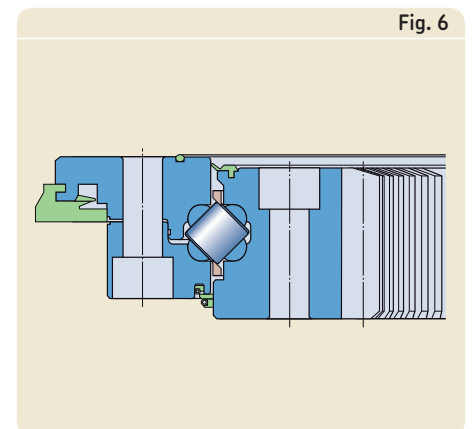
Combined cylindrical roller/ball slewing bearing with an external gear

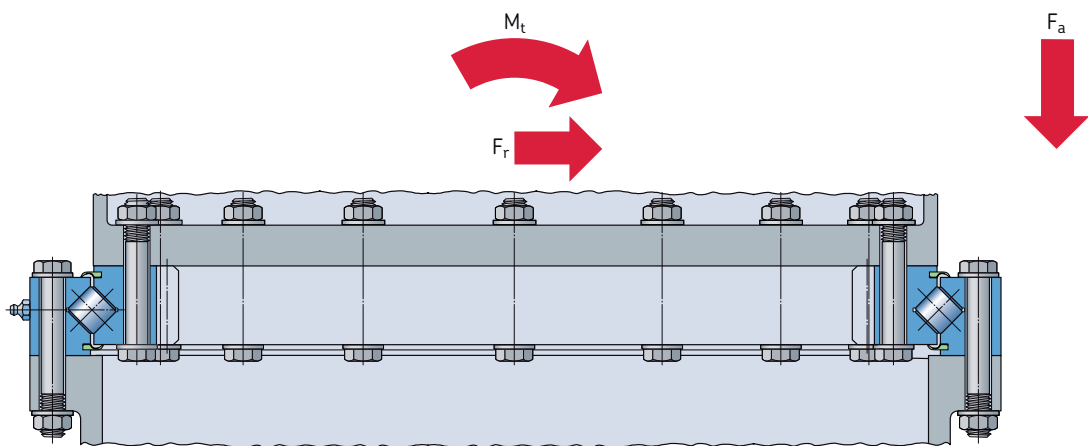


Single row ball wire race slewing bearing



Single row cylindrical roller wire race slewing bearing with an internal gear





Principles of slewing bearing selection and application

18 Selection of slewing bearing type

- 19 Accuracy
- 19 Magnitude and direction of loads
- 19 Permissible operating temperature
- 19 Vibration
- 19 Operating speed
- 19 Sealing

20 Selection of slewing bearing size

20 Determining bearing loads

21 Determining bearing size

- 21 Raceway capacity
- 21 Bolting capacity

22 Selection example

23 Application of slewing bearings

23 Associated components

- 23 Support structure
- 24 Support surfaces
- 24 Overall flatness tolerance
- 25 Flatness in the circumferential direction
- 25 Flatness in the radial direction

26 Attachment bolts

- 26 Surface pressure in bolt joints
- 26 Calculation of bolted joints

27 Sealing arrangements

28 Slewing bearing gear

28 Gear backlash

29 Pinions

30 Lubrication

30 Bearing lubrication

30 Gear lubrication

31 Relubrication intervals and quantities

- 31 Bearings
- 31 Gears

32 Relubrication procedures

- 32 Manual relubrication
- 32 Automatic relubrication

34 Application data sheet for slewing bearing arrangements

Selection of slewing bearing type

Each slewing bearing type has different characteristics based on its design, which make it more, or less, appropriate for a given application. For example, single row four-point contact slewing bearings have a simple and sturdy design that makes them cost-effective, while crossed cylindrical roller slewing bearings are used when accuracy and rigidity are key operational parameters or when zero operational clearance or preload is required.

Because several factors have to be considered when selecting a slewing bearing type, no general rules can be provided.

The information provided here are the most important factors to be considered when selecting a standard bearing type. Factors include:

- accuracy
- magnitude and direction of loads
- permissible operating temperature
- vibration
- operating speed
- sealing

A brief overview of the standard slewing bearing types and their suitability for a particular application can be found in **table 1**.

Selecting the appropriate slewing bearing can be a challenge, particularly if there are stringent technical, reliability or economic demands. In these cases, for example, it is advisable to consult the SKF application engineering service during the initial design phase. This service can do much more than help select a bearing. They can also provide expert advice in any of the following areas:

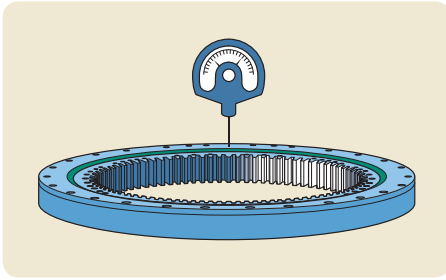
- design optimization
- lubrication systems
- sealing arrangements

To provide the SKF application engineering service with the information they need to help find the best technical solution for your application, SKF has developed a questionnaire, which can be found on **page 32**.

Table 1

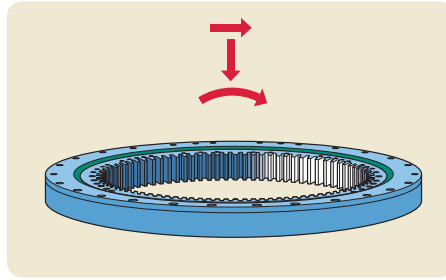
| Slewing bearing type | Suitability of bearings for | | | | |
|---|-----------------------------|-------------|--------------------|-----------|-------------------|
| | high running accuracy | high speeds | heavy static loads | vibration | long service life |
| Single row four-point contact ball slewing bearings | | | | | |
| Light series bearings | – | o | o | – | o |
| Medium size bearings | – | + | + | o | o |
| Customized bearings | – | + | + | o | o |
| Single row crossed cylindrical roller slewing bearings | | | | | |
| Medium size bearings | + | – | o | + | + |
| Customized bearings | + | – | o | + | + |

+ Recommended o Suitable – Not recommended



Accuracy

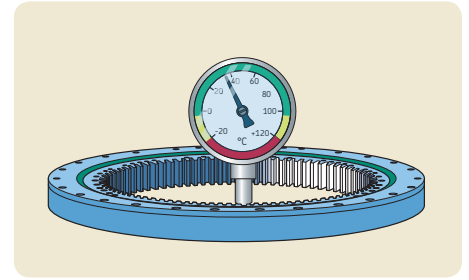
When preloaded, SKF crossed cylindrical roller slewing bearings provide a high degree of stiffness, due to the large roller/raceway contact area. These bearings, which have a high degree of running accuracy, are typically used when accurate positioning is a key operational parameter. Four-point contact ball slewing bearings have a lower degree of stiffness.



Magnitude and direction of loads

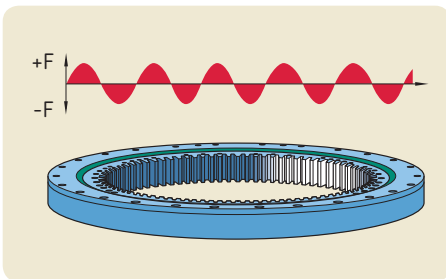
The magnitude of the load is one of the factors that usually determine the size of the bearing to be used. Generally, four-point contact ball slewing bearings are able to withstand heavy loads and shock loads. They can be adapted for slewing applications where heavy loads vary in magnitude and direction.

Using the static limiting load diagram, together with the bearings listed in the product tables, the required bearing size can be estimated using the resulting axial bearing load and the magnitude of the tilting moment.



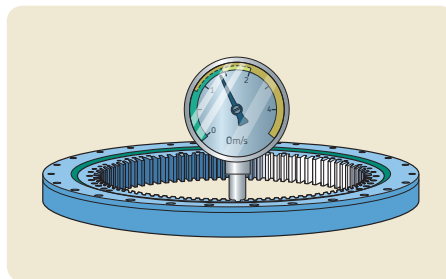
Permissible operating temperature

The permissible operating temperatures for slewing bearings listed in this catalogue are determined primarily by the spacer and seal material and the grease used for lubrication. The permissible operating temperature typically ranges from -25 to $+70$ °C. If slewing bearings are required to operate outside the reference temperatures, contact the SKF application engineering service. Also contact the SKF application engineering service if the outer ring has a lower temperature in operation than the inner ring, which might lead to reduced internal clearance or increase the preload in the bearing.



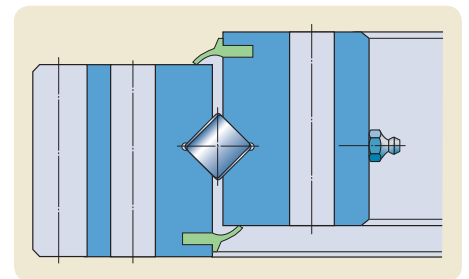
Vibration

For applications subjected to vibrations, preloaded four-point contact ball slewing bearings are typically used. However, crossed cylindrical roller slewing bearings are also suitable. In cases where sufficient experience with a similar bearing arrangement is not available, it is strongly advised to consult the SKF application engineering service.



Operating speed

SKF four-point contact ball slewing bearings generate less friction than crossed cylindrical roller slewing bearings. Consequently, four-point contact ball slewing bearings also have a higher speed capability. These bearings can accommodate tangential operating speeds up to 4 m/s. Crossed cylindrical roller bearings are limited to approximately 1,5 m/s for continuous slewing motion and up to 2 m/s for brief periods.



Sealing

The selection of a seal is vital to the performance of a slewing bearing. The standard seals used in SKF slewing bearings provide good protection against moisture and contaminants and also provide reliable retention of the lubricant.

These integral seals are not intended to protect bearings that operate under extreme conditions where, for example, they are exposed to water, vacuum, high levels of abrasive contaminants, or radiation. For these types of applications, additional external seals must be used to prevent media from entering the bearing cavity.

Selection of slewing bearing size

The size of a slewing bearing can be based initially on the dynamic and static load ratings of the bearing, in relation to the applied loads and the requirements regarding reliability and service life. Values for the axial dynamic load rating C and axial static load rating C_0 are quoted in the product tables.

When determining the most efficient and economical slewing bearing for a specific application, SKF recommends taking the following into consideration:

- loads acting on the bearing
- frequency of oscillating movements
- type of application
- bearing size most suitable for the application
- torque applied to the gear

If it is necessary to calculate the basic rating life*, contact the SKF application engineering service. SKF also recommends confirming the results by contacting the application engineering service once calculations and the selection process are complete.

^{*)} The basic rating life is the result of a calculation that indicates the time a bearing can operate before the first sign of metal fatigue occurs on one of its rings or rolling elements.

Determining bearing loads

The loads and moments acting on a slewing bearing from the inherent weight of the components that it carries, and the other inertia forces, are either known or can be calculated. Assuming the conditions cited in **fig. 1**, the resulting loads and moments applied to the bearing can be estimated, using the following equations:

$$F_a = Q_a + G_1 + G_2 + G_3$$

$$M_t = Q_a \times L + F_r \times H_r + G_3 \times L_3 - G_1 \times L_1 - G_2 \times L_2$$

where

F_a = resulting axial load applied to the bearing, kN

F_r = external radial load applied to the bearing, e.g. work/wind force, kN

G_1 = weight fraction 1, e.g. the counterweight, kN

G_2 = weight fraction 2, e.g. the weight of the cabin, kN

Load distribution scheme

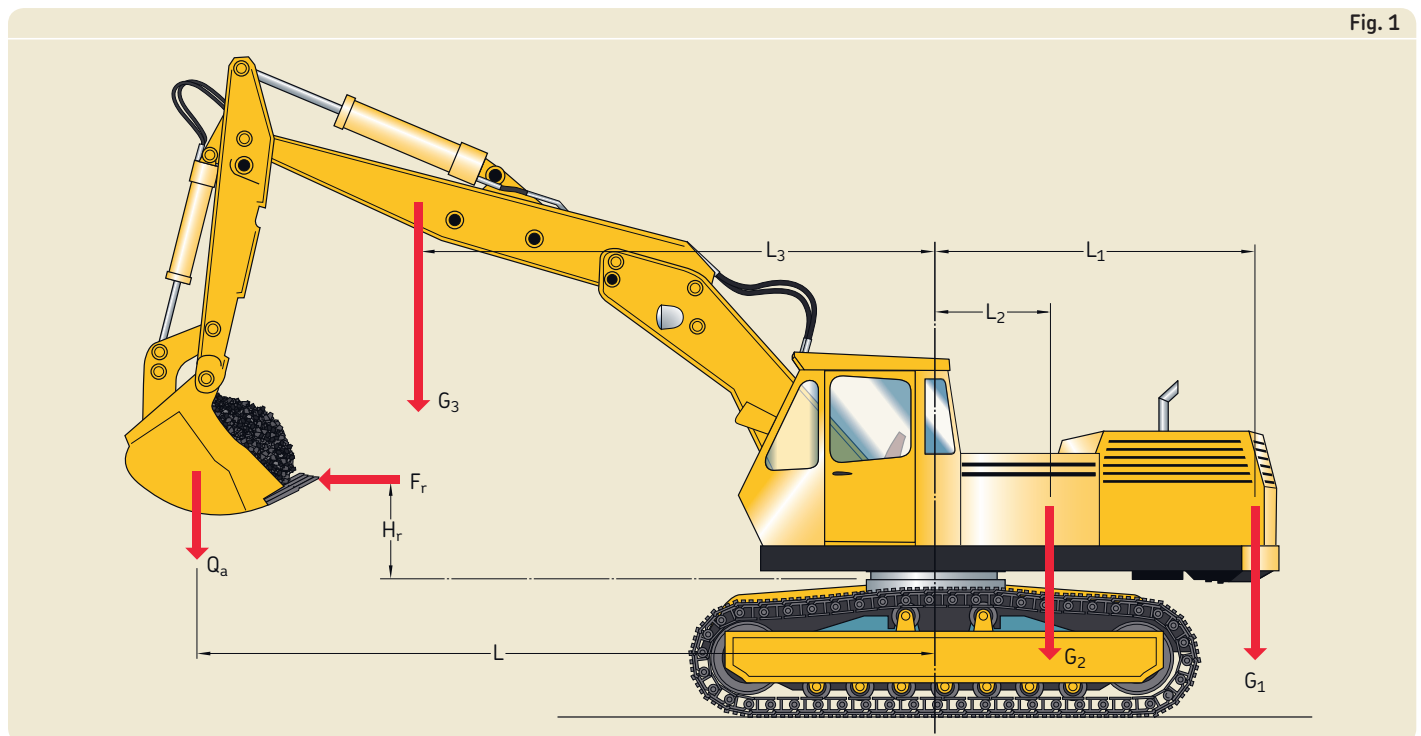


Fig. 1

- G_3 = weight fraction 3, e.g. the weight of the boom, kN
- H_r = distance from the bearing centre point to the line of action of the radial force F_r , m
- L = distance from the centre of rotation to the centre of the lifting load, m
- L_1 = distance from the centre of rotation to the centre of gravity of the weight fraction 1, m
- L_2 = distance from the centre of rotation to the centre of gravity of the weight fraction 2, m
- L_3 = distance from the centre of rotation to the centre of gravity of the weight fraction 3, m
- M_t = resulting tilting moment acting on the bearing, kNm
- Q_a = lifting load, kN

In applications where the working radii L and L_3 for the lifting load and the adjustable boom vary, the maximum working radii have to be used to calculate the maximum tilting moment M_t acting on the bearing.

External radial loads F_r may be neglected as long as they are $\leq 5\%$ of the axial load. If these radial loads are acting at any point other than the plane of the bearing, the resulting tilting moment should be calculated and taken into consideration. If the radial loads exceed the ratio $F_r/F_a = 0,6$, it is advisable to contact the SKF application engineering service.

Raceway and bolting capacity

Determining bearing size

When determining bearing size using the static limiting load diagrams, additional forces should be taken into account. Which forces to consider depend on the type and mode of operation of the machine and operational requirements regarding service life and reliability. This is done by multiplying the resulting axial load and tilting moment by a load factor f_L as listed in **table 1**:

$$F_{ar} = f_L \times F_a$$

$$M_{tr} = f_L \times M_t$$

where

F_{ar} = maximum rated axial load, kN

F_a = resulting axial load applied to the bearing, kN

M_{tr} = maximum rated tilting moment, kNm

M_t = resulting tilting moment acting on the bearing, kNm

f_L = load factor (\rightarrow **table 1**)

Using the calculated values for the maximum rated axial load F_{ar} and the maximum rated tilting moment M_{tr} , the requisite slewing bearing size can be obtained from the appropriate static limiting load diagram, shown together with the slewing bearings in the product tables. Each diagram contains two curves per bearing; the solid line shows the raceway capacity and the dotted line shows the bolting capacity (\rightarrow **fig. 2**). The points, where the plotlines of rated axial load F_{ar} and the rated tilting moment M_{tr} intersect, must always be below the capacity curves, i.e. inside the green zone. If the points of inter-

section (red) are above the capacity curves, the bearing is not suitable for the application.

Raceway capacity

The raceway capacity is defined as the maximum static load that can be accommodated by the slewing bearing without detrimental effects on its running behaviour.

Bolting capacity

Bolting capacity applies to the supported bearing and the number of 10.9 strength grade (EN ISO 898) nuts and bolts used to anchor the bearing to its support surface. For these capacities to be valid, the threads of all bolts and nuts must be coated with a thin layer of light oil and tightened according to the recommended values in **table 1** "Tightening torque and preload of attachment bolts" on **page 24**.

Note: All basic load ratings and capacity data specified in this catalogue are valid for supported slewing bearings. In the case of suspended bearing arrangements, contact the SKF application engineering service.

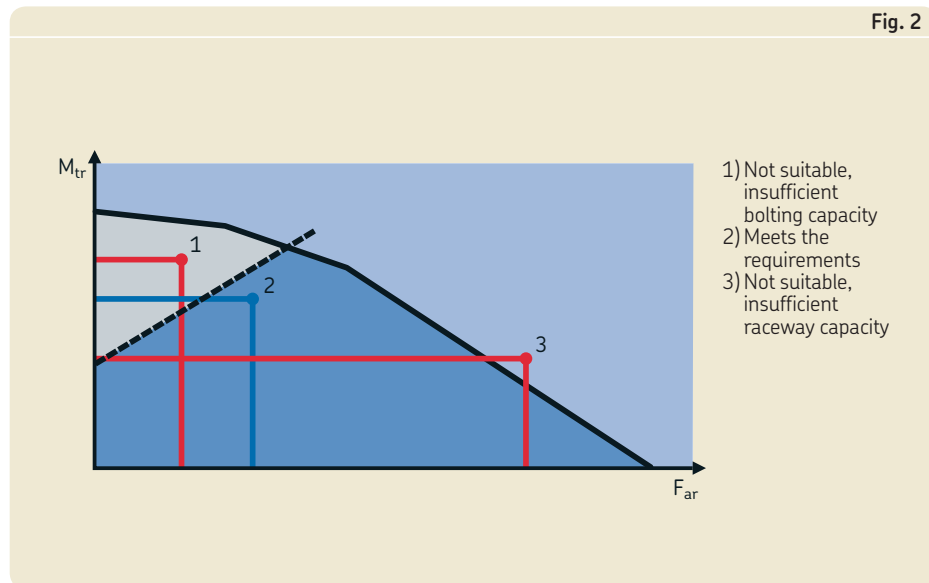


Table 1

| Application | Load factor f_L |
|---------------------|-------------------|
| Aerial platforms | 1,33 |
| Carrousel | 2 |
| Cement mixers | 1,33 |
| Compactors | 2 |
| Concrete pumps | 1,5 |
| Handling workshops | 1,15 |
| Mobile cranes | 1,5 |
| Mini excavators | 1,33 |
| Sedimentation tanks | 1,25 |
| Service cranes | 1,33 |
| Turntables | 1,15 |
| Welding positioners | 1,15 |

Selection example

A slewing bearing with an internal gear has to be selected for a mini excavator, which is exposed to the following operating conditions:

- resulting axial load applied to the bearing $F_a = 65 \text{ kN}$
- external radial load applied to the bearing $F_r = 12 \text{ kN}$
- resulting tilting moment acting on the bearing $M_t = 120 \text{ kNm}$

The following is considered:

- the value for the load ratio $F_r/F_a = 12/65 = 0,184$ lies within the permissible range $F_r/F_a \leq 0,6$. Therefore, any series of four-point contact ball or crossed cylindrical roller slewing bearing can be used.
- with $f_L = 1,33$ the maximum rated axial load and maximum rated tilting moment is calculated:

$$F_{ar} = f_L \times F_a = 1,33 \times 65 = 87 \text{ kN}$$

$$M_{tr} = f_L \times M_t = 1,33 \times 120 = 160 \text{ kNm}$$

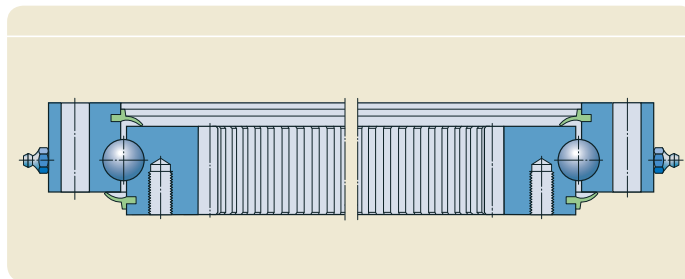
- using $F_{ar} = 87 \text{ kN}$ and $M_{tr} = 160 \text{ kNm}$, a bearing that adequately meets the needs of the application can be obtained from the product tables:

- medium size four-point contact ball slewing bearing with an internal gear, **page 70: RKS.062.20.1094**
- medium size crossed cylindrical roller slewing bearing with an internal gear, **page 94: RKS.162.14.1094**

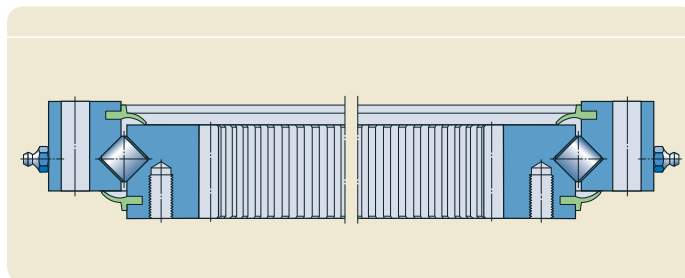
In applications where stiffness is important, the crossed cylindrical roller slewing bearing RKS.162.14.1094 is the best choice; otherwise the four-point contact ball slewing bearing RKS.062.20.1094 is suitable for this task.



Reprinted courtesy of Caterpillar Inc.



Four-point contact ball slewing bearing with an internal gear
RKS.062.20.1094



Crossed cylindrical roller slewing bearing with an internal gear
RKS.162.14.1094

Application of slewing bearings

A slewing bearing arrangement consists of a single bearing that can accommodate axial and radial loads as well as tilting moments acting either singly or in combination and in any direction. To fully utilize these bearings, each of the following design considerations must be met:

- the bearing rings must be fully supported around their complete circumference and across the entire width of the axial side faces by strong and rigid associated components (→ **fig. 1**)
- strength grade 10.9 attachment bolts are used (EN ISO 898)
- the bearing is properly sealed

Associated components

To facilitate proper functioning of a slewing bearing arrangement, the support structure must be sufficiently strong and rigid. Furthermore the, flatness of the support surfaces must be within defined limits. For additional information about flatness tolerances, refer to **pages 22 and 23**.

Support structure

Support structures are typically welded frames or castings. Thick-walled cylindrical structures with an inside or outside flange provide better results than thin-walled fabricated structures with a trussed frame (→ **fig. 2**). Moreover, the arrangement of the walls of the sub- and superstructure should correspond with the rolling element assembly, to optimize power transmission.

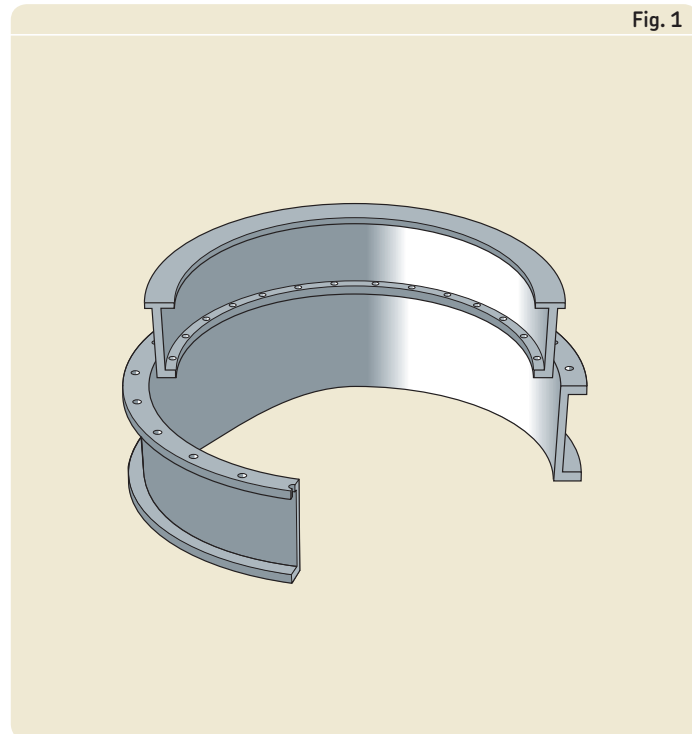


Fig. 1

Strong and rigid associated components

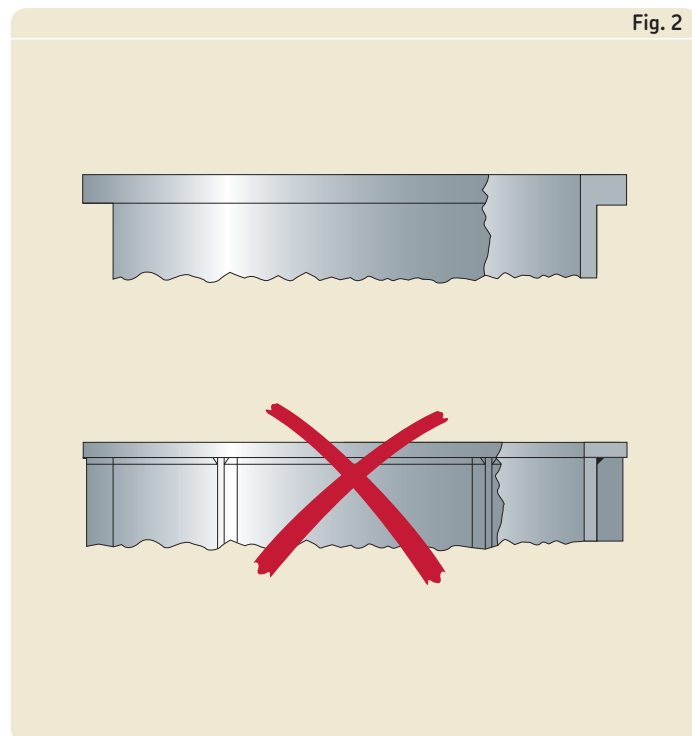


Fig. 2

Support structure

The flange must support the bearing ring across its entire side face. The thickness of the support flange (→ **fig. 3**) should be in accordance with the following guideline values:

- $S \geq 0,05 \times d_m$, for bearings with a mean raceway diameter ≤ 500 mm
- $S \geq 0,04 \times d_m$, for bearings with a mean raceway diameter > 500 mm and $\leq 1\,000$ mm
- $S \geq 0,03 \times d_m$, for bearings with a mean raceway diameter $> 1\,000$ mm

The requisite minimum wall thickness (→ **fig. 3**) of the structure can be estimated using

$$S_1 = 0,35 \times S$$

where

S = thickness of the support flange, mm

S_1 = wall thickness of the structure, mm

d_m = mean raceway diameter of the bearing, mm (→ **product tables**)

Support surfaces

Slewing bearings have limited rigidity, due to their relatively small cross sectional height compared to their diameter. The support structure should therefore be designed for maximum axial and radial rigidity. The support surfaces must be flat and free from rust, paint or burrs. Machining is mandatory and the surface roughness should be within the limits $R_a = 3,2$ to $6,3 \mu\text{m}$. Additionally, the support surfaces should be thoroughly washed and dried before mounting to provide the proper frictional joint between the support surface and the bearing surface. Be sure that the support surfaces are not covered with a preservative or coated with oil or grease!

Before bolting each bearing ring to its support surface, it is essential to check the total axial run-out and flatness of the machined support surfaces, since a low section slewing bearing will be distorted by any irregularities. The flatness should be compared to that of an ideal plane surface. The deviations in height between measuring points of the actual surface drawn over the ideal plane are illustrated in **fig. 4**. The following parameters should be checked prior to mounting.

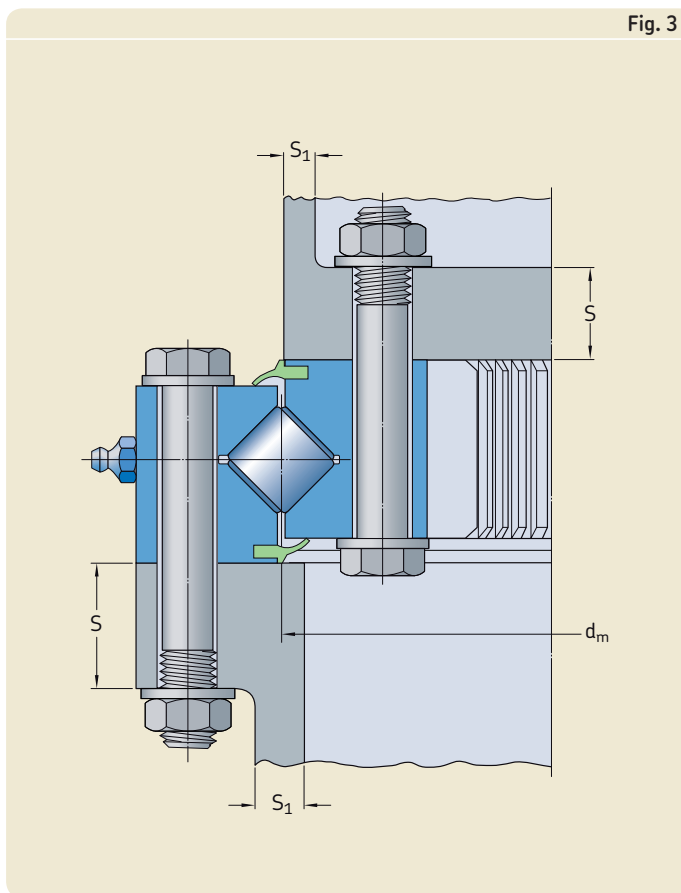


Fig. 3

Support flange and wall thickness

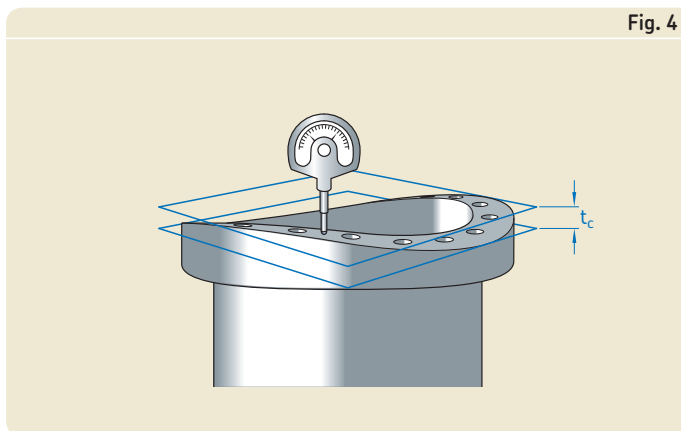


Fig. 4

Overall flatness tolerance

Overall flatness tolerance

The tolerance of the overall flatness in a circumferential direction of the support surfaces (→ **fig. 4**) is limited to

$$t_c = (d_m + 1\,000)/10\,000$$

where

t_c = maximum permissible deviation from flatness, mm

d_m = mean raceway diameter of the bearing, mm

Flatness in the circumferential direction

The flatness variation, the difference between the measurements of two consecutive points, as well as the variation in inclination (→ **fig. 5**), is of great importance. It is measured by dividing the circle into small segments of the length “n” smaller or equal to the distance of the attachment bolt hole.

Deviations in the same direction away from the nominal plane, such as measurements “t_{ca}” and “t_{cb}”, or “t_{cc}” and “t_{cd}” between two consecutive points, should not exceed the guideline value

$$t_{ca} - t_{cb} \leq 0,0002 \times n$$

If however, the inclination changes direction, as at point P in **figure 5**, the sum of the deviations, such as measurements “t_{cb}” and “t_{cc}”, should not exceed the guideline value

$$t_{cb} + t_{cc} \leq 0,0002 \times n$$

where

t_{ca} - t_{cb} = permissible flatness variation between 2 consecutive measurements, where inclination is constant, mm

t_{cb} + t_{cc} = permissible flatness variation between 2 consecutive measurements, where inclination changes direction, mm

n = distance between two consecutive measuring points, mm

Flatness in the radial direction

Flatness in the radial (transverse) direction, e.g. the conicity (→ **fig. 6**), measured across the width of the support surface is limited to

$$t_t = B / 1000$$

where

t_t = permissible deviation of axial run-out in the radial (transverse) direction, mm

B = width of the support surface, mm

In applications where it is not possible to obtain the permissible tolerances, contact the SKF application engineering service.

Fig. 5

Flatness in the circumferential direction

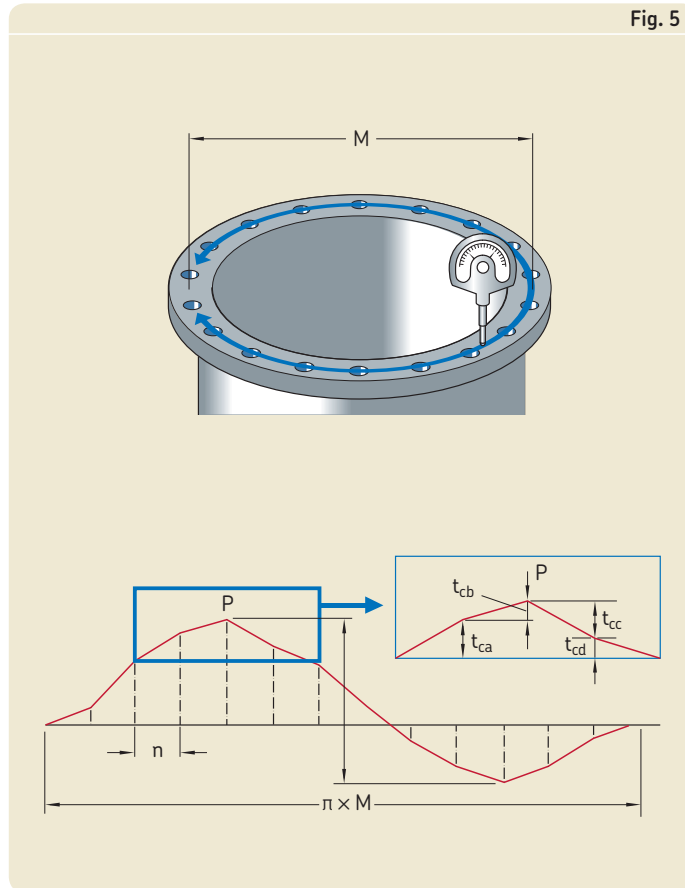
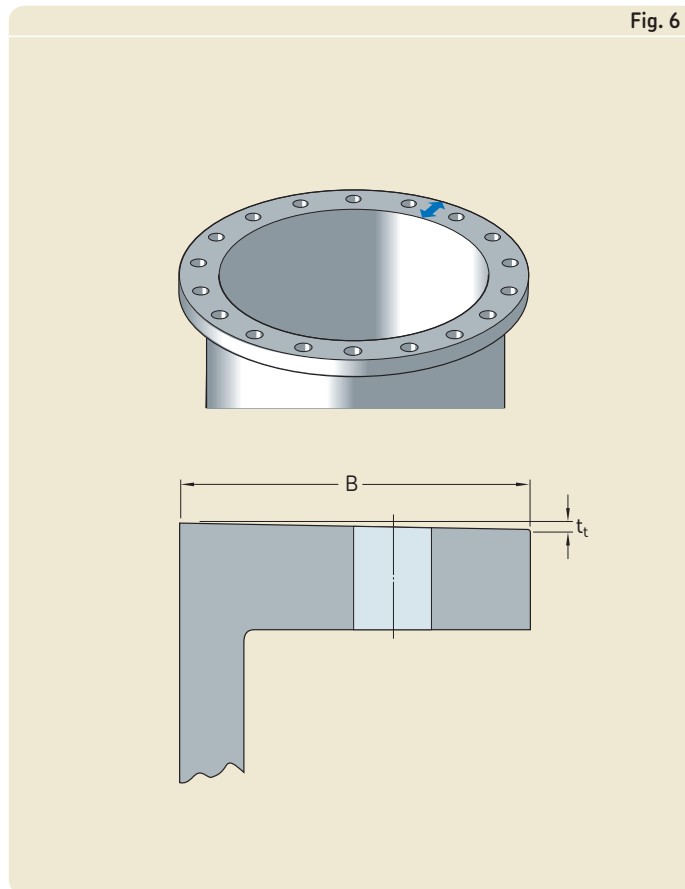


Fig. 6

Flatness in the radial direction



Attachment bolts

Hexagonal head bolts in accordance with DIN EN ISO 4014:1999 in the 10.9 strength grade (EN ISO 898) are suitable for securing slewing bearings to their support structures. The minimum clamp length of bolted joints (→ **fig. 7**) should be

$$L_k = 5 \times G$$

where

L_k = the minimum length of bolt joint, mm

G = the bolt thread diameter, mm

Surface pressure in bolt joints

For 10.9 strength grade bolts and nuts, SKF recommends using hardened or quenched and tempered flat washers beneath the bolt head and nut, to avoid excessive surface pressure on the support surfaces. Spring washers of any type should **never** be used.

The recommended tightening torque values for nuts and bolts are provided in **table 1**. Under normal operating conditions, the recommended bolt torque values will provide a reliable and safe connection to the support surface and the application. However, when the arrangement is subjected to very heavy loads, shock loads and/or vibrations, consult the SKF application engineering service.

Calculation of bolted joints

The SKF rules to calculate bolted joints are based on experience in practice and standardized calculation rules. When considering slewing bearing arrangements, a distinction has to be made between supported or suspended bearings (→ **figs. 2 and 3 on page 9**). In the case of suspended bearing arrangements, consult the SKF application engineering service.

Fig. 7

Bolt joints

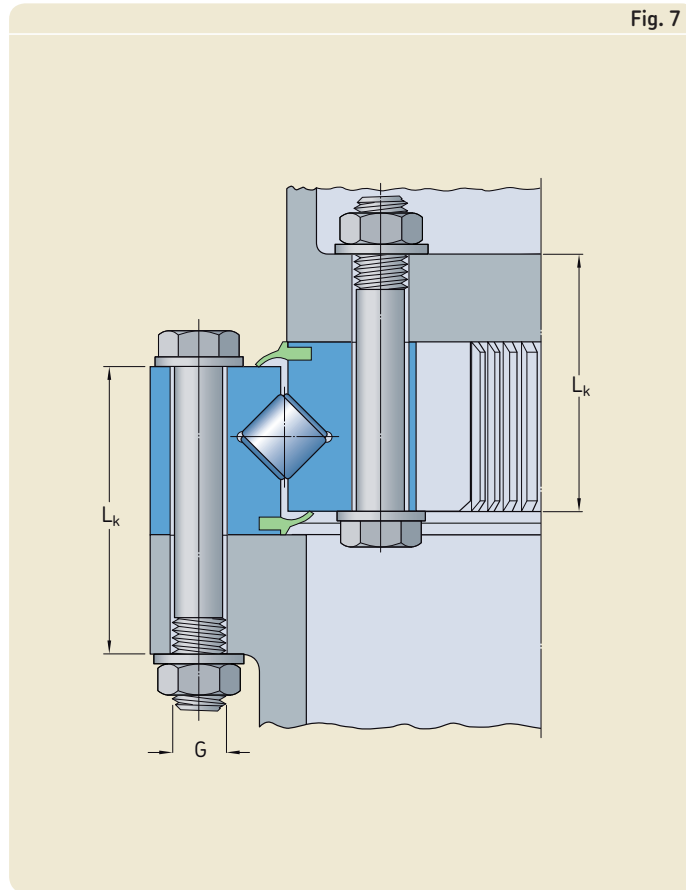


Table 1

Tightening torque and preload of attachment bolts

| Attachment bolts/nuts Size ¹⁾ | Tightening torque and assembly preload for bolts to strength grade 10.9 (EN ISO 898) | | |
|--|--|------------|------------|
| | $M_A^{2)}$ | $F_M^{3)}$ | $F_M^{4)}$ |
| – | Nm | kN | kN |
| M 6 | 14 | 13.2 | – |
| M 8 | 34 | 24.2 | – |
| M 10 | 67 | 38.5 | – |
| M 12 | 115 | 56 | – |
| M 14 | 185 | 77 | – |
| M 16 | 285 | 106 | – |
| M 18 | 395 | 129 | – |
| M 20 | 560 | 166 | – |
| M 22 | 770 | 208 | – |
| M 24 | 970 | 239 | 283 |
| M 27 | 1 420 | 315 | 372 |
| M 30 | 1 930 | 385 | 454 |
| M 33 | 2 630 | 480 | 564 |
| M 36 | 3 380 | 560 | 664 |

¹⁾ ISO general purpose metric threads (DIN 13-1)

²⁾ Tightening torque for coefficient of friction in the bolt head/nut contact surface and the thread $\mu_k - \mu_G = 0,14$. In case of different friction coefficients the tightening torque should be adjusted accordingly

³⁾ Bolt preload corresponding to coefficient of friction in the thread $\mu_G = 0,14$

⁴⁾ Bolt preload to 90% of the yield point stress. For torsion free tightening, use an HYDROCAM bolt tensioner

Sealing arrangements

The efficiency of the sealing arrangement has a decisive influence on the service life of every bearing. SKF slewing bearings are normally equipped with contact seals made of acrylonitrile-butadiene rubber (NBR), which seal against the shoulder or the side face of the inner or outer ring (→ **fig. 8**).

Depending on the application and the environmental conditions, a secondary seal might be necessary to prevent solid contaminants and moisture from penetrating into the bearing. This secondary seal, for example, might be a large V-ring, which is commercially available (→ **fig. 9**). It could also be designed as a sheet steel cover, bolted to either the rotating or stationary part of the bearing arrangement (→ **fig. 10**).

Fig. 8

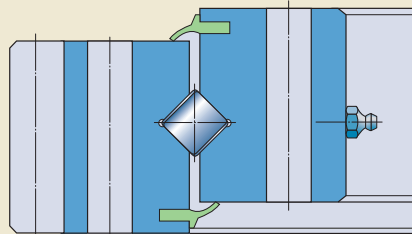
Integrated seals

Fig. 9

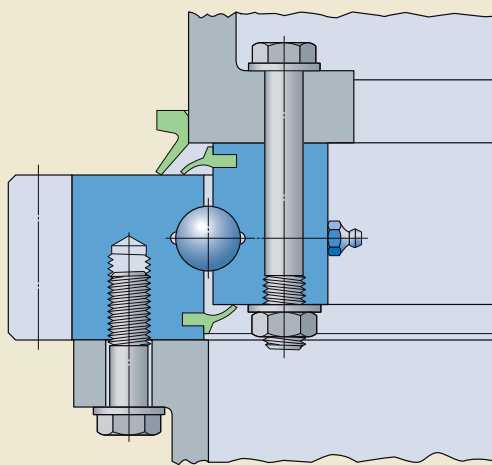
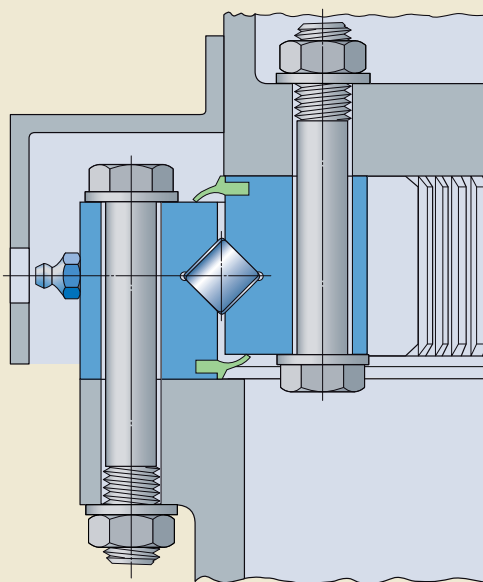
Secondary seals

Fig. 10

Sheet steel cover

Slewing bearing gear

Generally, one ring of a slewing bearing comprises a 20° involute cylindrical gear (→ **fig. 1**). These gears have been proven to be the most suitable for heavily loaded slewing bearing arrangements running at low speeds. The module, the number of teeth, the reference diameter and, where necessary, the addendum modification of the gear are listed in the product tables. The permissible tooth forces are also listed in the product tables and are valid for unhardened gears, where

T_{normal} = tangential tooth force for normal operating loads based on fatigue stress at the tooth base

T_{fmax} = maximum permissible tangential tooth force, based on fracture at the tooth base

To provide proper gear performance, the pinions also should be furnished with a 20° involute spur gear. There is a choice between two types of pinion drive arrangements (→ **fig. 2**):

- a drive pinion fixed in relation to the slewing bearing axis (**a**)
- a drive pinion that rotates around the bearing axis (**b**)

Gear backlash

Backlash is defined as the smallest gap between the trailing face of the driving tooth and the leading face of the tooth behind it on the driven gear (→ **fig. 3**). Gear backlash should be checked after positioning the pinion. The measurement should be made at the position where there is a blue marking on the gear (→ bearing markings from **page 40** to **page 45**). This mark indicates:

- the point of the largest distance to the centre, for a bearing with an external gear
- the point of the shortest distance to the centre, for a bearing with an internal gear

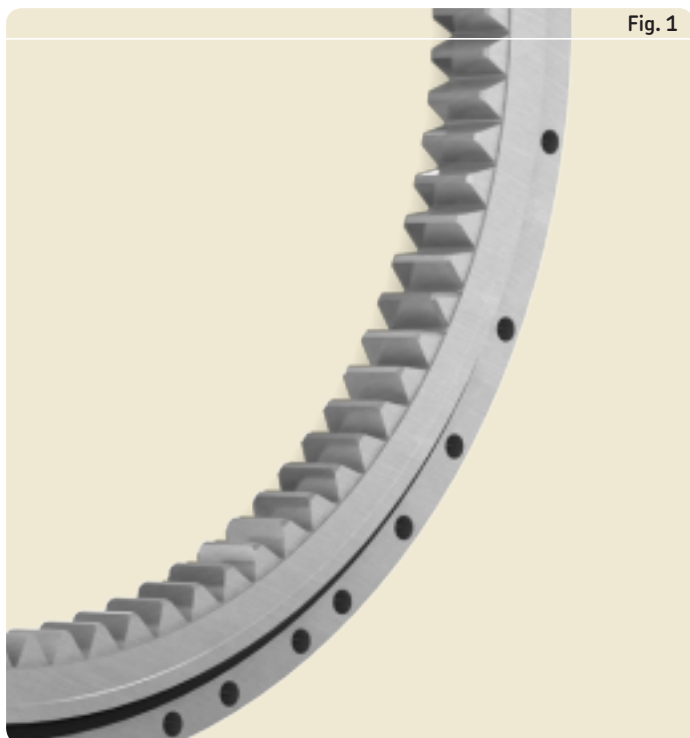


Fig. 1

20° involute cylindrical gear

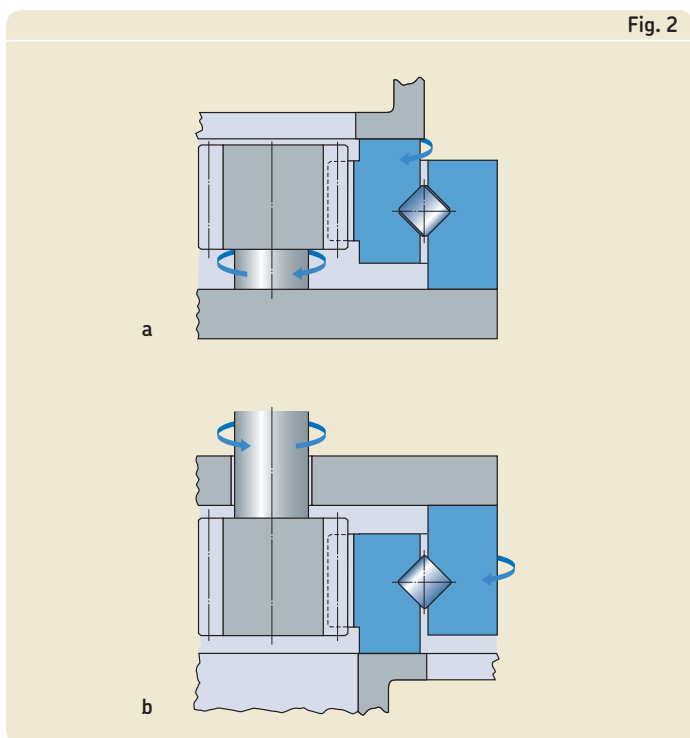


Fig. 2

Pinion drive arrangements

This blue marking should face the pinion when determining backlash. To do this, insert the blade of a feeler gauge between two teeth (\rightarrow fig.3). Applicable backlash values are provided in table 1. If the attained values are not within the guideline values, correct backlash by adjusting the centres of the gear-wheels. Otherwise, there will be excess pressure between the two sets of gear teeth. Practical experience has shown that zero backlash can produce structural overloads, which will significantly reduce gear life.

Table 1 shows the recommended minimum backlash values for satisfactory meshing under heavy load. On a position of the bearing's circumference other than at the blue marking, higher backlash can occur. This is due to normal form tolerances and has no negative impact.

Pinions

The most commonly used pinions are hardened and ground. They should extend past the bearing gear on both sides by approximately 5 mm.

Additionally, a tip relief of $0,01 \times$ module is recommended (\rightarrow fig. 4) to avoid meshing interference, which may occur at the tooth root area of unhardened bearing gear teeth driven by a hardened pinion. This type of wear (\rightarrow fig. 5), which manifests itself as increased noise, is not really harmful. The degree of wear will become progressively smaller and the noise level should decrease.

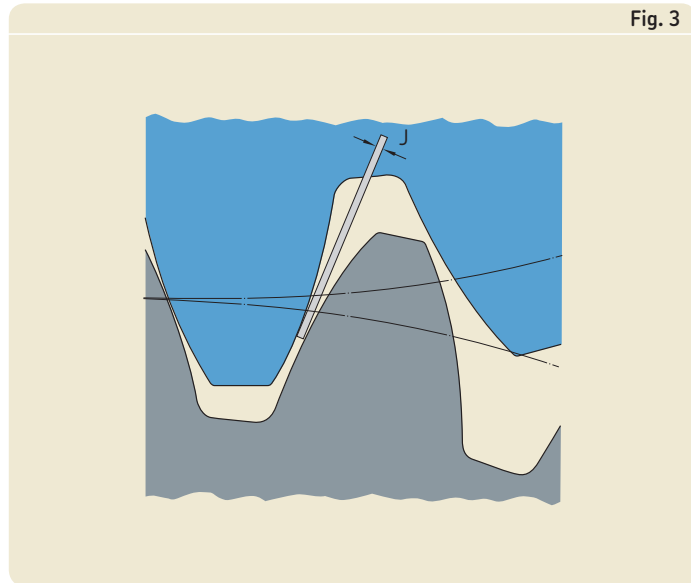


Fig. 3

Gear backlash

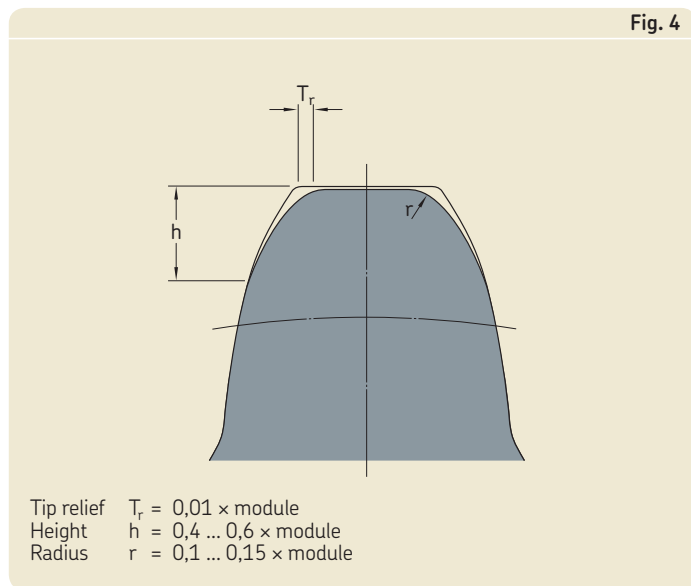


Fig. 4

Pinion tooth tip relief

Tip relief $T_r = 0,01 \times$ module
 Height $h = 0,4 \dots 0,6 \times$ module
 Radius $r = 0,1 \dots 0,15 \times$ module

| Required backlash at blue marking | | | |
|-----------------------------------|-------|------------|-------|
| Module | | Backlash J | |
| over | incl. | min | max |
| mm | | mm | |
| 3,15 | 6,3 | 0,25 | 0,375 |
| 6,3 | 10 | 0,3 | 0,45 |
| 10 | 12,5 | 0,45 | 0,675 |
| 12,5 | 16 | 0,6 | 0,9 |
| 16 | 20 | 0,8 | 1,2 |
| 20 | 25 | 1 | 1,5 |

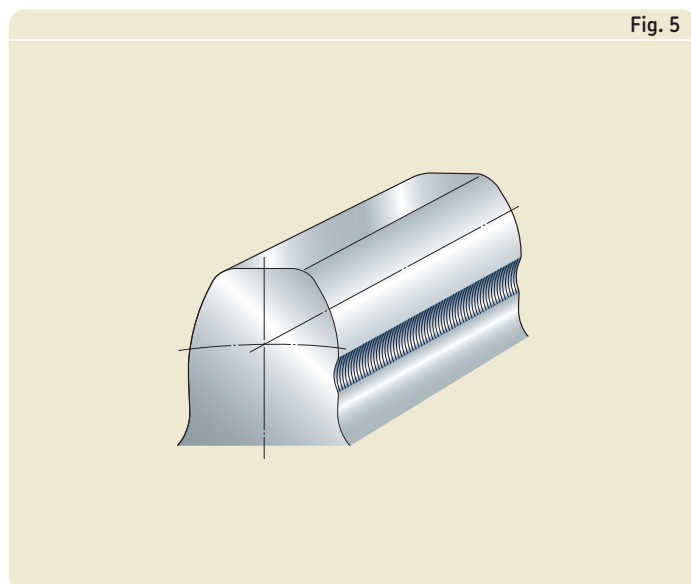


Fig. 5

Meshing interference

Lubrication

For a slewing bearing to function properly and provide maximum service life, proper relubrication and regular maintenance intervals are essential. The primary function of a lubricant is to create an oil film between the rolling elements and raceways as well as between the gears, to prevent metal-to-metal contact.

Slewing bearings are generally lubricated with grease, which also provides added protection against the ingress of water and contaminants.

As slewing bearings normally operate at slow speeds, the free space between the rings can be filled entirely with grease.

Bearing lubrication

Unless otherwise specified, SKF slewing bearings are filled with an NLGI class 2 mineral oil based EP-grease containing a lithium soap thickener. This grease provides extremely good corrosion inhibiting properties and excellent mechanical stability. The grease has a temperature range of -20 up to $+110$ °C. Reliable lubrication according to the SKF traffic light concept is in the operating temperature range of $+30$ to $+110$ °C.

SKF recommends relubricating slewing bearings with SKF LGEP 2, a mineral oil based grease with a consistency of 2 on the NLGI scale. In special cases, where the bearing must operate reliably at low temperature, an NLGI grease with a consistency of 1 or 0 can be used.

Information about appropriate SKF greases can be found in **table 1**.

Slewing bearings should be greased immediately after mounting, until fresh grease starts to escape from the seals around the whole circumference.

Gear lubrication

The gear of a new bearing is normally coated with a preservative but is not greased.

After the bearing has been mounted, a lubricant needs to be applied to the gear. This lubricant, which is usually grease, should have

- a base oil viscosity of at least $500 \text{ mm}^2/\text{s}$ at 40 °C
- good adhesive properties
- a high resistance to water washout.

In addition, the grease should be able to withstand temperatures of at least $+100$ °C.

Table 1

SKF greases for slewing bearings

| SKF designation | Permissible temperature range (°C) | | Remark |
|-----------------|------------------------------------|------|----------------|
| | min | max | |
| LGEP 2 | -20 | +110 | |
| LGLT 2 | -50 | +110 | |
| LGGB 2 | -20 | +110 | Bio degradable |
| LGHB 2 | -20 | +150 | |

Relubrication intervals and quantities

Bearings

Relubrication should always be undertaken at a time when the condition of the existing lubricant is still satisfactory. This time depends on many related factors including bearing type and size, operating temperature, frequency of operation, grease type and the bearing environment. In order to facilitate good grease distribution, the bearing should always be relubricated while it is in operation.

The relubrication interval t_r for the raceway of slewing bearings mounted on a horizontal support structure under normal and clean conditions can be obtained from the blue line of **diagram 1**, as a function of the number of operating hours per week.

The relubrication interval t_r is an estimated value, valid for an operating temperature of 70 °C, using a good quality grease. If there are severe operating conditions, such as very dirty or damp environments or if operating temperatures exceed 70 °C, more frequent relubrication may be necessary. For additional information, contact the SKF application engineering service.

The quantity of fresh grease depends on the bearing size. Suitable quantities for single row slewing bearings can be obtained from the red line of **diagram 2** as a function of the mean raceway diameter.

The new grease must be identical to, or miscible with, the grease already contained in the bearing. A mixture of two immiscible greases will impair the efficiency of the lubricant.

Gears

The relubrication interval, t_r , for the gears can be obtained from the red line of **diagram 1** as a function of the number of operating hours per week.

Before regreasing the gear, the teeth should be cleaned of any impurities.

The lubricant can be brushed or sprayed onto the gear or by any other suitable method, e.g. a SKF lubricating pinion (→ **fig. 3** on **page 31**). The grease quantity depends on the method chosen.

Diagram 1

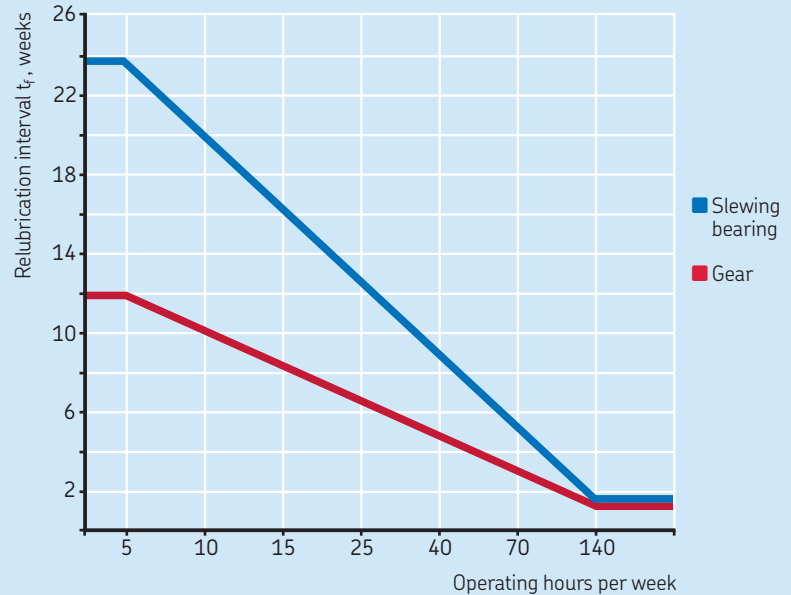
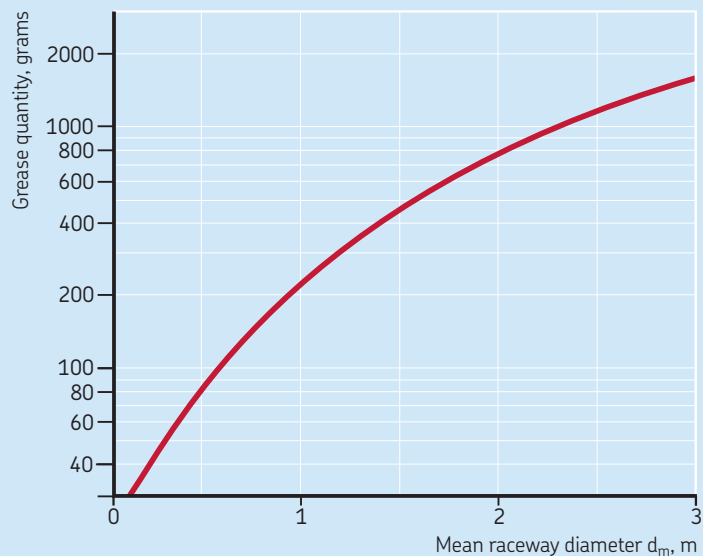
Relubrication interval t_r for slewing bearings and gears

Diagram 2

Suitable grease quantities for bearing replenishment



Relubrication procedures

Manual relubrication

Light series and medium size bearings can be relubricated through four equally spaced cone type grease fittings to DIN 71412:1987, design A, in the inner and/or outer ring (→ **fig. 1**). Appropriate grease guns are available from SKF. Additional information about SKF maintenance products can be found in the publication MP3000 “SKF Maintenance and Lubrication Products” or online at www.mapro.skf.com.

Automatic relubrication

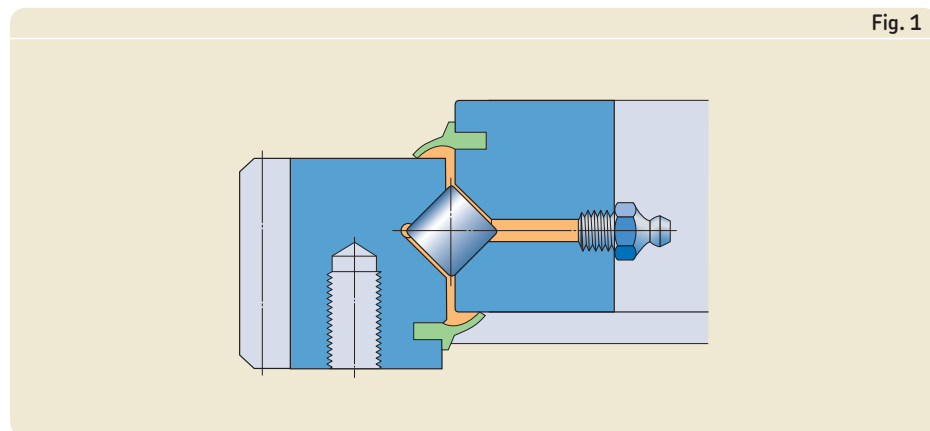
An automatic relubrication system is typically used when the calculated relubrication interval is very short, e.g. due to contamination, or when the bearing is not easy to access.

When using automatic relubrication, check whether the grease can be adequately pumped through the ducts at the prevailing ambient temperature.

Automatic lubrication can be achieved via single-point automatic lubricators, multi-point lubricators or centralized lubrication systems, depending on the demands of the application. SKF SYSTEM 24 is a single-point lubricator that can be screwed directly into one of the threaded holes used for grease fittings (→ **fig. 2**). SKF SYSTEM Multipoint can lubricate up to 8 lubrication points and is refillable. Additional information about SKF automatic lubricators can be found in the publication MP3000 “SKF Maintenance and lubrication products” or online at www.mapro.skf.com. Centralized lubrication systems (→ **fig. 3**) typically consist of:

- grease pumps (1), one to grease the bearing and one to grease the gear, optionally with electronic control and/or an exchangeable container
- a progressive distributor (2)
- a lubricating pinion (3) for automatic and even lubricant distribution across the entire gear
- a lubricant collector (4) for the environmentally friendly removal of used lubricant from the gear

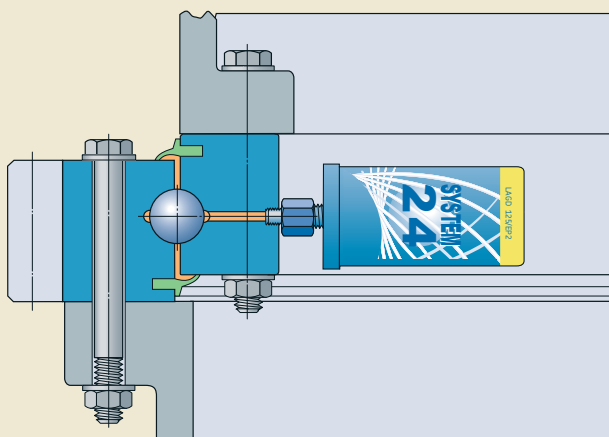
Additional information about SKF lubrication systems is available online at www.skf.com, or contact the SKF application engineering service.



Manual relubrication via grease fittings

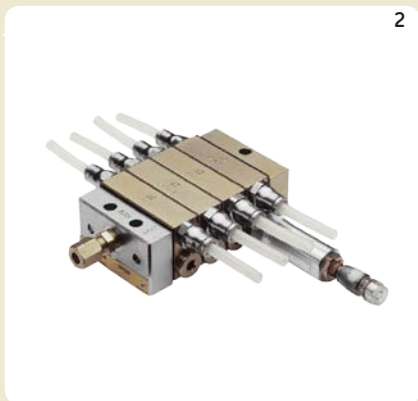
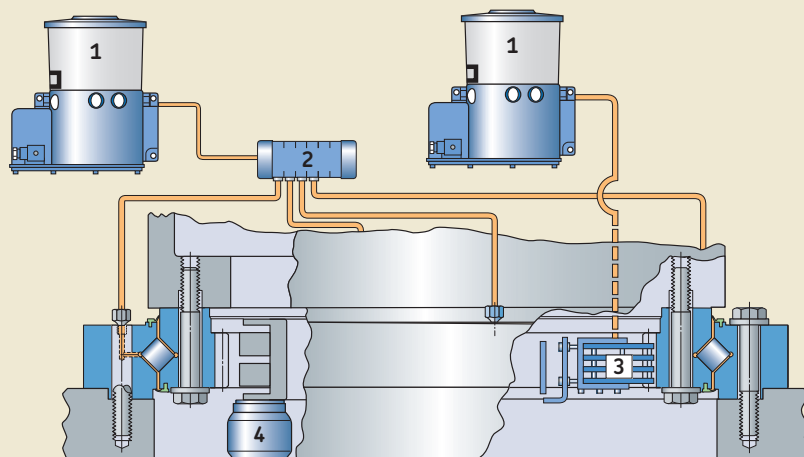
Fig. 2

Continuous relubrication via single-point automatic lubricators



Continuous relubrication via centralized lubrication systems

Fig. 3



Application data sheet for slewing bearing arrangements

Customer

Company: _____

Street, ZIP code, City: _____

Contact: _____

Telephone: _____

Telefax: _____

Email: _____

Date of inquiry: _____

Date of reply required: _____

Signature: _____

Delivery requirements

Required quantities: _____

Quantity per year: _____

Date of first delivery: _____

Special delivery requirements: _____

Application

Description of application: _____

Position of axis: Vertical Horizontal ChangingPosition of bearing: Supported Suspended

Existing/chosen bearing, Designation: _____

Bearing load

| Type of load | Operating conditions | | | | | |
|--|-----------------------|-----------|------------------------|-----------|----------------------|-------------------------------------|
| | Normal load amount | % of time | Maximum load amount | % of time | Maximum test load | Extreme loads (out of operation) |
| Axial loads F_a (kN) parallel to axis of rotation | | | | | | |
| Radial loads F_r (kN) at 90 ° to axis of rotation | | | | | | |
| Resulting moment M_t (kNm) | | | | | | |
| Rotational speed (r/min) | | | | | | |
| Slewing working angle (degrees) | | | | | | |

Tangential forces

| | | |
|---------------------------------|----------------|-------------------|
| Tooth force (kN): Normal force: | Maximum force: | Number of drives: |
|---------------------------------|----------------|-------------------|

Motion

| | | |
|--|---|---------------------------------------|
| <input type="checkbox"/> Continuous rotation | <input type="checkbox"/> Slewing motion | <input type="checkbox"/> Intermittent |
|--|---|---------------------------------------|

Dimensional limitations

| | | |
|------------------------|------------|------------------|
| Outside diameter (mm): | Preferred: | Minimum/maximum: |
| Inner diameter (mm): | Preferred: | Minimum/maximum: |
| Bearing height (mm): | Preferred: | Minimum/maximum: |

Gear data

| | | |
|--|--|---|
| <input type="checkbox"/> Internal gear | <input type="checkbox"/> External gear | <input type="checkbox"/> Without a gear |
| Reference diameter (mm): | Preferred: | Minimum/maximum: |
| Tooth height (mm): | Preferred: | Minimum/maximum: |
| Module: | Preferred: | Minimum/maximum: |

Sealing arrangements

| | | | | |
|----------------|------------------------------|-----------------------------|-----------------------------------|-----------------------------------|
| On top: | <input type="checkbox"/> Yes | <input type="checkbox"/> No | <input type="checkbox"/> Internal | <input type="checkbox"/> External |
| At the bottom: | <input type="checkbox"/> Yes | <input type="checkbox"/> No | <input type="checkbox"/> Internal | <input type="checkbox"/> External |

Attachment bolt hole

| | | | |
|---------------------------------------|--|---------------------------------------|---|
| Outer ring | <input type="checkbox"/> Through holes | <input type="checkbox"/> Tapped holes | <input type="checkbox"/> Number of bolts: |
| Bolt hole diameter (mm): | Preferred: | Minimum/maximum: | |
| Bolt hole pitch circle diameter (mm): | Preferred: | Minimum/maximum: | |

Lubrication of raceways

| | | |
|-----------------------------------|---|--|
| <input type="checkbox"/> Grease | <input type="checkbox"/> Manual relubrication | <input type="checkbox"/> Central grease lubrication system |
| <input type="checkbox"/> Oil bath | <input type="checkbox"/> Central oil lubrication system | <input type="checkbox"/> Other |

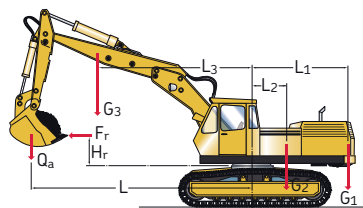
Lubrication of gear

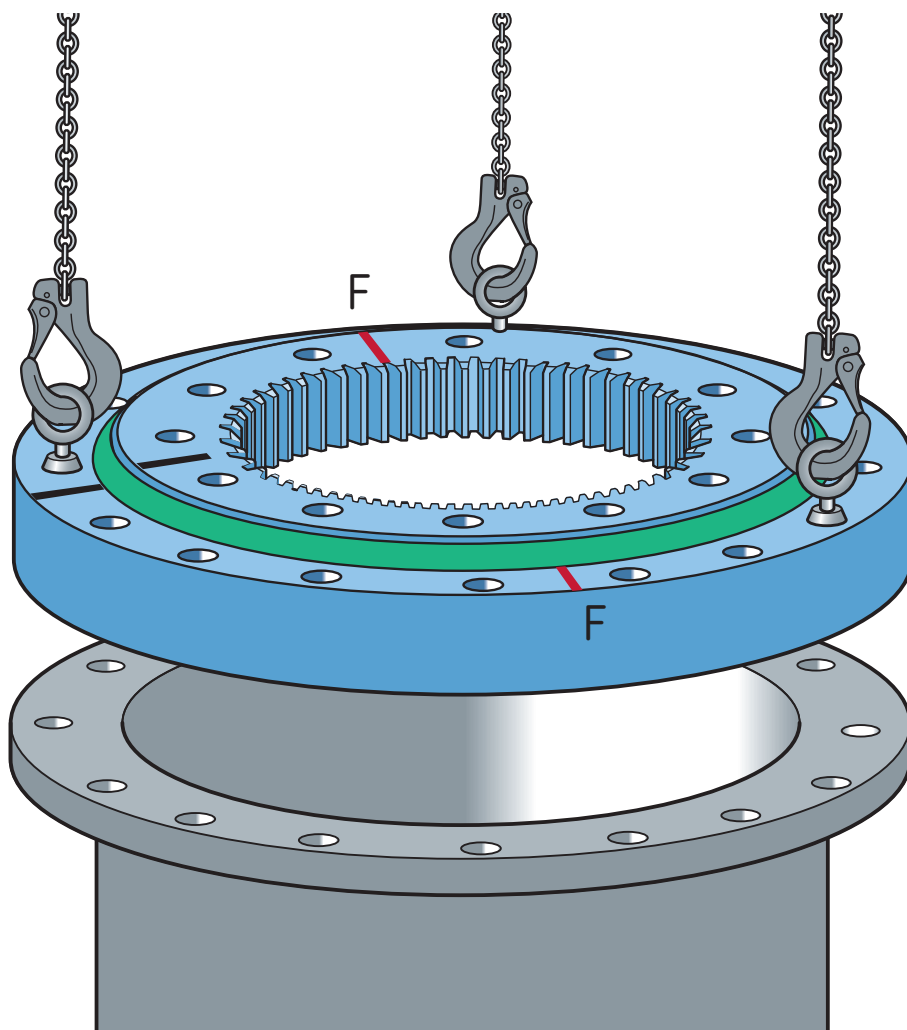
| | |
|--|--|
| <input type="checkbox"/> Manual grease lubrication | <input type="checkbox"/> Central grease lubrication system |
|--|--|

Temperatures

| | | |
|------------------------------|----------------------------------|----------------------------------|
| Operating temperatures (°C): | <input type="checkbox"/> Minimum | <input type="checkbox"/> Maximum |
| Ambient temperatures (°C): | <input type="checkbox"/> Minimum | <input type="checkbox"/> Maximum |

Engineering layout





Mounting, inspection and storage

40 General information

40 Preparations for mounting

40 Bearing handling

40 Bearing markings

41 Attachment bolts

41 Tightening methods

42 Mounting recommendations

46 Trueing up

47 Inspection

47 Inspecting axial titling clearance

48 Inspecting bolt joints

48 Seal inspection

49 Storage

General information

It takes skill and experience to maximize bearing performance and reduce the risk of premature failures. Experience means choosing the correct mounting method and using the correct tools for the job.

The information provided in the following section is quite general and primarily identifies the factors that must be considered in order to facilitate the mounting process.

The information is valid for single row slewing bearings used in typical applications. For additional information, contact the SKF application engineering service.

Mounting should, wherever possible, be carried out in a dry, clean environment. When slewing bearings have to be mounted in an unprotected area, which is often the case, steps should be taken to protect the bearing and its associated components until installation is complete.

As is the case with all bearings, never hit the rings or seals directly with a hammer or any other hard object. Also, never apply a mounting force directly through the rolling elements.

Preparations for mounting

Before mounting, all necessary parts, tools, equipment and data need to be on hand. SKF also recommends checking all drawings and instructions to determine that each component is assembled in the correct order.

Bearing handling

To reduce the risk of injury, wear gloves when mounting slewing bearings. Also, use carrying and lifting tools that are specially suited for mounting such bearings.

Slewing bearings should be transported and stored flat on a surface that extends over the whole side face of the bearing (→ **fig. 1**). When the bearing is to be moved or held in position, appropriate lifting tackle should be used (→ **fig. 2**). Eyebolts, for example, should only be subjected to a load in the direction of the shank axis. Also, keep in mind when using

eyebolts that the hole size is limited and only designed to accommodate the weight of the bearing. The bearing should never be weighted down with tools or associated components. Slewing bearings should never be suspended from a single point using a sling or one bolt, because the rings are relatively thin-walled and the weight of the bearing could deform the rings.

Like other rolling bearings, slewing bearings should remain in their original, unopened package until immediately before mounting so that they will not be exposed to contaminants like dirt unnecessarily. The preservative coating applied to a new bearing from the factory should be removed from side faces that will be in contact with the support surface.

Bearing markings

To facilitate correct installation, the inner and outer rings of SKF slewing bearings are marked on one side face according to **fig. 3**.

A **red marking and the letter "F"** indicate a small unhardened area in the raceway – the soft zone on the raceway between the beginning and end of induction hardening. Whenever possible, this area coincides with the position of the hole that is needed for ball or roller loading and is closed with a plug.

To facilitate backlash adjustment, a **blue marking and the letter "B"** on the geared ring locates the smallest gap between two teeth.

A **black marking** on a bearing with a low sectional height relative to its diameter, indicates the minimum out-of-roundness of the assembled bearing.

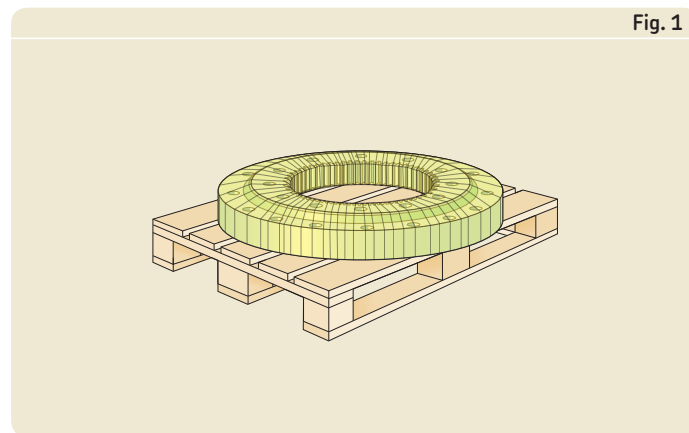


Fig. 1

Proper bearing transportation

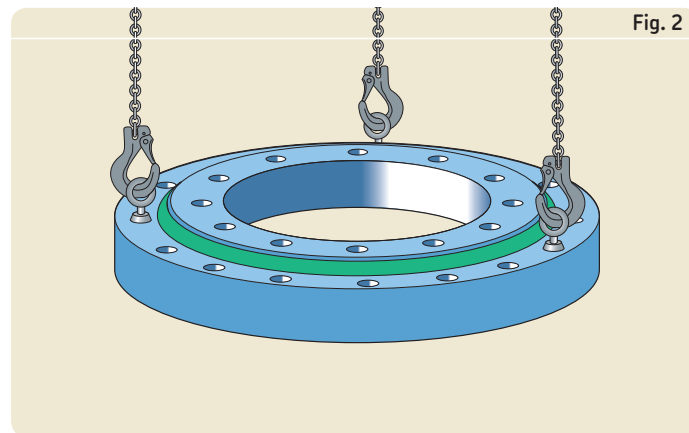


Fig. 2

Appropriate lifting tackle

Attachment bolts

Only bolts and nuts as specified in the technical documents or mounting instructions should be used. Recommendations are provided in the chapter "Attachment bolts" on **page 22**.

Under normal operating conditions and when the recommended flat washers are used, the recommended bolt torque values provide a reliable and safe connection to the support surface and the application.

Tightening methods

All bolts and nuts should be tightened with a highly accurate torque wrench (→ **fig. 4**) or a hydraulic bolt tensioner (→ **fig. 5**) in at least two stages as described in the section "Mounting recommendations" (→ **fig. 40**). SKF recommends that whenever possible, the bolts should be tightened using an HYDROCAM hydraulic bolt tensioner. This hydraulically operated bolt tensioner enables bolts to be installed accurately without applying torque. The tensioner also enables

- bolted joints with uniform preload on all bolts
- the optimum exploitation of the yield strength of the bolt
- the use of high-strength bolts.

The HYDROCAM bolt tensioner was designed specifically to install the bolts on slewing bearings. These tensioners are available in four different designs. The standard bolt tensioner (→ **fig. 5**) consists of

- a skirt (**a**)
- a hydraulic body (**b**)
- a brace (**c**)
- a socket for standard nuts (**d**) to hand tighten the nut.

For additional information about HYDROCAM bolt tensioners, contact the SKF application engineering service.

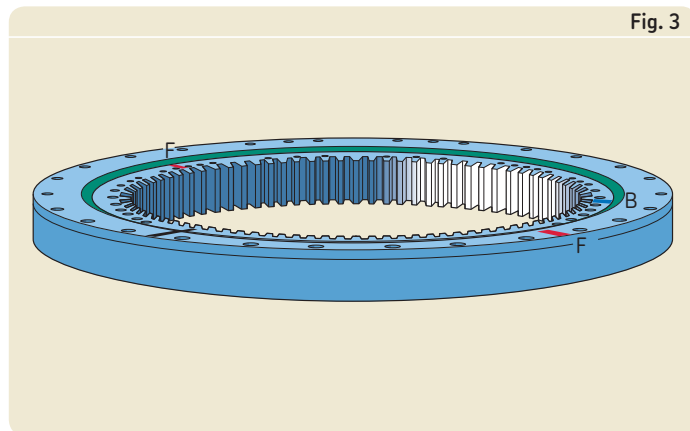


Fig. 3

Bearing markings

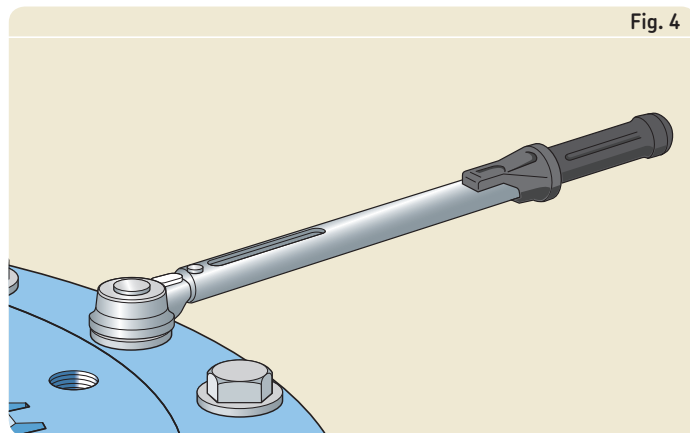


Fig. 4

Appropriate torque wrench

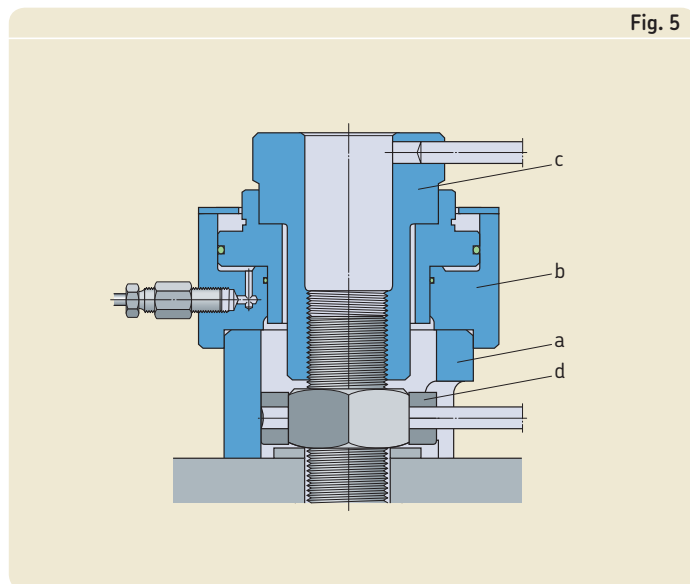


Fig. 5

HYDROCAM bolt tensioner

Mounting recommendations

Correct mounting of a slewing bearing depends on the design of the application and the type of slewing bearing. The following information is quite general, but provides basic information proven in the field. For additional information, contact the SKF application engineering service.

- 1 Remove any burrs on the seat surfaces with emery cloth or a honing tool (→ **fig. 1**).
- 2 Clean the seat surfaces with compressed air. Make sure that the surfaces of the support structure and the bearing are clean and dry (→ **fig. 2**).
- 3 Check the form accuracy of the support structure (→ **fig. 3**) according to the information in the section "Associated components" starting on **page 21**.
- 4 Position the bearing on the first support surface. The **red marking F** on the ring must be arranged at a 90° angle to the axis of the maximum loaded zone, provided that the axis can be determined or estimated (→ **fig. 4**).

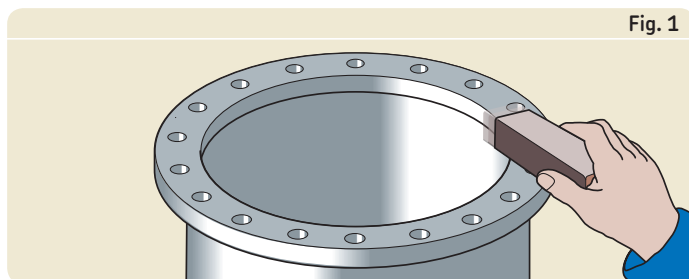


Fig. 1

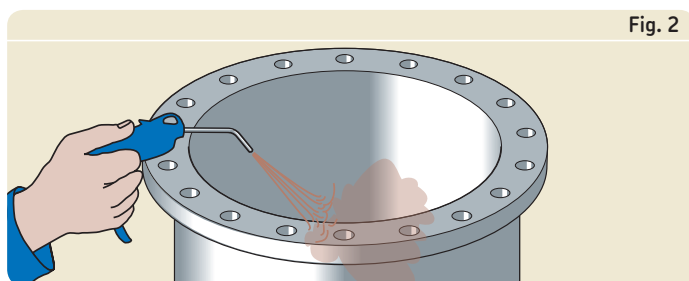


Fig. 2

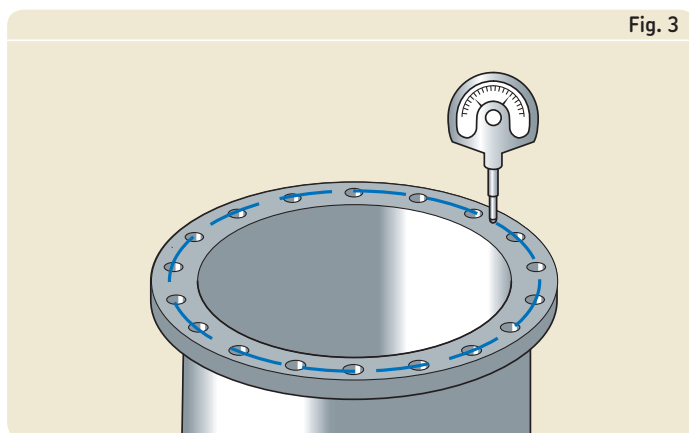


Fig. 3

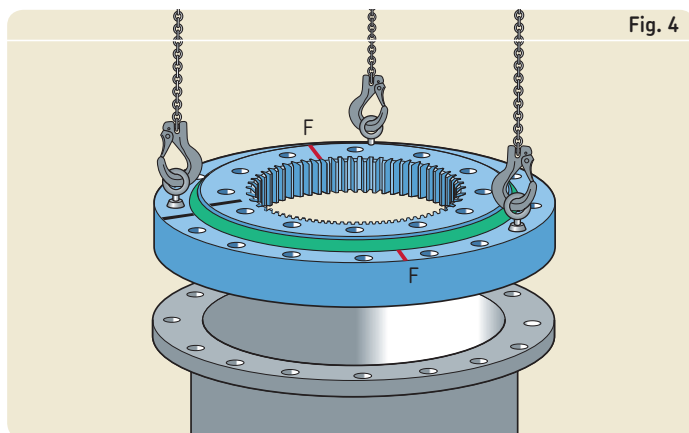


Fig. 4

- 5 Adjust the bearing so that the bolt holes in the ring coincide with those of the support structure. Check that the bearing is level over the entire seat surface (→ **fig. 5**).
- 6 Coat the bolt threads with a thin layer of light oil.
- 7 Fit the bolts, washers and nuts and manually tighten them (→ **fig. 6**).
- 8 In a first round, tighten the bolts or nuts (→ **fig. 7**) to between 40 and 50 % of the prescribed value, following the tightening pattern (→ **fig. 8**). In a second round, fully tighten the bolts or nuts to the prescribed preload, following the tightening pattern.

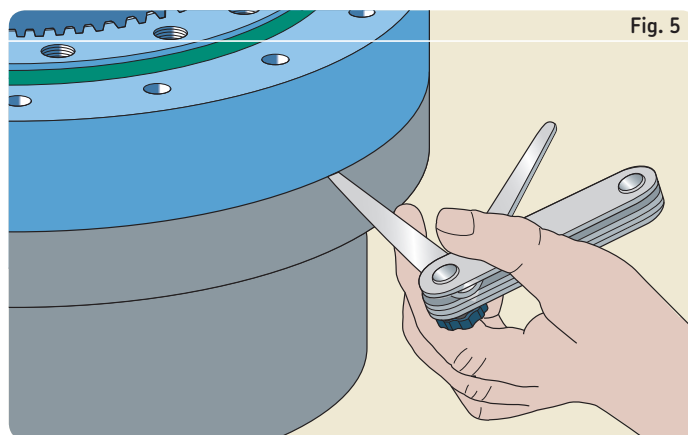


Fig. 5

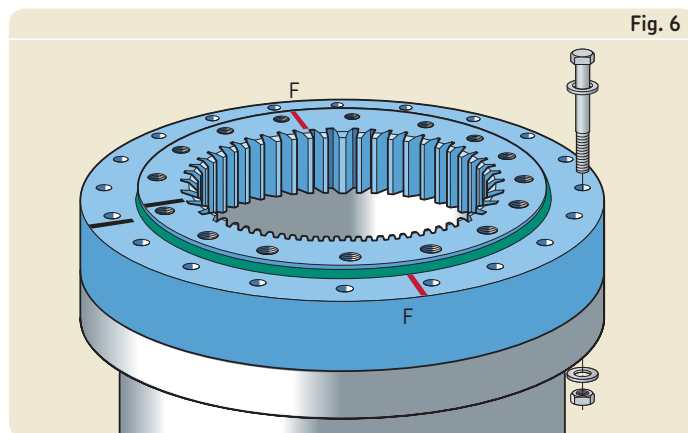


Fig. 6

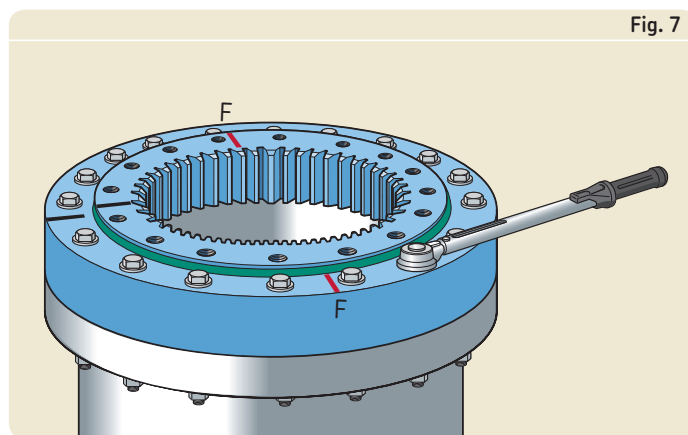


Fig. 7

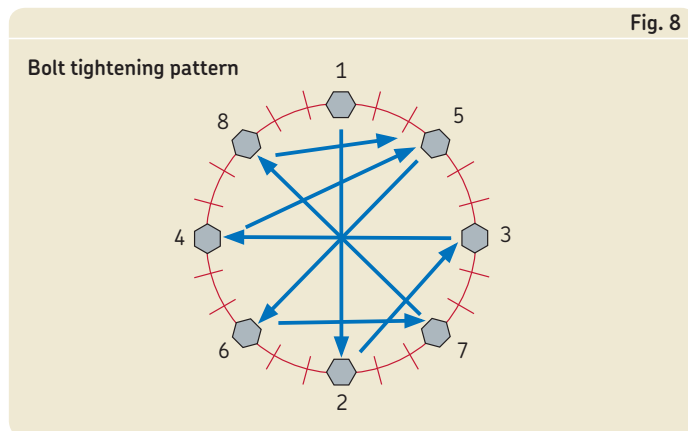
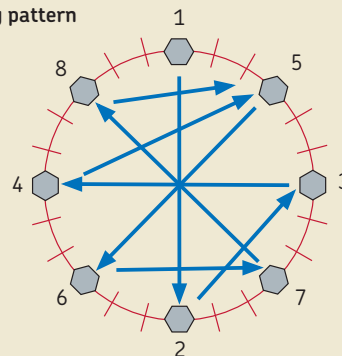


Fig. 8

Bolt tightening pattern



- 9 Check for correct installation by turning the “free” ring (→ **fig. 9**). The torque, which might be high due to preload, grease and friction of the seals, should not show any excessive variation or “tight spots” during rotation. If the torque varies excessively, check the ovality of the bearing, and correct if necessary.
- 10 Position the second support structure with its support surface on the free bearing ring. The **red marking F** on this ring must be at 180° from the **red marking F** of the mounted ring (→ **fig. 10**).
- 11 Adjust the position of the support structure so that the bolt holes coincide with those of the bearing ring.
- 12 Coat the bolt threads with a thin layer of light oil.
- 13 Fit the bolts, washers and nuts and tighten them, following **steps 7 and 8**.
- 14 Check the installation by rotating the assembled bearing arrangement. The torque should not show any excessive variation or “tight spots” during rotation (→ **fig. 11**).
- 15 Measure the tilting clearance of the installed bearing in the main load line with the aid of a dial gauge by applying a defined tilting moment (→ **fig. 12**). Check 180° from the measuring point to be sure that the radial clearance is virtually zero. Mark the measuring points on the adjacent component and note the measured clearance on the installation report.

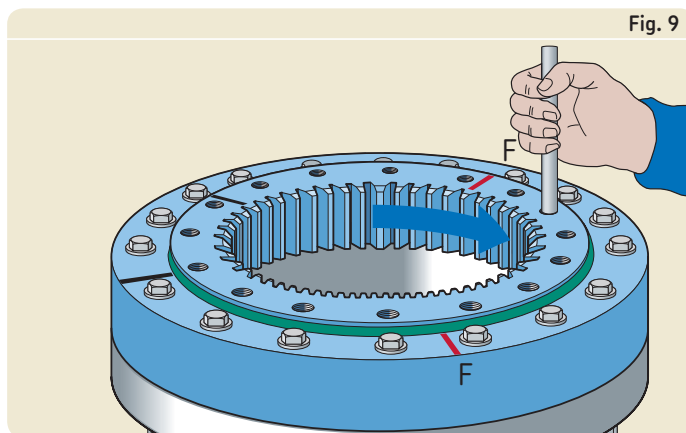


Fig. 9

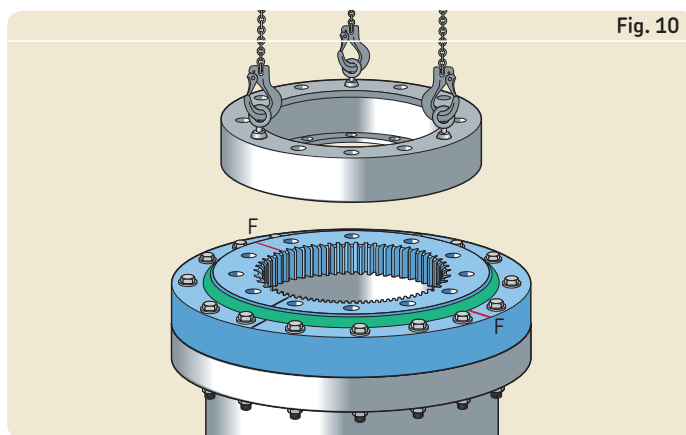


Fig. 10

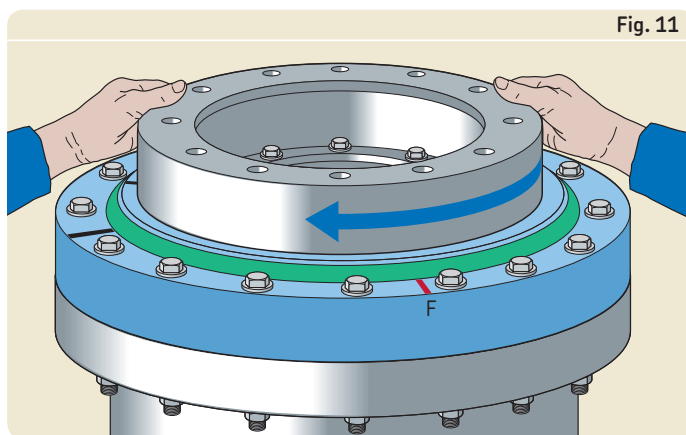


Fig. 11

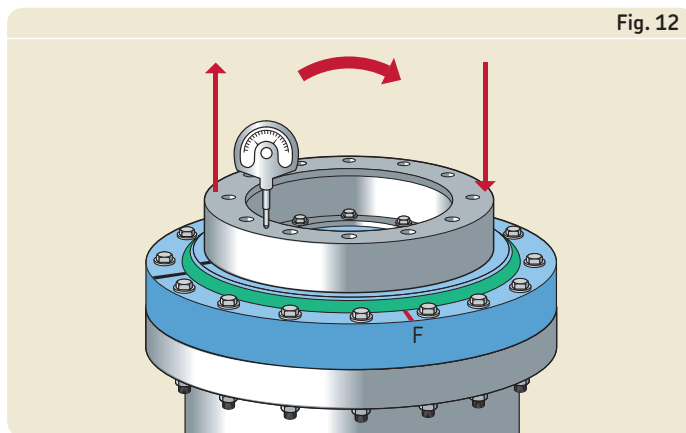


Fig. 12

- 16** For geared slewing bearings, check the backlash, using a feeler gauge, after positioning the pinion (**fig. 13**). The measurement has to be made at the **blue mark** on the bearing gear, which indicates the point where the backlash is smallest. Required values for backlash are listed in **table 1** on **page 29**. If these values are not attained, correct the backlash by adjusting the distance between the centres of the gear wheels.
- 17** Supply grease to the raceway via the grease fittings provided in one of the bearing rings (**fig. 14**). If applicable, rotate the bearing during the greasing operation. If a centralized lubricating system will be used, connect the lubricating tubes to the bearing.
- 18** Lubricate the gear. (→ **fig. 15**)

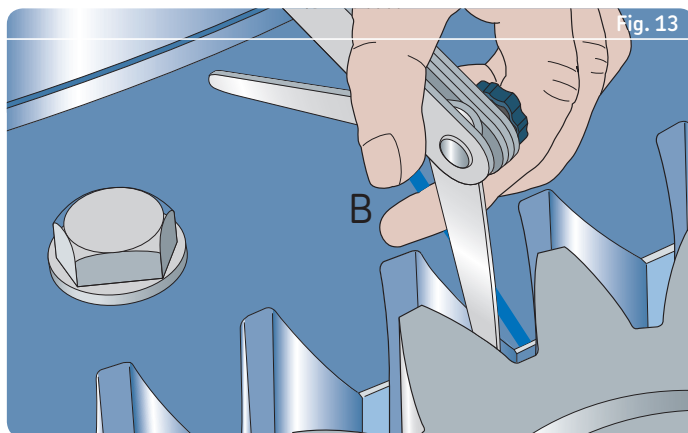


Fig. 14

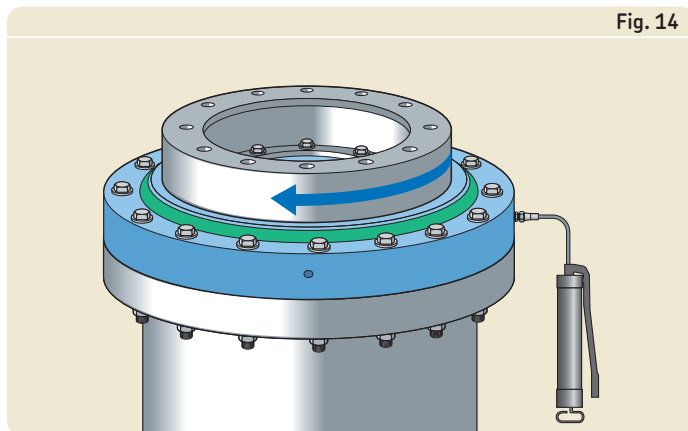
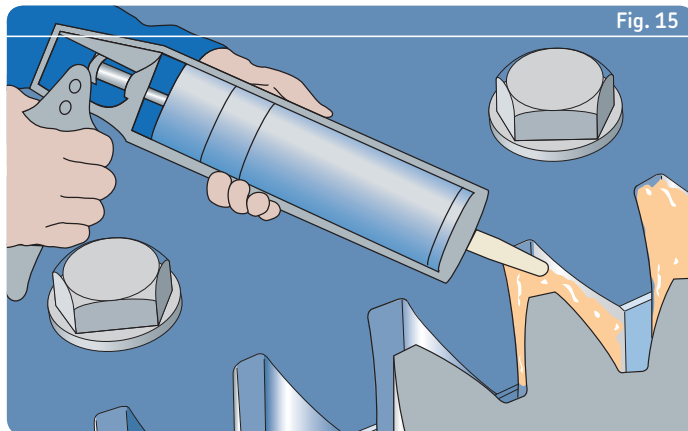


Fig. 15



Trueing up

This section applies only to slewing bearings with a mean raceway diameter above 2 000 mm and having a black marking on each ring.

- 1 Align the black markings by rotating one of the rings (→ **fig. 16**).
- 2 Measure the ovality of each ring at 6 points (30° intervals), e.g. on the centring diameters d_{1c} , d_{2c} , D_{1c} , or D_{2c} , respectively (→ **fig. 17**). The ovality of a bearing ring should not exceed 0,5 mm for bearings with a mean raceway diameter between 2 000 and 3 000 mm.
- 3 Trueing up the bearing is achieved through elastic deformation of the bearing rings. To reduce the ovality, only small adjustments are required, which can be achieved by means of small jacks (→ **fig. 18**) or a star shaped tool.
- 4 After trueing-up, tighten the bolts of the adjusted ring to the prescribed preload (→ **fig. 4**), following the mounting recommendations starting on **page 40**.
- 5 Remove the adjustment tool (→ **fig. 19**).
- 6 Check for correct mounting by turning the “free” ring (→ **fig. 20**). The torque, which might be high due to preload, grease and friction of the seals, should not show any excessive variation or “tight spots” during rotation.

Note: The tools that can be used for trueing-up the bearing are rather simple. They can consist, for example, of a bar with adjustable screws at the ends, to expand the inner ring. Only minimal pressure should be applied against the bearing rings.

Fig. 17

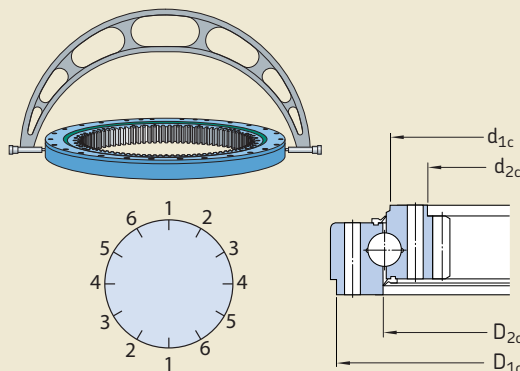


Fig. 18

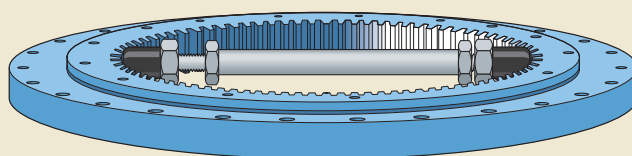


Fig. 19

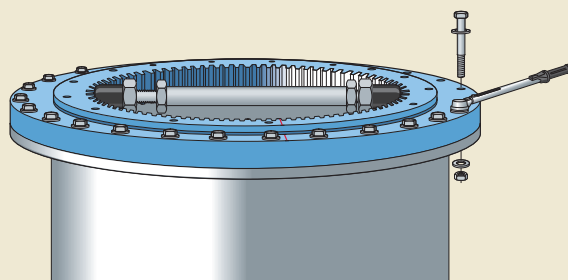


Fig. 16

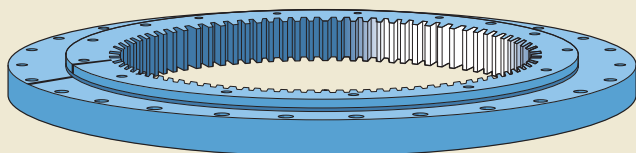
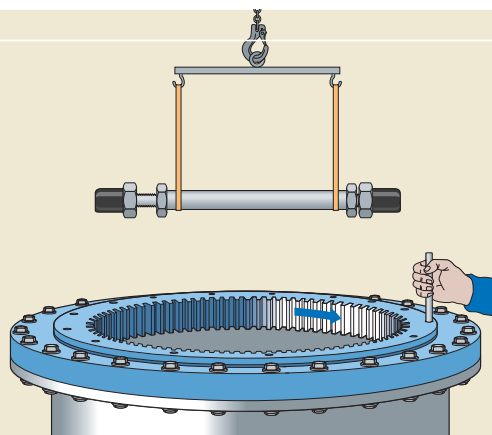


Fig. 20



Inspection

As with all important machine components, slewing bearings should be cleaned and inspected regularly. Maintenance intervals depend entirely on the operating conditions. In applications where there are heavy loads and/or high levels of contamination, decrease the time between inspections.

To avoid accidents or injuries during the inspection process, be sure that the moving part of the slewing bearing arrangement is balanced and that no tilting moments or radial loads are present.

Inspecting axial tilting clearance

To determine and record wear in slewing bearings, SKF recommends checking the axial tilting clearance after 2 000 operating hours, or at least once a year. Since there is a definite relationship between raceway wear and increased axial clearance, measure the axial clearance prior to operation. This is normally done during the bearing installation process (→ **fig. 1**). The results of the first and any subsequent measurements should be noted and recorded as a graph.

For applications where measurement of the axial tilting clearance is not possible, the bearing height reduction (→ **fig. 2**) can be used to define raceway wear:

$$\Delta_{Hw} = H_{s0} - H_{s1}$$

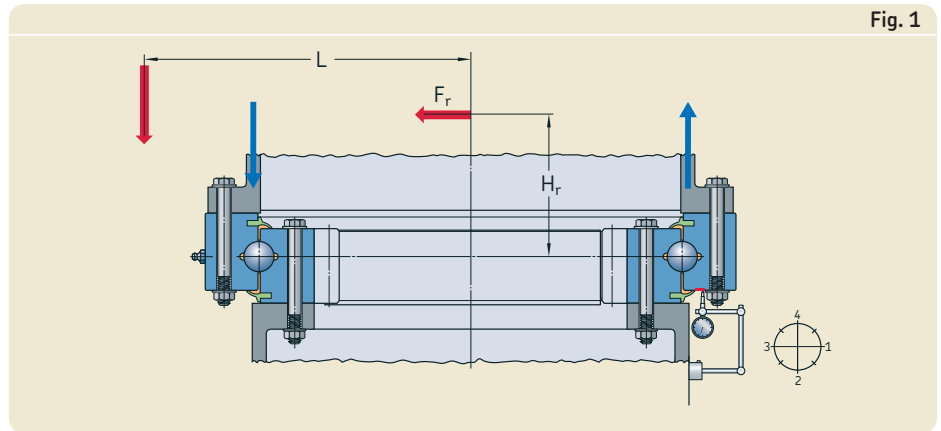
where

Δ_{Hw} = bearing height reduction, mm

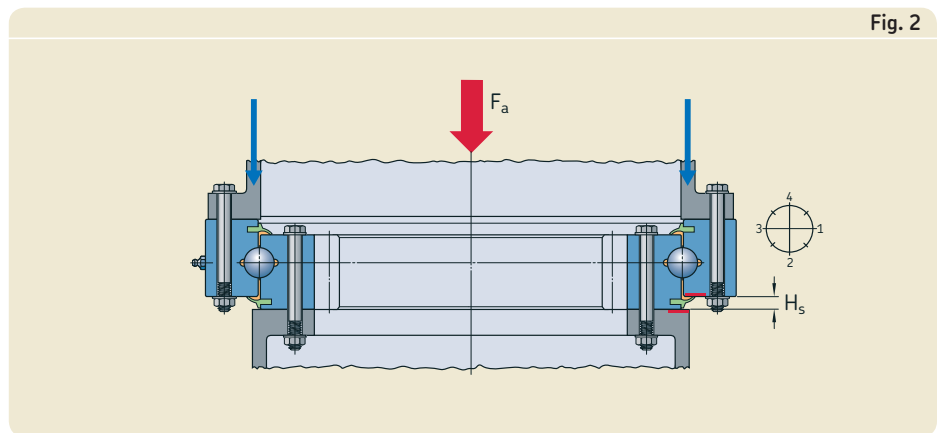
H_{s0} = bearing height after installation, mm

H_{s1} = bearing height after operation, mm

Also, in this case, measurement values of the bearing height are needed after installation and prior to start-up. The procedures used to take measurements should be the same each time. Guideline values for the permissible bearing height reduction as a function of the rolling element diameter are listed in **table 1**. For additional information, contact the SKF application engineering service.



Inspecting axial tilting clearance



Measuring the bearing height reduction

Table 1

| Permissible bearing height reduction | | | |
|---|---|---|---|
| Rolling element diameter ¹⁾ D_w | Bearing height reduction Δ_{Hw} | Rolling element diameter ¹⁾ D_w | Bearing height reduction Δ_{Hw} |
| mm | mm | mm | mm |
| 14 | 1 | 25 | 1,8 |
| 16 | 1,2 | 30 | 2,2 |
| 20 | 1,5 | | |

¹⁾ See "Designation system" on pages 56 and 87. Light series four-point contact ball slewing bearings incorporate 20 mm diameter balls. Rolling element diameter of customized bearings is supplied on request

Fig. 3

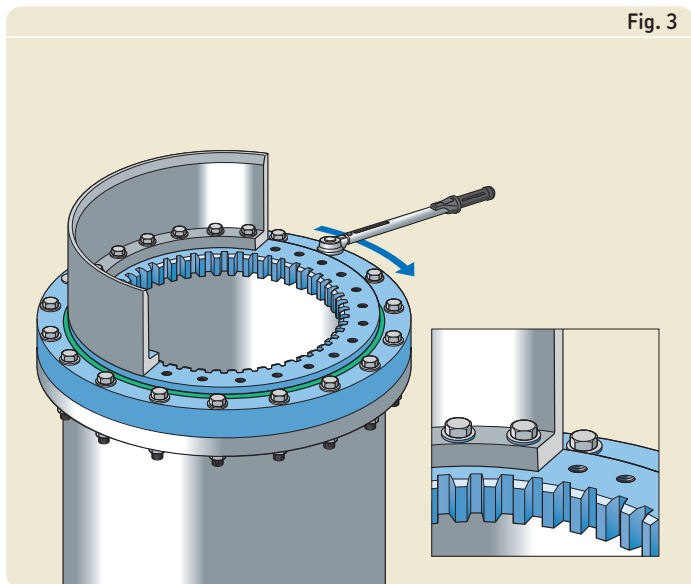
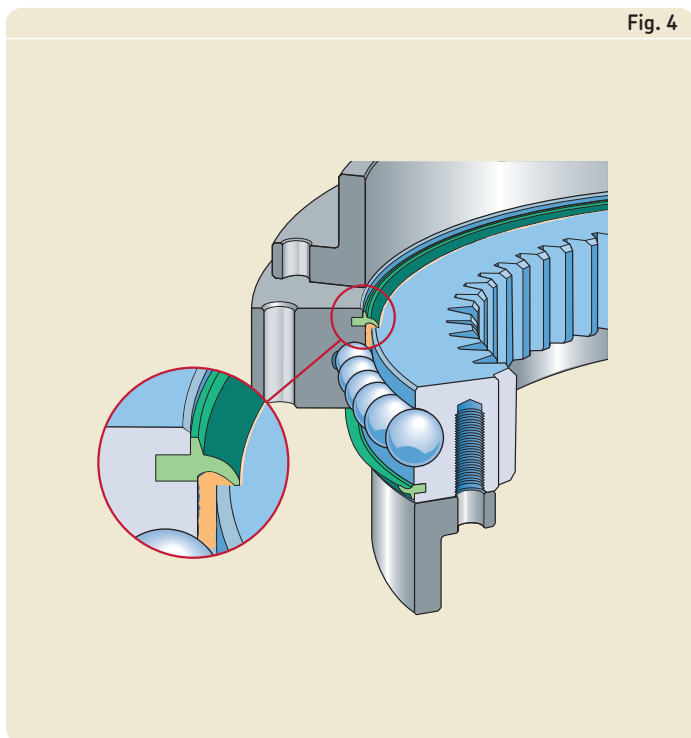
Retightening the bolts

Fig. 4

Seal inspection

Inspecting bolt joints

Special attention must be paid to the bolt joints. Depending on the application, all bolts need to be retightened between the third week and twelve weeks of operation. (→ **fig. 3**).

Before start-up after an extended period of machine downtime, after 2 000 operating hours or at least once a year, all attachment bolts of a slewing bearing arrangement should be retightened. In cases where

- a bolt has lost 20% or more of the prescribed preload, then the actual bolt(s) as well as the two adjacent ones, must be replaced
- at least 20% of the bolts of a single ring are found to have less than 80% of the prescribed preload, then all the bolts must be replaced.

Never loosen or exchange more than one bolt at a time. Use the same tightening method, the same tools and the same type of bolts employed originally.

Seal inspection

The seals or sealing arrangements should be inspected at least every six months during normal maintenance. If necessary, clean the seals and if there are signs of damage, replace the seal to prevent any contaminants from entering the bearing.

Furthermore, check that there is always a sufficient amount of grease around the entire circumference of the sealing lip (→ **fig. 4**).

Note: The instructions for inspecting bolt joints should not be considered as a substitute for standards that may apply in countries where the slewing bearings are operated. When replacing a slewing bearing, always replace the bolts too.

Storage

Slewing bearings can be stored in their original package (→ **fig. 1**) for approximately one year, provided that the relative humidity in the storeroom does not exceed 60% and there is no vibration and no great fluctuation in temperature.

If slewing bearings have to be stored for periods longer than one year, this has to be specified when ordering, because special provisions have to be made during packaging (→ **fig. 3**).

The protection of the bearing enables storage at about 20 °C at a maximum relative humidity of 75% during the time mentioned on the label attached to the packaging.

Slewing bearings should only be stored lying flat on a surface where the entire side face is supported (→ **fig. 2**). If stored in the upright position, the weight of the rings and rolling elements can result in permanent deformation.

For additional information about storage, contact the SKF application engineering service.

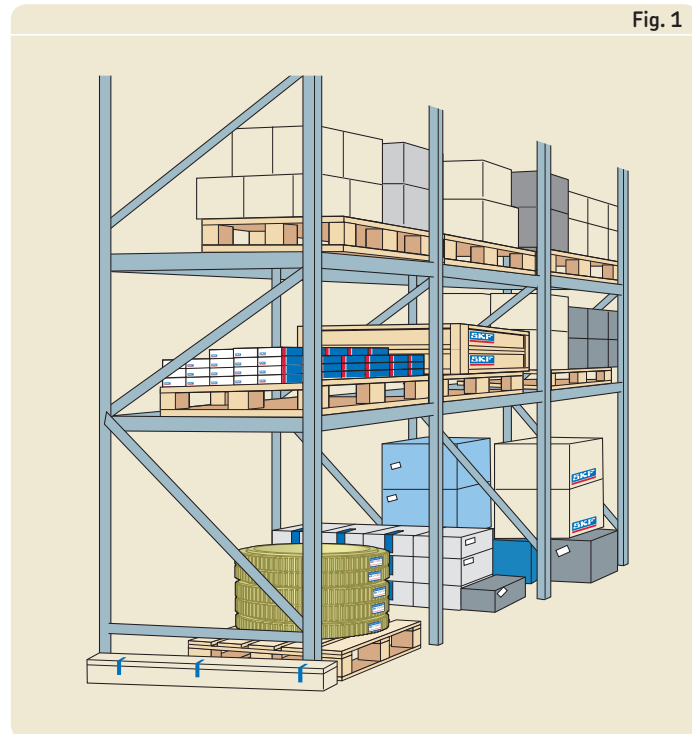


Fig. 1

Correct storage of bearings

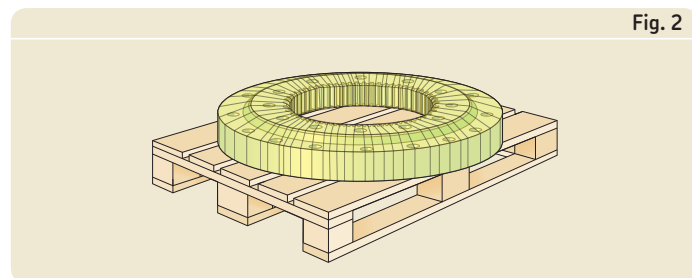


Fig. 2

Standard wrapping of an SKF slewing bearing

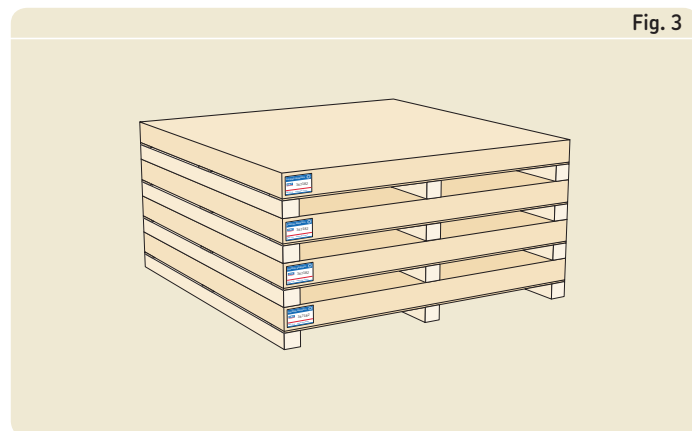


Fig. 3

Wooden package of slewing bearings



Single row four-point contact ball slewing bearings

52 Product data – general

52 General

52 Design

53 Light series single row four-point contact ball slewing bearings

54 Medium size single row four-point contact ball slewing bearings

55 Customized single row four-point contact ball slewing bearings

56 Bearing data – general

56 Dimensions

56 Tolerances

57 Axial clearance

57 Material

57 Corrosion protection

58 Gears

58 Seals

59 Lubrication

60 Designation systems

62 Product tables

Light series four-point contact ball slewing bearings

62 with an external gear

64 with an internal gear

66 without a gear

Medium size four-point contact ball slewing bearings

68 with an external gear

72 with an internal gear

76 without a gear

Customized four-point contact ball slewing bearings

80 with an external gear

82 without a gear

Product data – general

General

Single row four-point contact ball slewing bearings are simple in design. They are particularly versatile and offer many advantages for applications where there are light-to-medium axial, radial and moment loads.

Single row four-point contact ball slewing bearings are the most widely used slewing bearing type. SKF manufactures them in many executions and sizes.

The bearings listed in the following product tables represent only a part of the single row four-point contact ball slewing bearings that are manufactured by SKF on a regular basis or within short lead times.

The actual SKF manufacturing range of customized single row four-point contact ball slewing bearings is much more extensive than what appears in the product tables.

Each custom variant is designed to accommodate special technical demands, which include but are not limited to:

- special ring material
- load carrying ability
- speed capability
- custom bolt patterns
- running accuracy

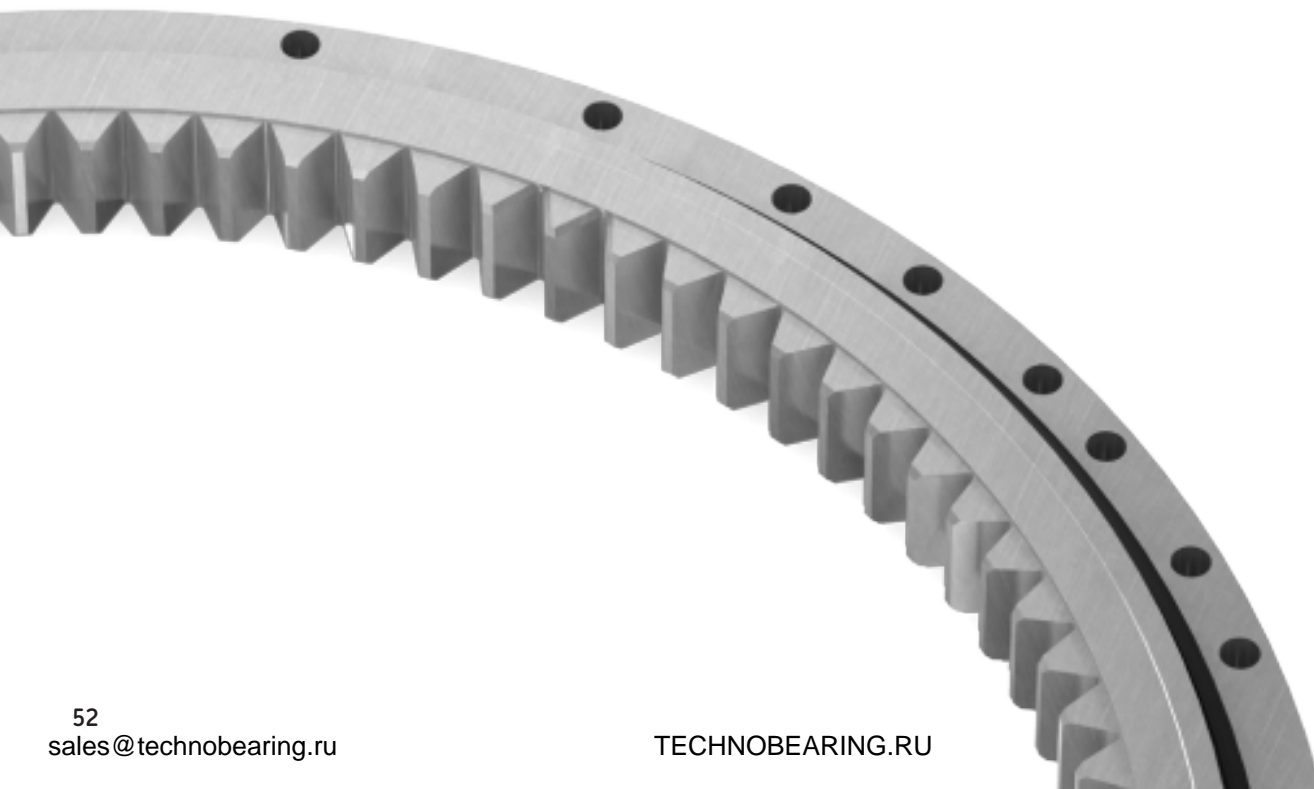
A customized slewing bearing that meets your specific requirements might already exist. As a result, SKF recommends contacting the application engineering service very early in the design stage so that SKF engineers, with their in-depth product and application knowledge, can help you find the most suitable bearing arrangement for your application.

Design

Single row four point contact ball slewing bearings consist of a one-piece inner and outer ring and a set of spacers, protected by integral seals. The balls are inserted into the bearing via a hole in one of the two rings and are separated by polyamide spacers. After loading the ball set and spacers, the hole is closed with a plug that conforms to the raceway contour.

The SKF range of single row four-point contact ball slewing bearings is divided into three series:

- light series four-point contact ball slewing bearings
- medium size four-point contact ball slewing bearings
- customized four-point contact ball slewing bearings



Light series single row four-point contact ball slewing bearings

SKF light series single row four-point contact ball slewing bearings have a thin and fixed cross section, irrespective of the inner or outer diameter. The inner and outer rings have a standardized number of equally spaced holes for attachment bolts, to simplify installation.

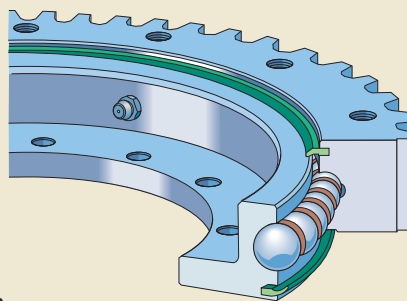
The SKF light series single row four-point contact ball slewing bearings (→ **fig. 1**) listed in the product tables include bearings with a mean raceway diameter ranging from 411 to 1 091 mm and are available with any of the following gear configurations:

- an external gear (**a**), RKS.21 series designation
- an internal gear (**b**), RKS.22 series designation
- without a gear (**c**), RKS.23 series designation

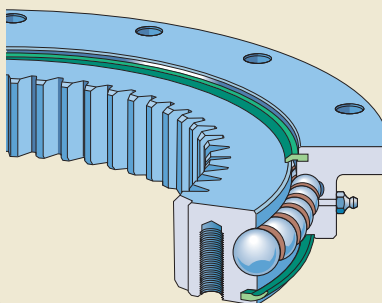
These lightweight general-purpose slewing bearings provide a cost-effective solution for light to medium-duty arrangements, which do not require high precision. Examples include: aerial work platforms, robotics, industrial positioners, turntables and some material handling equipment.

Light series single row four-point contact ball slewing bearings can be operated at circumferential speeds up to 2 m/s.

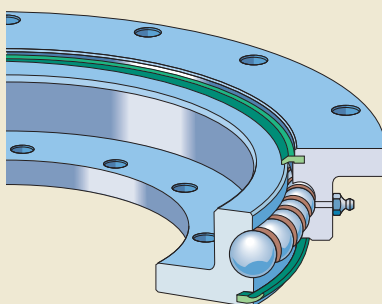
Fig. 1



a

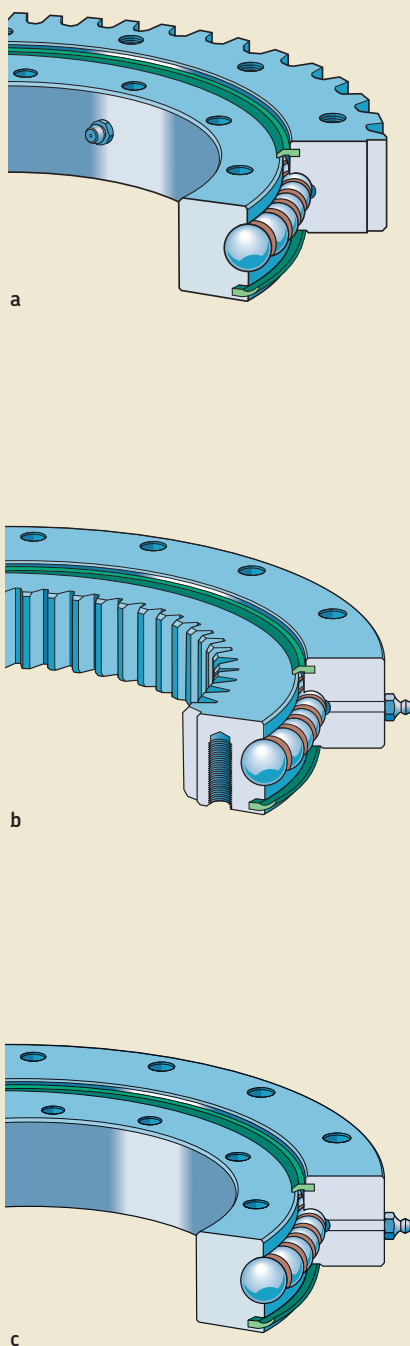


b



c

Fig. 2



Medium size single row four-point contact ball slewing bearings

SKF medium size single row four-point contact ball slewing bearings have a strong, full-size gearless ring. Depending on their size, they are available with two different fixed cross sections within the series. The inner and outer rings have a standardized number of equally spaced holes for attachment bolts, to simplify installation.

The SKF medium size single row four-point contact ball slewing bearings (→ **fig. 2**) listed in the product tables include bearings with a mean raceway diameter ranging from 414 to 1 904 mm and are available with any of the following gear configurations:

- an external gear (**a**), RKS.061 series designation
- an internal gear (**b**), RKS.062 series designation
- without a gear (**c**), RKS.060 series designation

These slewing bearings are available from stock or within short lead times. For up-to-date information about availability, contact the SKF application engineering service.

There is a wide range of applications that can benefit from SKF medium size single row four-point contact ball slewing bearings, consequently they are the most popular. SKF medium size single row four-point contact ball slewing bearings feature a unique combination of load carrying ability and speed capability and provide a cost-effective solution for light to medium-duty arrangements that do not require high precision. Typical applications include, but are not limited to, tower cranes, mobile cranes, lifting platforms and construction or material handling equipment.

Medium size single row four-point contact ball slewing bearings can be operated at circumferential speeds up to 4 m/s.

Customized single row four-point contact ball slewing bearings

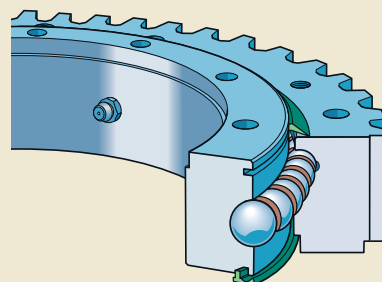
SKF manufactures single row four-point contact ball slewing bearings in a variety of executions and sizes to meet the needs of particular applications.

The customized SKF single row four-point contact ball slewing bearings (→ **fig. 3**) listed in the product tables include bearings with a mean raceway diameter ranging from 179 to 1 258 mm and are available with any of the following gear configurations or options:

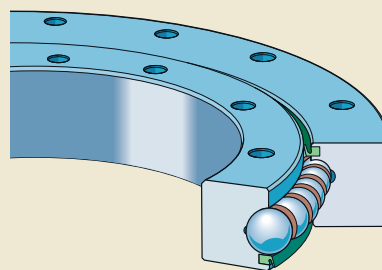
- an external gear (**a**)
- without a gear (**b**)
- with (**a**) or without (**b**) centring recesses

These customized bearings represent only a few designs and sizes that are manufactured on a regular basis or within short lead times. Before incorporating a customized bearing into a design, contact the SKF application engineering service for availability.

Fig. 3



a



b

Table 1

| Diameter tolerances | | | | | |
|---------------------|-------|---|--|---|--|
| Nominal diameter | | Diameter tolerances Ungeared inner and/or outer diameter (d, D) | Centring diameters ¹⁾ | | Bolt hole pitch circle diameters (J _i , J _e) |
| over | incl. | | Inside (d _{2c} , D _{2c}) | Outside (d _{1c} , D _{1c}) | |
| mm | | mm | | | |
| 0 | 500 | +/-2,5 | 0/+0,2 | 0/-0,2 | ±0,5 |
| 500 | 1 000 | +/-2,5 | 0/+0,3 | 0/-0,3 | ±0,5 |
| 1 000 | 1 500 | +/-3,5 | 0/+0,35 | 0/-0,35 | ±0,6 |
| 1 500 | 2 000 | +/-3,5 | 0/+0,4 | 0/-0,4 | ±0,6 |
| 2 000 | 2 500 | +/-5 | 0/+0,4 | 0/-0,4 | ±0,6 |

¹⁾ Applies only to customized bearings

Bearing data – general

Dimensions

The boundary dimensions of single row four-point contact ball slewing bearings are dictated by practical application requirements and do not comply with any international or national standard. Light series and medium size bearings are dimensionally interchangeable with competitors' products.

Tolerances

The dimensional and running accuracy of SKF single row four-point contact ball slewing bearings are listed in

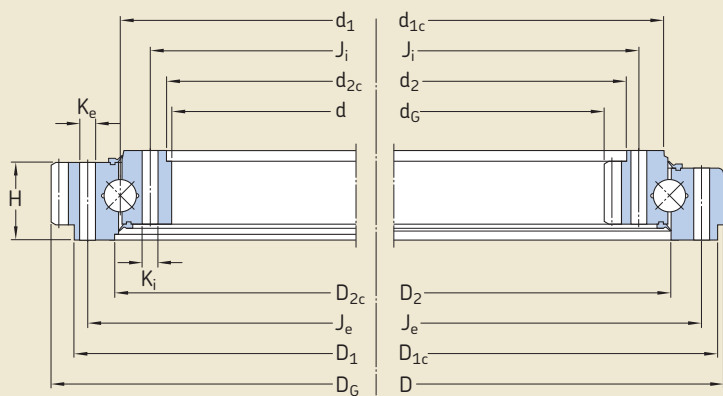
- **table 1:** Diameter tolerances (→ fig. 4)
- **table 2:** Tolerances of tip circle and attachment bolt hole diameters (→ fig. 4)
- **table 3:** Running accuracy

Table 2

| Tolerances of tip circle and attachment bolt hole diameters | | | | |
|---|--|---------------|---|-----------|
| Module m | Tip circle diameters D _G and d _G | | Bolt hole diameters K _e and K _i | |
| | External gear | Internal gear | Nominal diameter | Tolerance |
| mm | | | | |
| 5 | 0/-0,25 | 0/+0,25 | 11 | ±0,3 |
| 6 | 0/-0,3 | 0/+0,3 | 14 | ±0,3 |
| 8 | 0/-0,4 | 0/+0,4 | 16 | ±0,3 |
| 10 | 0/-0,5 | 0/+0,5 | 18 | ±0,4 |
| 14 | 0/-0,7 | 0/+0,7 | 22 | ±0,4 |
| 16 | 0/-0,8 | 0/+0,8 | | |

The tolerance for the total height H is ±1 mm for all single row four-point contact ball slewing bearings.

Fig. 4



Axial clearance

Single row four-point contact ball slewing bearings are manufactured as standard with an internal axial clearance as listed in **table 4**, enabling them to compensate for slight imperfections in associated components, including the support surface.

Material

The rings of light series and medium size single row four-point contact ball slewing bearings up to a mean raceway diameter of 1 094 mm are made of C 45 E tempered steel, in accordance with EN 10083-2:2006. Single row four-point contact ball slewing bearings with a mean raceway diameter larger than 1 094 mm are made of 42CrMo4 bearing steel for induction-hardening, in accordance with EN 10083-3:2006.

The rings of customized single row four-point contact ball slewing bearings listed in the product tables, starting on **page 78** are made from a modified heat-treatable 42 C 2 steel, in accordance with NFA 35-557:1983, or 46Cr2 steel, in accordance with EN 10083-3-2006.

The inner and outer ring raceways are induction hardened, leaving the remainder of the rings, including the gears, unaffected by the hardening process.

The balls are made of 100Cr6 bearing steel for through-hardening, in accordance with EN ISO 683-17:2000.

Corrosion protection

Single row four-point contact ball slewing bearings are protected, as standard, by a solvent-free rust inhibitor.

Table 3

| Nominal mean raceway diameter | | Running accuracy | | Customized bearings | |
|-------------------------------|-------|---------------------------------|--------------------------------|---------------------------------|--------------------------------|
| d _m | incl. | Running accuracy | | Radial runout ¹⁾ max | Axial runout ²⁾ max |
| | | Light series bearings | Medium size bearings | | |
| mm | | Radial runout ¹⁾ max | Axial runout ²⁾ max | Radial runout ¹⁾ max | Axial runout ²⁾ max |
| 0 | 500 | 0,2 | 0,3 | 0,2 | 0,2 |
| 500 | 1 000 | 0,3 | 0,4 | 0,3 | 0,2 |
| 1 000 | 1 500 | 0,35 | 0,5 | 0,35 | 0,2 |
| 1 500 | 2 000 | 0,45 | 0,6 | 0,4 | 0,25 |
| 2 000 | 2 500 | 0,5 | 0,7 | 0,45 | 0,25 |

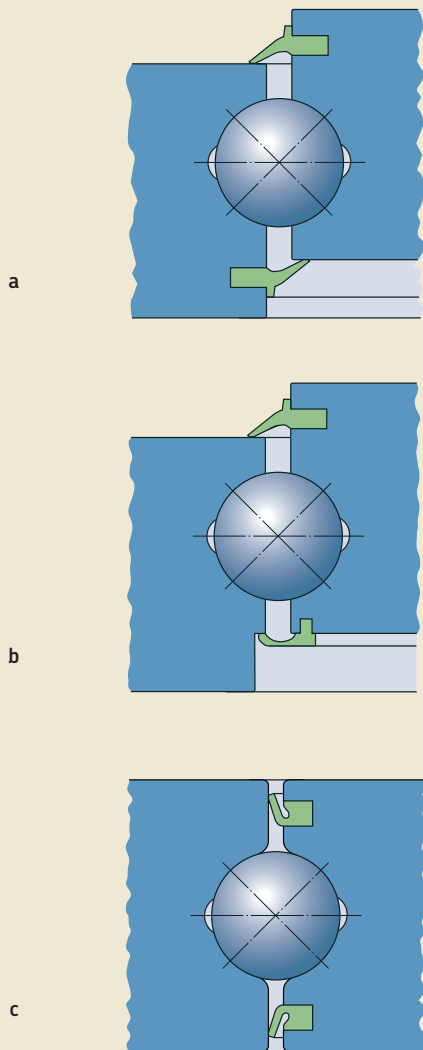
¹⁾ Radial runout of the centre of the inner or outer ring of an assembled bearing
²⁾ Axial runout of the mating surface of the inner or outer ring of an assembled bearing

Table 4

| Nominal mean raceway diameter | Measuring load | Axial clearance ¹⁾ | | Customized bearings |
|-------------------------------|----------------|-------------------------------|--------------------------|---------------------|
| | | Light series bearings max | Medium size bearings max | |
| mm | N | mm | | max |
| 179, 257, 402 | 200 | – | – | 0,185 |
| 411, 414 | 200 | 0,3 | 0,28 | 0,185 |
| 541, 544 | 200 | 0,3 | 0,3 | 0,185 |
| 641, 644 | 250 | 0,35 | 0,3 | 0,185 |
| 741, 744 | 250 | 0,35 | 0,3 | 0,185 |
| 841, 844 | 300 | 0,4 | 0,3 | 0,185 |
| 941, 944, 980 | 300 | 0,45 | 0,3 | 0,185 |
| 1 091, 1 094 | 350 | 0,5 | 0,3 | 0,185 |
| 1 204, 1 258 | 350 | – | 0,3 | 0,185 |
| 1 314 | 400 | – | 0,3 | 0,185 |
| 1 424 | 400 | – | 0,3 | 0,185 |
| 1 534 | 400 | – | 0,3 | 0,185 |
| 1 644 | 500 | – | 0,3 | 0,22 |
| 1 754 | 500 | – | 0,3 | 0,22 |
| 1 904 | 500 | – | 0,3 | 0,22 |

¹⁾ Arithmetical mean of three measurements

Fig. 5



Gears

The gear teeth are manufactured to an SKF specification that closely follows accuracy grade 12 in accordance with ISO 1328-2:1997 and are not hardened. Guideline values for the permissible tooth forces can be obtained from the product tables.

The gear of a new bearing is coated with a preservative. After mounting has been completed, lubricant needs to be applied to the gear. This lubricant should have good adhesive properties and a high resistance to water washout. Additionally, the lubricant must be able to withstand temperatures of +100 °C and has to have a base oil viscosity of at least 500 mm²/s at +40 °C.

Seals

The integral seals are made of profiled strips of non-reinforced acrylonitrile-butadiene rubber (NBR). They seal axially against the side face of the inner or outer ring (→ fig. 5a, b) or radially against the cylindrical surface of the inner or outer ring (→ fig. 5c). This material has very good engineering properties and shows good resistance to most mineral oils and greases. The permissible operating temperatures of the seal material range from -40 to +110 °C.

Lubrication

Standard SKF single row four-point contact ball slewing bearings are filled with a mineral oil based grease with a consistency of 2 on the NLGI scale using a lithium soap thickener and containing extreme pressure additives. The base oil viscosity is 200 mm²/s at 40 °C and 16 mm²/s at 100 °C. This grease has good rust inhibiting properties and a temperature range of –20 up to +110 °C. Reliable lubrication according to the SKF traffic light concept occurs when operating temperatures range from +30 to +110°C.

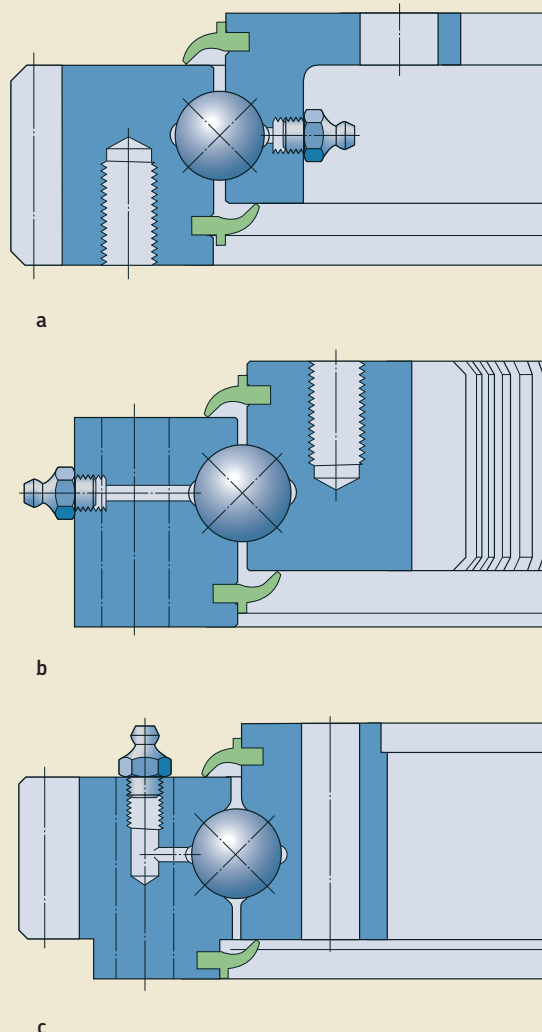
Light series and medium size single row four-point contact ball slewing bearings can be relubricated through four equally spaced grease fittings to DIN 71412:1987:

- in the inner ring of bearings with an external gear (→ **fig. 6a**)
- in the outer ring of bearings with an internal gear (→ **fig. 6b**)
- in the outer ring of bearings without a gear

Relubrication features of customized slewing bearings (→ **fig. 6c**) depend on the needs of the application. For additional information, contact the SKF application engineering service.

Guidelines to determine relubrication intervals for slewing bearings in vertical arrangements under normal and clean conditions are provided in the chapter “Lubrication”, starting on **page 28**.

Fig. 6



Designation systems

The designation system for SKF light series and medium size single row four-point contact ball slewing bearings is described in **table 5**.

The designation system for SKF customized slewing bearings is described in **table 6**.

Table 5

Designation system of SKF light series and medium size single row four-point contact ball slewing bearings

Examples: **RKS.21 0411**
RKS.23 0941
RKS.062.20.0414
RKS.060.30.1904

| | | | | |
|------|----|----|-----|------|
| RKS. | 2 | 1 | | 0411 |
| RKS. | 2 | 3 | | 0941 |
| RKS. | 06 | 2. | 20. | 0414 |
| RKS. | 06 | 0. | 30. | 1904 |

Bearing identification

RKS SKF slewing bearing

Series identification

2 Light series single row four-point contact ball slewing bearing
06 Medium size single row four-point contact ball slewing bearing

Identification of gear position

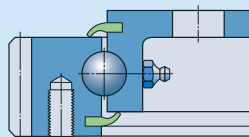
0 Without a gear (medium size bearings)
1 With an external gear
2 With an internal gear
3 Without a gear (light series bearings)

Ball size identification

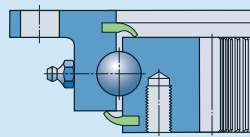
20 20 mm ball diameter
25 25 mm ball diameter
30 30 mm ball diameter

Identification of bearing size

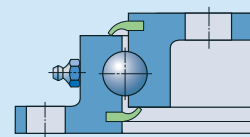
0411 411 mm mean raceway diameter
to
1904 1 904 mm mean raceway diameter



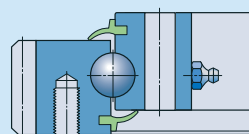
21 light series, with an external gear



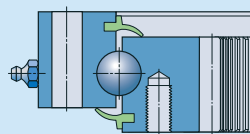
22 light series, with an internal gear



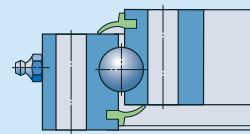
23 light series, without a gear



061 medium size, with an external gear



062 medium size, with an internal gear



060 medium size, without a gear

Table 6

Designation system of customized SKF slewing bearings

Examples: **RKS.20404 0101001**
RKS.90015 5101001

| | | | | | | | |
|------|---|---|---|----|----|----|-----|
| RKS. | 2 | 0 | 4 | 04 | 01 | 01 | 001 |
| RKS. | 9 | 0 | 0 | 15 | 51 | 01 | 001 |

Bearing identification

RKS SKF slewing bearing

Bearing size identification

- 1** Outside diameter from > 500 to ≤ 820 mm
- 2** Outside diameter from > 820 to ≤ 1 200 mm
- 3** Outside diameter from >1 200 to ≤ 1 475 mm
- 4** Outside diameter from >1 475 to ≤ 2 000 mm
- 5** Outside diameter from > 2 000 to ≤ 2 500 mm
- 9** Outside diameter ≤ 500 mm

Identification of bearing type

- 0** Ball bearing with an external gear
- 1** Crossed cylindrical roller bearing with an internal gear
- 2** Crossed cylindrical roller bearing with an external gear
- 5** Ball bearing with an internal gear

Rolling element size identification

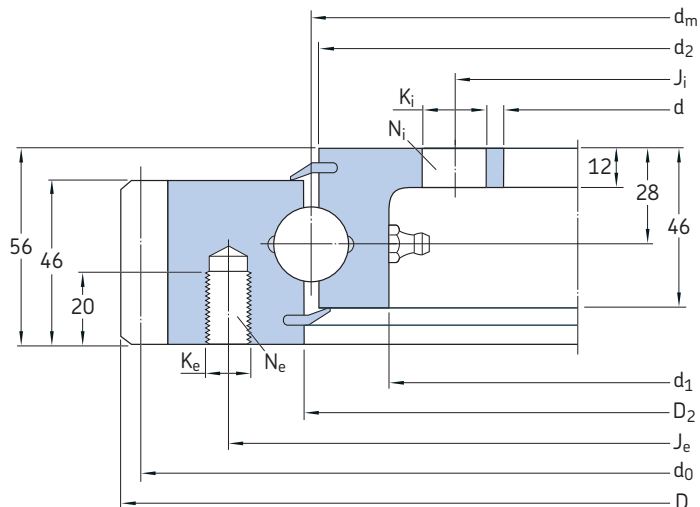
- 0** Rolling element diameter < 20 mm or ≥ 71 mm
- 1** 20 mm rolling element diameter
- 2** 25 mm rolling element diameter
- 3** 30 mm rolling element diameter
- 4** 36 mm rolling element diameter
- 5** 40 mm rolling element diameter

Variants

Numbering system for coding variants like gear, heat treatment, cage, clearance, mounting, etc. Contact SKF for details.

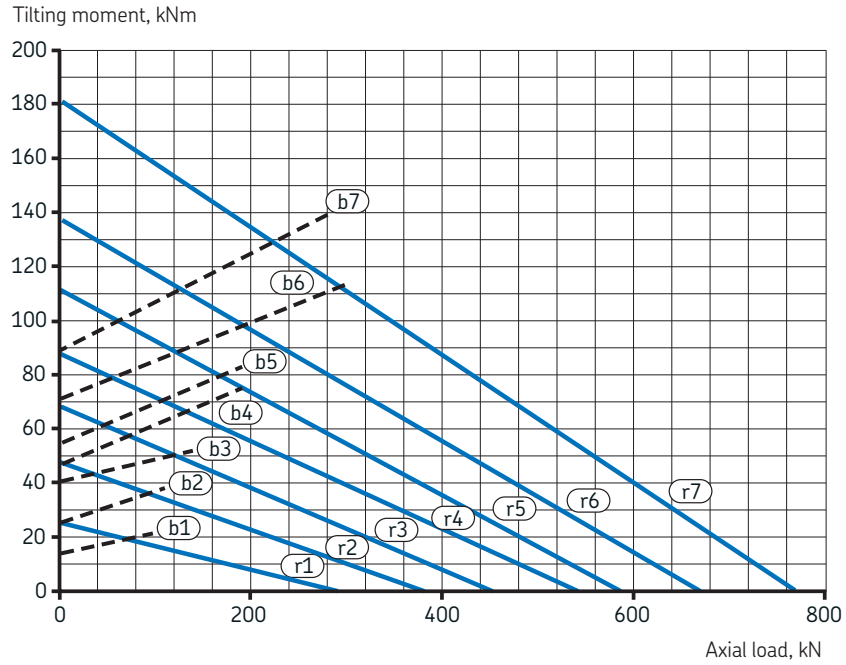


Light series four-point contact ball slewing bearings with an external gear

 d_m 411 – 1 091 mm

| Dimensions | | | Attachment bolt holes | | | | | | Inner ring | | | Mass | Designation |
|--------------|-------|---------|-----------------------|-------|---------|-------|-------|-------|------------|-------|-------|------|--------------------|
| d_m | D | D_2 | d | d_1 | d_2 | J_e | K_e | N_e | J_i | K_i | N_i | kg | – |
| mm | | | | | | | | | mm | | | – | |
| 411 | 505 | 412,5 | 304 | 368 | 409,5 | 455 | M 12 | 10 | 332 | 18 | 12 | 32,0 | RKS.21 0411 |
| 541 | 640 | 542,5 | 434 | 498 | 539,5 | 585 | M 12 | 14 | 462 | 18 | 14 | 44,0 | RKS.21 0541 |
| 641 | 742 | 642,5 | 534 | 598 | 639,5 | 685 | M 12 | 16 | 562 | 18 | 16 | 52,0 | RKS.21 0641 |
| 741 | 840 | 742,5 | 634 | 698 | 739,5 | 785 | M 12 | 18 | 662 | 18 | 16 | 60,0 | RKS.21 0741 |
| 841 | 950 | 842,5 | 734 | 798 | 839,5 | 885 | M 12 | 18 | 762 | 18 | 18 | 68,0 | RKS.21 0841 |
| 941 | 1 046 | 942,5 | 834 | 898 | 939,5 | 985 | M 12 | 20 | 862 | 18 | 20 | 76,0 | RKS.21 0941 |
| 1 091 | 1 198 | 1 092,5 | 984 | 1 048 | 1 089,5 | 1 135 | M 12 | 22 | 1 012 | 18 | 20 | 86,0 | RKS.21 1091 |

Relubrication can be done through 4 equally spaced grease fittings AM 8x1 to DIN 71412 in the inner ring.



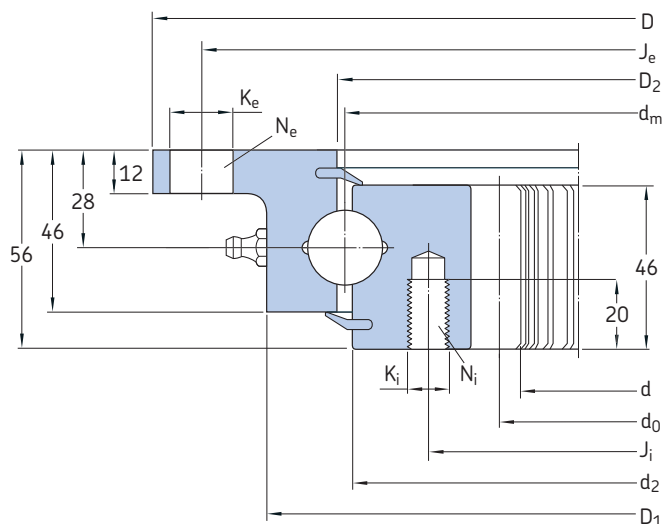
3

| Designation | Gear Dimensions | | | Permissible tooth forces | | Basic load ratings | | Static limiting load diagram | |
|-------------|-----------------|---|-----|--------------------------|------------|--------------------|--------------|------------------------------|-------------|
| | $d_0^{1)}$ | m | z | $T_{fnormal}^{2)}$ | T_{fmax} | axial dynamic C | static C_0 | Raceway curves | Bolt curves |
| – | mm | – | – | kN | – | kN | – | – | – |
| RKS.21 0411 | 495 | 5 | 99 | 12 | 46 | 169 | 284 | r1 | b1 |
| RKS.21 0541 | 630 | 6 | 105 | 16 | 54 | 188 | 380 | r2 | b2 |
| RKS.21 0641 | 732 | 6 | 122 | 16 | 54 | 200 | 440 | r3 | b3 |
| RKS.21 0741 | 828 | 6 | 138 | 16 | 54 | 211 | 524 | r4 | b4 |
| RKS.21 0841 | 936 | 8 | 117 | 21 | 72 | 222 | 580 | r5 | b5 |
| RKS.21 0941 | 1 032 | 8 | 129 | 21 | 72 | 231 | 664 | r6 | b6 |
| RKS.21 1091 | 1 184 | 8 | 148 | 21 | 72 | 244 | 766 | r7 | b7 |

¹⁾ Gear pitch circle diameter
²⁾ Normalized gear teeth; calculated for 3 000 000 operating cycles

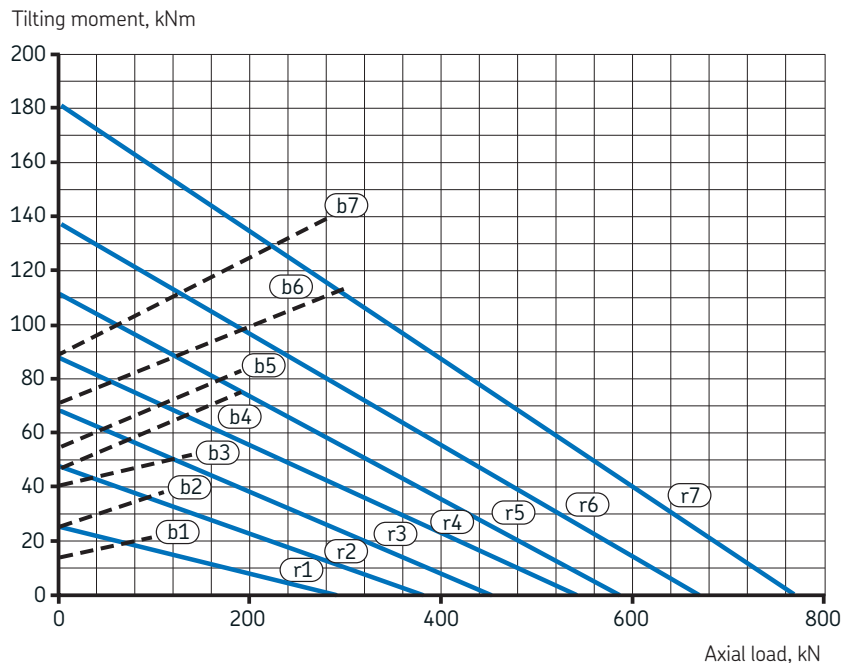
Light series four-point contact ball slewing bearings with an internal gear

d_m 411 – 1 091 mm



| Dimensions | | | Attachment bolt holes | | | | | | Inner ring | | | Mass | Designation |
|--------------|-------|----------------|-----------------------|-----|----------------|----------------|----------------|----------------|----------------|----------------|----------------|------|--------------------|
| d_m | D | D ₁ | D ₂ | d | d ₂ | J _e | K _e | N _e | J _i | K _i | N _i | | |
| mm | | | | | | mm | | - | mm | | - | kg | - |
| 411 | 518 | 454 | 412,5 | 325 | 409,5 | 490 | 18 | 8 | 375 | M 12 | 12 | 31,0 | RKS.22 0411 |
| 541 | 648 | 584 | 542,5 | 445 | 539,5 | 620 | 18 | 10 | 505 | M 12 | 16 | 41,0 | RKS.22 0541 |
| 641 | 748 | 684 | 642,5 | 546 | 639,5 | 720 | 18 | 12 | 605 | M 12 | 18 | 48,0 | RKS.22 0641 |
| 741 | 848 | 784 | 742,5 | 649 | 739,5 | 820 | 18 | 12 | 705 | M 12 | 20 | 55,0 | RKS.22 0741 |
| 841 | 948 | 884 | 842,5 | 736 | 839,5 | 920 | 18 | 14 | 805 | M 12 | 20 | 63,0 | RKS.22 0841 |
| 941 | 1 048 | 984 | 942,5 | 840 | 939,5 | 1 020 | 18 | 16 | 905 | M 12 | 22 | 71,0 | RKS.22 0941 |
| 1 091 | 1 198 | 1 134 | 1 092,5 | 986 | 1 089,5 | 1 170 | 18 | 16 | 1 055 | M 12 | 24 | 80,0 | RKS.22 1091 |

Relubrication can be done through 4 equally spaced grease fittings AM 8x1 to DIN 71412 in the outer ring.

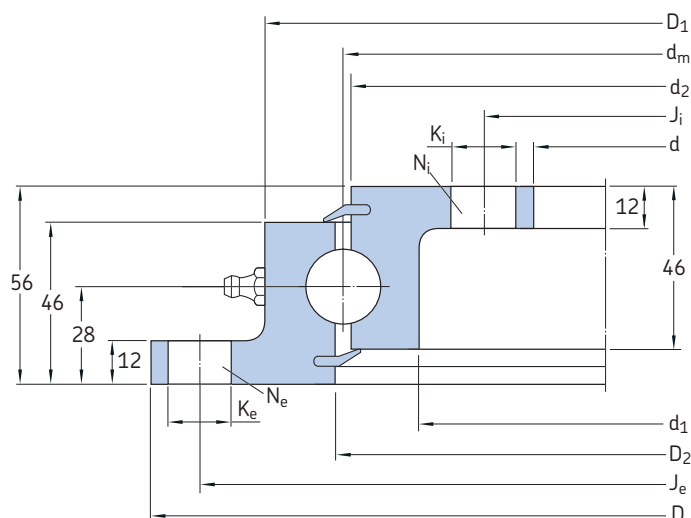


3

| Designation | Gear Dimensions | | | Permissible tooth forces | | Basic load ratings | | Static limiting load diagram | |
|-------------|-----------------|---|-----|--------------------------|------------|--------------------|--------------|------------------------------|-------------|
| | $d_0^{1)}$ | m | z | $T_{fnormal}^{2)}$ | T_{fmax} | axial dynamic C | static C_0 | Raceway curves | Bolt curves |
| – | mm | – | – | kN | – | kN | – | – | – |
| RKS.22 0411 | 335 | 5 | 67 | 12 | 49 | 169 | 284 | r1 | b1 |
| RKS.22 0541 | 456 | 6 | 76 | 16 | 65 | 188 | 380 | r2 | b2 |
| RKS.22 0641 | 558 | 6 | 93 | 16 | 65 | 200 | 440 | r3 | b3 |
| RKS.22 0741 | 660 | 6 | 110 | 16 | 65 | 211 | 524 | r4 | b4 |
| RKS.22 0841 | 752 | 8 | 94 | 21 | 87 | 222 | 580 | r5 | b5 |
| RKS.22 0941 | 856 | 8 | 107 | 21 | 87 | 231 | 664 | r6 | b6 |
| RKS.22 1091 | 1 000 | 8 | 125 | 21 | 87 | 244 | 766 | r7 | b7 |

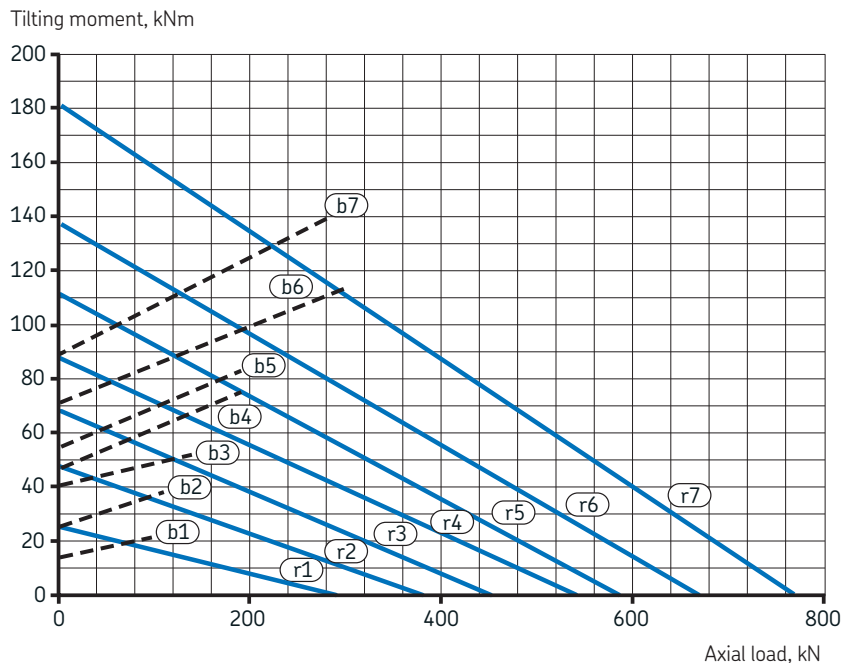
¹⁾ Gear pitch circle diameter
²⁾ Normalized gear teeth; calculated for 3 000 000 operating cycles

Light series four-point contact ball slewing bearings without a gear

d_m 411 – 1 091 mm

| Dimensions | | Attachment bolt holes | | | Outer ring | | | Inner ring | | | Mass | Designation | | |
|----------------|-------|-----------------------|----------------|-----|----------------|----------------|----------------|----------------|----------------|----------------|----------------|----------------|------|--------------------|
| d _m | D | D ₁ | D ₂ | d | d ₁ | d ₂ | J _e | K _e | N _e | J _i | K _i | N _i | kg | – |
| mm | | | | | | | mm | – | – | mm | – | – | kg | – |
| 411 | 518 | 454 | 412,5 | 304 | 368 | 409,5 | 490 | 18 | 8 | 332 | 18 | 12 | 23,5 | RKS.23 0411 |
| 541 | 648 | 584 | 542,5 | 434 | 498 | 539,5 | 620 | 18 | 10 | 462 | 18 | 14 | 31,0 | RKS.23 0541 |
| 641 | 748 | 684 | 642,5 | 534 | 598 | 639,5 | 720 | 18 | 12 | 562 | 18 | 16 | 36,5 | RKS.23 0641 |
| 741 | 848 | 784 | 742,5 | 634 | 698 | 739,5 | 820 | 18 | 12 | 662 | 18 | 16 | 43,0 | RKS.23 0741 |
| 841 | 948 | 884 | 842,5 | 734 | 798 | 839,5 | 920 | 18 | 14 | 762 | 18 | 18 | 48,0 | RKS.23 0841 |
| 941 | 1 048 | 984 | 942,5 | 834 | 898 | 939,5 | 1 020 | 18 | 16 | 862 | 18 | 20 | 54,0 | RKS.23 0941 |
| 1 091 | 1 198 | 1 134 | 1 092,5 | 984 | 1 048 | 1 089,5 | 1 170 | 18 | 16 | 1 012 | 18 | 20 | 62,0 | RKS.23 1091 |

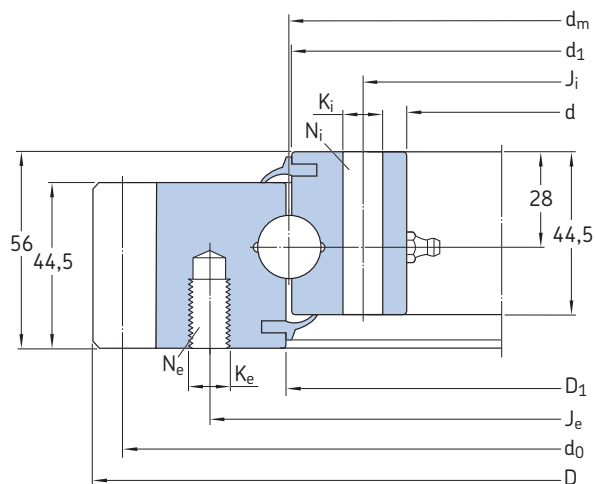
Relubrication can be done through 4 equally spaced grease fittings AM 8x1 to DIN 71412 in the outer ring.



| Designation | Basic load ratings | | Static limiting load diagram | |
|-------------|-----------------------|--------------------------|------------------------------|----------------|
| | axial dynamic C | static C ₀ | Raceway curves | Bolt curves |
| – | kN | | – | |
| RKS.23 0411 | 169 | 284 | r1 | b1 |
| RKS.23 0541 | 188 | 380 | r2 | b2 |
| RKS.23 0641 | 200 | 440 | r3 | b3 |
| RKS.23 0741 | 211 | 524 | r4 | b4 |
| RKS.23 0841 | 222 | 580 | r5 | b5 |
| RKS.23 0941 | 231 | 664 | r6 | b6 |
| RKS.23 1091 | 244 | 766 | r7 | b7 |

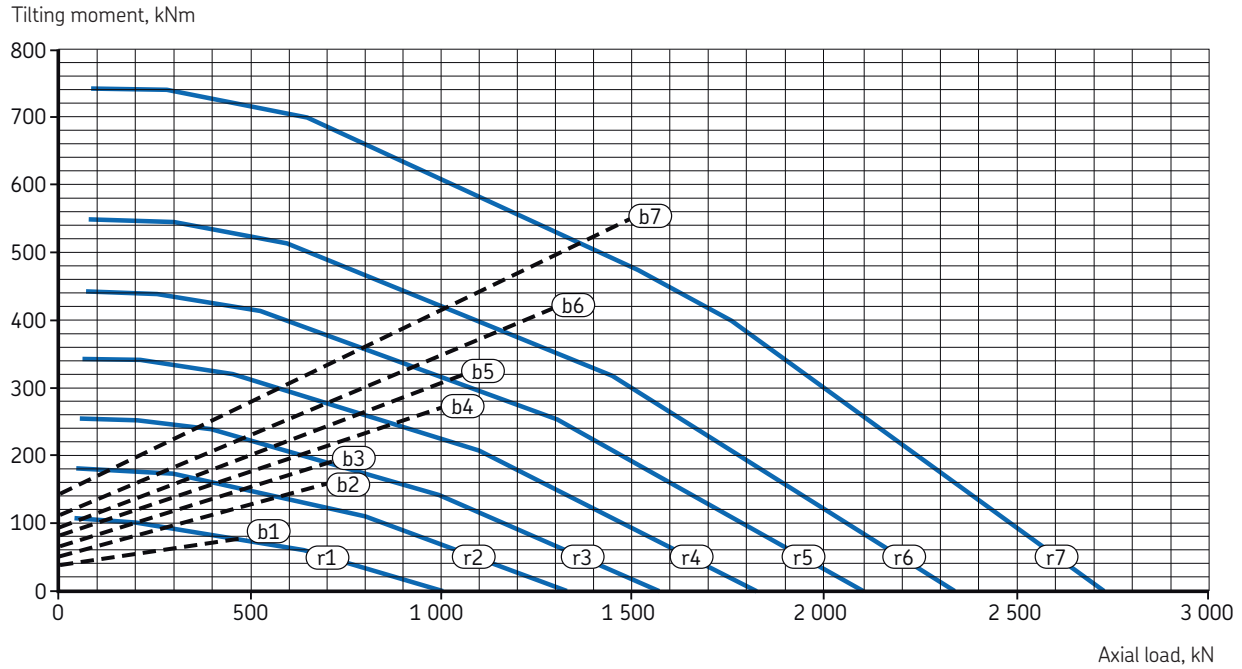
Medium size four-point contact ball slewing bearings with an external gear

d_m 414 – 1 094 mm



| Dimensions | | | | | Attachment bolt holes Outer ring | | | Inner ring | | | Mass | Designation |
|--------------|---------|---------|-------|---------|-------------------------------------|-------|-------|------------|-------|-------|------|------------------------|
| d_m | D | D_1 | d | d_1 | J_e | K_e | N_e | J_i | K_i | N_i | | |
| mm | | | | | mm | | - | mm | | - | kg | - |
| 414 | 504 | 415,5 | 342 | 412,5 | 455 | M 12 | 20 | 368 | 13,5 | 24 | 31,0 | RKS.061.20.0414 |
| 544 | 640,8 | 545,5 | 472 | 542,5 | 585 | M 12 | 28 | 498 | 13,5 | 32 | 43,0 | RKS.061.20.0544 |
| 644 | 742,8 | 645,5 | 572 | 642,5 | 685 | M 12 | 32 | 598 | 13,5 | 36 | 52,0 | RKS.061.20.0644 |
| 744 | 838,8 | 745,5 | 672 | 742,5 | 785 | M 12 | 36 | 698 | 13,5 | 40 | 59,0 | RKS.061.20.0744 |
| 844 | 950,4 | 845,5 | 772 | 842,5 | 885 | M 12 | 36 | 798 | 13,5 | 40 | 71,0 | RKS.061.20.0844 |
| 944 | 1 046,4 | 945,5 | 872 | 942,5 | 985 | M 12 | 40 | 898 | 13,5 | 44 | 77,0 | RKS.061.20.0944 |
| 1 094 | 1 198,4 | 1 095,5 | 1 022 | 1 092,5 | 1 135 | M 12 | 44 | 1 048 | 13,5 | 48 | 91,0 | RKS.061.20.1094 |

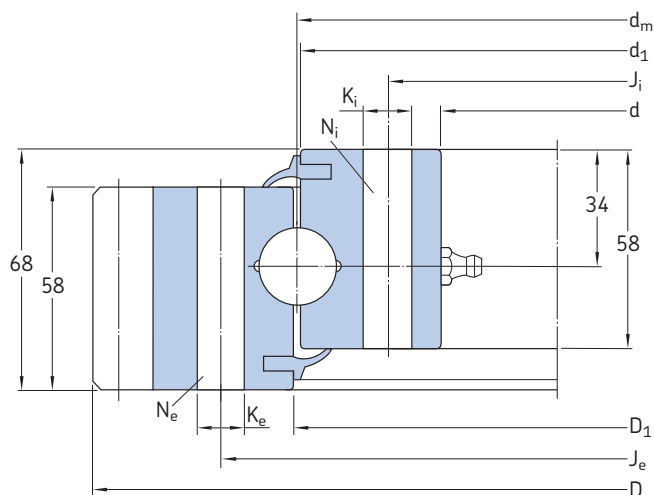
Relubrication can be done through 4 equally spaced grease fittings A M10x1 to DIN 71412 in the inner ring.



| Designation | Gear Dimensions | | | | Permissible tooth forces | | Basic load ratings | | Static limiting load diagram | |
|-----------------|-----------------|---|-----|------|--------------------------|------------|--------------------|--------------|------------------------------|-------------|
| | $d_0^{1)}$ | m | z | k·m | $T_{fnormal}^{2)}$ | T_{fmax} | axial dynamic C | static C_0 | Raceway curves | Bolt curves |
| – | mm | – | mm | mm | kN | kN | kN | – | – | – |
| RKS.061.20.0414 | 495 | 5 | 99 | –0,5 | 12 | 46 | 209 | 1 010 | r1 | b1 |
| RKS.061.20.0544 | 630 | 6 | 105 | –0,6 | 16 | 54 | 233 | 1 350 | r2 | b2 |
| RKS.061.20.0644 | 732 | 6 | 122 | –0,6 | 16 | 54 | 248 | 1 580 | r3 | b3 |
| RKS.061.20.0744 | 828 | 6 | 138 | –0,6 | 16 | 54 | 262 | 1 840 | r4 | b4 |
| RKS.061.20.0844 | 936 | 8 | 117 | –0,8 | 21 | 72 | 276 | 2 100 | r5 | b5 |
| RKS.061.20.0944 | 1 032 | 8 | 129 | –0,8 | 21 | 72 | 286 | 2 340 | r6 | b6 |
| RKS.061.20.1094 | 1 184 | 8 | 148 | –0,8 | 21 | 72 | 303 | 2 710 | r7 | b7 |

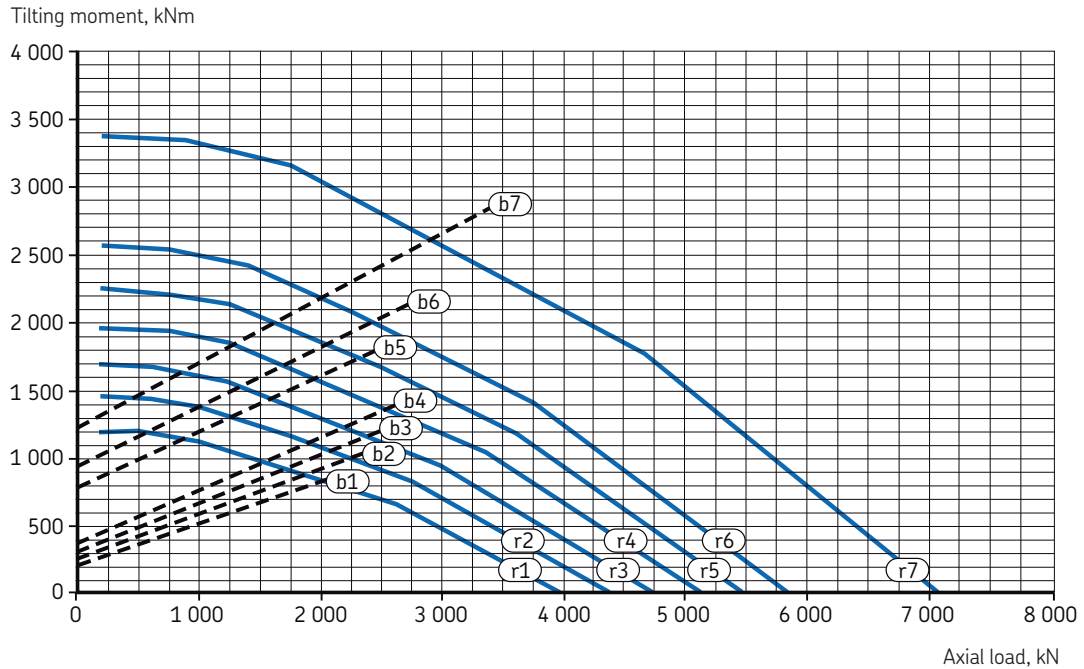
¹⁾ Gear pitch circle diameter
²⁾ Normalized gear teeth; calculated for 3 000 000 operating cycles

Medium size four-point contact ball slewing bearings with an external gear

 d_m 1 204 – 1 904 mm

| Dimensions | | | | | Attachment bolt holes Outer ring | | | Inner ring | | | Mass | Designation |
|--------------|---------|---------|-------|---------|-------------------------------------|-------|-------|------------|-------|-------|------|------------------------|
| d_m | D | D_1 | d | d_1 | J_e | K_e | N_e | J_i | K_i | N_i | | |
| mm | | | | | mm | | | mm | | | kg | - |
| 1 204 | 1 338 | 1 207,5 | 1 119 | 1 200,5 | 1 257 | 16 | 45 | 1 151 | 16 | 45 | 154 | RKS.061.25.1204 |
| 1 314 | 1 448 | 1 317,5 | 1 229 | 1 310,5 | 1 367 | 16 | 50 | 1 261 | 16 | 50 | 166 | RKS.061.25.1314 |
| 1 424 | 1 558 | 1 427,5 | 1 339 | 1 420,5 | 1 477 | 16 | 54 | 1 371 | 16 | 54 | 180 | RKS.061.25.1424 |
| 1 534 | 1 668 | 1 537,5 | 1 449 | 1 530,5 | 1 587 | 16 | 60 | 1 481 | 16 | 60 | 193 | RKS.061.25.1534 |
| 1 644 | 1 791 | 1 647,5 | 1 536 | 1 640,5 | 1 708 | 22 | 54 | 1 580 | 22 | 54 | 237 | RKS.061.25.1644 |
| 1 754 | 1 901 | 1 757,5 | 1 646 | 1 750,5 | 1 818 | 22 | 60 | 1 690 | 22 | 60 | 257 | RKS.061.25.1754 |
| 1 904 | 2 073,4 | 1 907,5 | 1 796 | 1 900,5 | 1 968 | 22 | 64 | 1 840 | 22 | 64 | 300 | RKS.061.30.1904 |

Relubrication can be done through 4 equally spaced grease fittings A M10x1 to DIN 71412 in the inner ring.

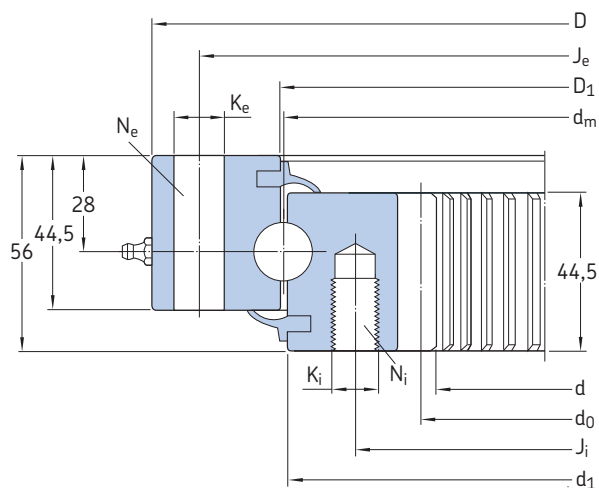


| Designation | Toothing Dimensions | | | | | Permissible tooth forces | | Basic load ratings | | Static limiting load diagram | |
|-----------------|---------------------|----|-----|------|------|--------------------------|------------|--------------------|--------------|------------------------------|-------------|
| | $d_0^{1)}$ | m | z | x·m | k·m | $T_{fnormal}^{2)}$ | T_{fmax} | axial dynamic C | static C_0 | Raceway curves | Bolt curves |
| – | mm | – | mm | – | – | kN | – | kN | – | – | – |
| RKS.061.25.1204 | 1 310 | 10 | 131 | +5 | –1 | 45 | 130 | 508 | 3 990 | r1 | b1 |
| RKS.061.25.1314 | 1 420 | 10 | 142 | +5 | –1 | 45 | 130 | 526 | 4 380 | r2 | b2 |
| RKS.061.25.1424 | 1 530 | 10 | 153 | +5 | –1 | 45 | 130 | 541 | 4 730 | r3 | b3 |
| RKS.061.25.1534 | 1 640 | 10 | 164 | +5 | –1 | 45 | 130 | 557 | 5 110 | r4 | b4 |
| RKS.061.25.1644 | 1 760 | 10 | 176 | +6,5 | –1 | 45 | 130 | 570 | 5 460 | r5 | b5 |
| RKS.061.25.1754 | 1 870 | 10 | 187 | +6,5 | –1 | 45 | 130 | 585 | 5 840 | r6 | b6 |
| RKS.061.30.1904 | 2 030 | 14 | 145 | +9,1 | –1,4 | 62 | 181 | 690 | 7 070 | r7 | b7 |

¹⁾ Gear pitch circle diameter
²⁾ Normalized gear teeth; calculated for 3 000 000 operating cycles

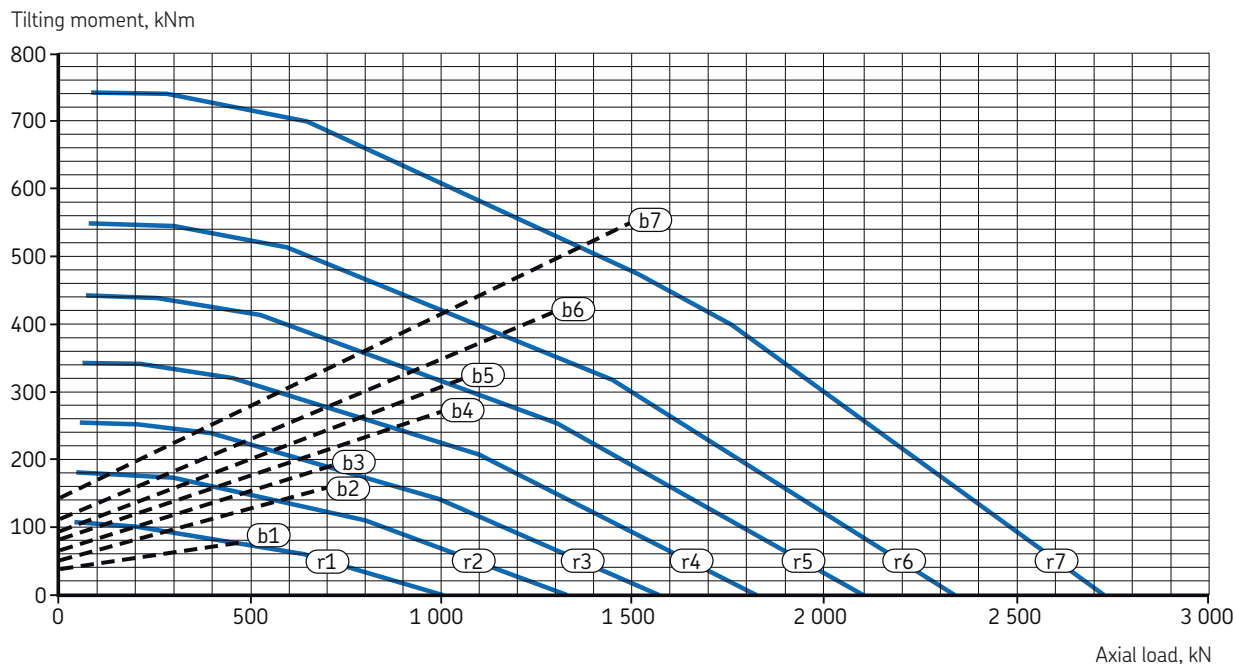
Medium size four-point contact ball slewing bearings with an internal gear

d_m 414 – 1 094 mm



| Dimensions | | | | | Attachment bolt holes | | | | | | Mass | Designation |
|--------------|-------|---------|-------|---------|-----------------------|-------|-------|------------|-------|-------|------|------------------------|
| d_m | D | D_1 | d | d_1 | Outer ring | | | Inner ring | | | | |
| | | | | | J_e | K_e | N_e | J_i | K_i | N_i | | |
| mm | | | | | mm | | - | mm | | - | kg | - |
| 414 | 486 | 415,5 | 326,5 | 412,5 | 460 | 13,5 | 24 | 375 | M 12 | 24 | 31,0 | RKS.062.20.0414 |
| 544 | 616 | 545,5 | 445,2 | 542,5 | 590 | 13,5 | 32 | 505 | M 12 | 32 | 42,0 | RKS.062.20.0544 |
| 644 | 716 | 645,5 | 547,2 | 642,5 | 690 | 13,5 | 36 | 605 | M 12 | 36 | 50,0 | RKS.062.20.0644 |
| 744 | 816 | 745,5 | 649,2 | 742,5 | 790 | 13,5 | 40 | 705 | M 12 | 40 | 58,0 | RKS.062.20.0744 |
| 844 | 916 | 845,5 | 737,6 | 842,5 | 890 | 13,5 | 40 | 805 | M 12 | 40 | 69,0 | RKS.062.20.0844 |
| 944 | 1016 | 945,5 | 841,6 | 942,5 | 990 | 13,5 | 44 | 905 | M 12 | 44 | 76,0 | RKS.062.20.0944 |
| 1 094 | 1 166 | 1 095,5 | 985,6 | 1 092,5 | 1 140 | 13,5 | 48 | 1 055 | M 12 | 48 | 91,0 | RKS.062.20.1094 |

Relubrication can be done through 4 equally spaced grease fittings A M10x1 to DIN 71412 in the outer ring.

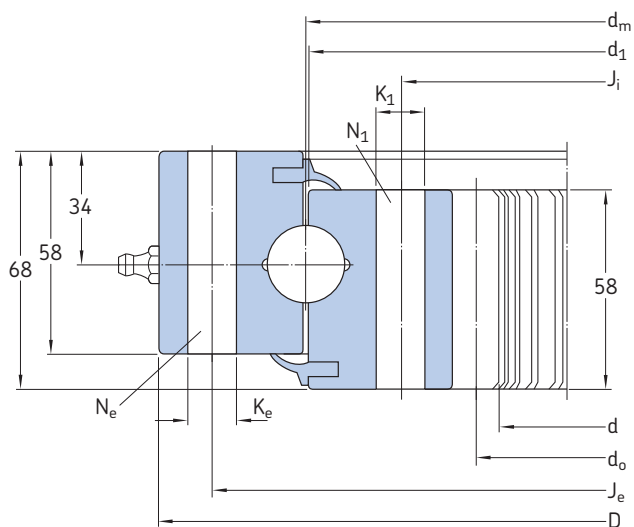


| Designation | Gear Dimensions | | | | Permissible tooth forces | | Basic load ratings | | Static limiting load diagram | |
|-----------------|-----------------|---|-----|-------|--------------------------|------------|--------------------|--------------|------------------------------|-------------|
| | $d_0^{1)}$ | m | z | k·m | $T_{fnormal}^{2)}$ | T_{fmax} | axial dynamic C | static C_0 | Raceway curves | Bolt curves |
| – | mm | – | mm | mm | kN | | kN | | – | |
| RKS.062.20.0414 | 335 | 5 | 67 | –0,75 | 12 | 49 | 209 | 1 010 | r1 | b1 |
| RKS.062.20.0544 | 456 | 6 | 76 | –0,6 | 16 | 65 | 233 | 1 350 | r2 | b2 |
| RKS.062.20.0644 | 558 | 6 | 93 | –0,6 | 16 | 65 | 248 | 1 580 | r3 | b3 |
| RKS.062.20.0744 | 660 | 6 | 110 | –0,6 | 16 | 65 | 262 | 1 840 | r4 | b4 |
| RKS.062.20.0844 | 752 | 8 | 94 | –0,8 | 21 | 87 | 276 | 2 100 | r5 | b5 |
| RKS.062.20.0944 | 856 | 8 | 107 | –0,8 | 21 | 87 | 286 | 2 340 | r6 | b6 |
| RKS.062.20.1094 | 1 000 | 8 | 125 | –0,8 | 21 | 87 | 303 | 2 710 | r7 | b7 |

¹⁾ Gear pitch circle diameter

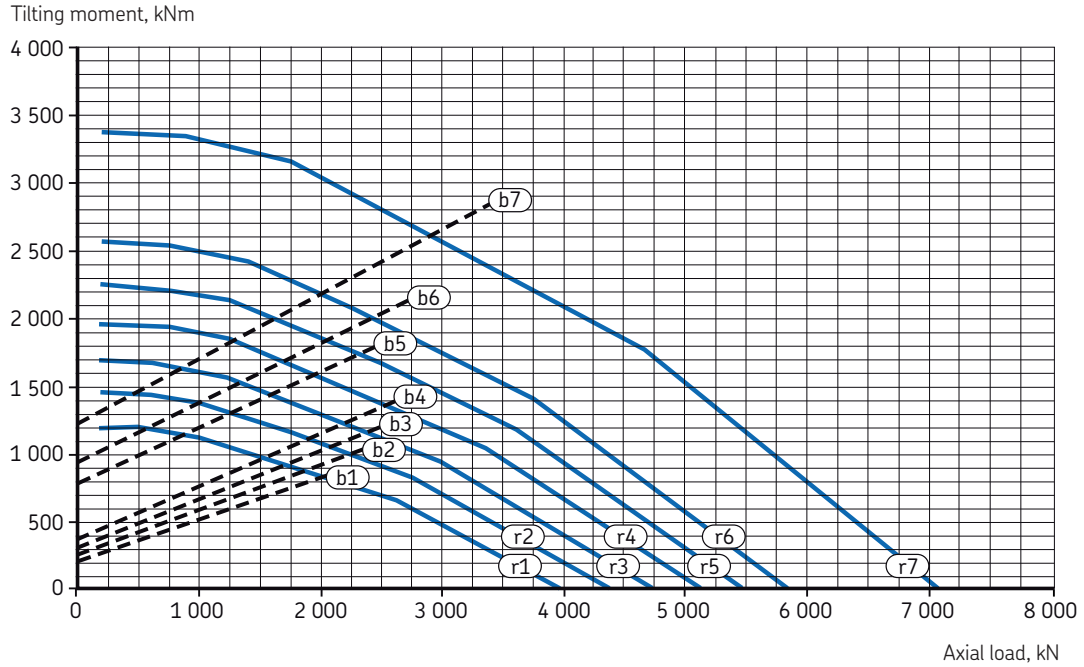
²⁾ Normalized gear teeth; calculated for 3 000 000 operating cycles

Medium size four-point contact ball slewing bearings with an internal gear

 d_m 1 204 – 1 904 mm

| Dimensions | | | | | Attachment bolt holes | | | Inner ring | | | Mass | Designation |
|--------------|-------|---------|-------|---------|-----------------------|-------|-------|------------|-------|-------|------|------------------------|
| d_m | D | D_1 | d | d_1 | J_e | K_e | N_e | J_i | K_i | N_i | kg | – |
| mm | | | | | mm | – | mm | – | kg | – | | |
| 1 204 | 1 289 | 1 207,5 | 1 072 | 1 200,5 | 1 257 | 16 | 45 | 1 151 | 16 | 45 | 145 | RKS.062.25.1204 |
| 1 314 | 1 399 | 1 317,5 | 1 182 | 1 310,5 | 1 367 | 16 | 50 | 1 261 | 16 | 50 | 160 | RKS.062.25.1314 |
| 1 424 | 1 509 | 1 427,5 | 1 292 | 1 420,5 | 1 477 | 16 | 54 | 1 371 | 16 | 54 | 172 | RKS.062.25.1424 |
| 1 534 | 1 619 | 1 537,5 | 1 402 | 1 530,5 | 1 587 | 16 | 60 | 1 481 | 16 | 60 | 185 | RKS.062.25.1534 |
| 1 644 | 1 752 | 1 647,5 | 1 495 | 1 640,5 | 1 708 | 22 | 54 | 1 580 | 22 | 54 | 235 | RKS.062.25.1644 |
| 1 754 | 1 862 | 1 757,5 | 1 605 | 1 750,5 | 1 818 | 22 | 60 | 1 690 | 22 | 60 | 252 | RKS.062.25.1754 |
| 1 904 | 2 012 | 1 907,5 | 1 729 | 1 900,5 | 1 968 | 22 | 64 | 1 840 | 22 | 64 | 300 | RKS.062.30.1904 |

Relubrication can be done through 4 equally spaced grease fittings A M10x1 to DIN 71412 in the outer ring.

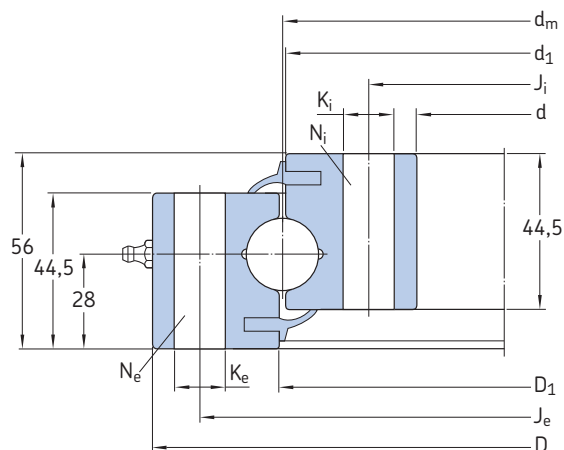


3

| Designation | Gear Dimensions | | | | | Permissible tooth forces | | Basic load ratings | | Static limiting load diagram | |
|-----------------|-----------------|----|-----|------|------|--------------------------|------------|--------------------|--------------|------------------------------|-------------|
| | $d_0^{1)}$ | m | z | x·m | k·m | $T_{fnormal}^{2)}$ | T_{fmax} | axial dynamic C | static C_0 | Raceway curves | Bolt curves |
| – | mm | – | mm | mm | mm | kN | kN | kN | kN | – | – |
| RKS.062.25.1204 | 1 080 | 10 | 108 | +5 | –1 | 48 | 169 | 508 | 3 990 | r1 | b1 |
| RKS.062.25.1314 | 1 190 | 10 | 119 | +5 | –1 | 48 | 169 | 526 | 4 380 | r2 | b2 |
| RKS.062.25.1424 | 1 300 | 10 | 130 | +5 | –1 | 48 | 169 | 541 | 4 730 | r3 | b3 |
| RKS.062.25.1534 | 1 410 | 10 | 141 | +5 | –1 | 48 | 169 | 557 | 5 110 | r4 | b4 |
| RKS.062.25.1644 | 1 500 | 10 | 150 | +6,5 | –1 | 48 | 169 | 570 | 5 460 | r5 | b5 |
| RKS.062.25.1754 | 1 610 | 10 | 161 | +6,5 | –1 | 48 | 169 | 585 | 5 840 | r6 | b6 |
| RKS.062.30.1904 | 1 736 | 14 | 124 | +9,1 | –1,4 | 69 | 230 | 690 | 7 070 | r7 | b7 |

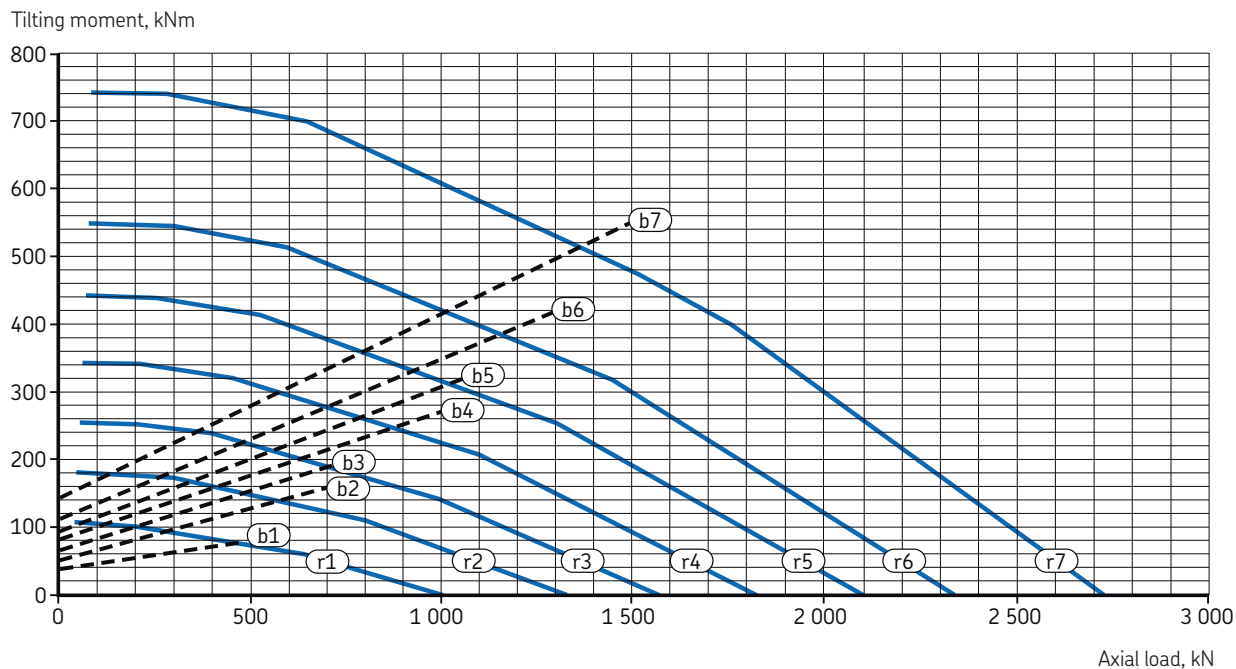
¹⁾ Gear pitch circle diameter
²⁾ Normalized gear teeth; calculated for 3 000 000 operating cycles

Medium size four-point contact ball slewing bearings without a gear

d_m 414 – 1 094 mm

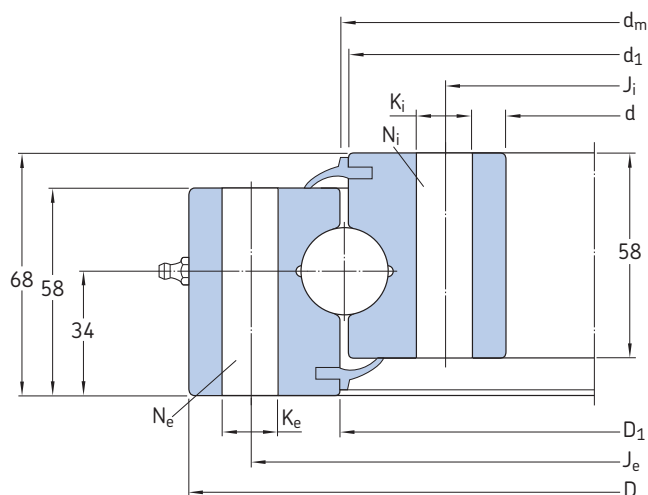
| Dimensions | | | | | Attachment bolt holes Outer ring | | | Inner ring | | | Mass | Designation |
|----------------|-------|----------------|-------|----------------|-------------------------------------|----------------|----------------|----------------|----------------|----------------|------|------------------------|
| d _m | D | D ₁ | d | d ₁ | J _e | K _e | N _e | J _i | K _i | N _i | | |
| mm | | | | | mm | – | | mm | – | | kg | – |
| 414 | 486 | 415,5 | 342 | 412,5 | 460 | 13,5 | 24 | 368 | 13,5 | 24 | 29,0 | RKS.060.20.0414 |
| 544 | 616 | 545,5 | 472 | 542,5 | 590 | 13,5 | 32 | 498 | 13,5 | 32 | 37,0 | RKS.060.20.0544 |
| 644 | 716 | 645,5 | 572 | 642,5 | 690 | 13,5 | 36 | 598 | 13,5 | 36 | 44,0 | RKS.060.20.0644 |
| 744 | 816 | 745,5 | 672 | 742,5 | 790 | 13,5 | 40 | 698 | 13,5 | 40 | 52,0 | RKS.060.20.0744 |
| 844 | 916 | 845,5 | 772 | 842,5 | 890 | 13,5 | 40 | 798 | 13,5 | 40 | 60,0 | RKS.060.20.0844 |
| 944 | 1016 | 945,5 | 872 | 942,5 | 990 | 13,5 | 44 | 898 | 13,5 | 44 | 67,0 | RKS.060.20.0944 |
| 1 094 | 1 166 | 1 095,5 | 1 022 | 1 092,5 | 1 140 | 13,5 | 48 | 1 048 | 13,5 | 48 | 77,0 | RKS.060.20.1094 |

Relubrication can be done through 4 equally spaced grease fittings A M10x1 to DIN 71412 in the outer ring.



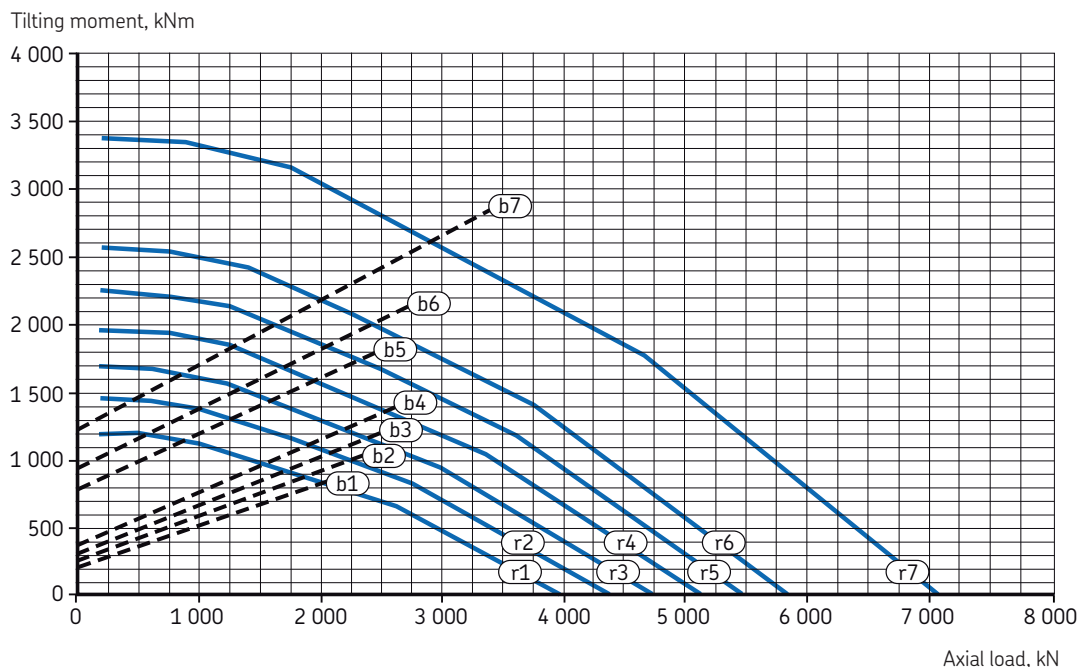
| Designation | Basic load ratings | | Static limiting load diagram | |
|-----------------|-----------------------|--------------------------|------------------------------|----------------|
| | axial dynamic C | static C ₀ | Raceway curves | Bolt curves |
| - | kN | | - | |
| RKS.060.20.0414 | 209 | 1 010 | r1 | b1 |
| RKS.060.20.0544 | 233 | 1 350 | r2 | b2 |
| RKS.060.20.0644 | 248 | 1 580 | r3 | b3 |
| RKS.060.20.0744 | 262 | 1 840 | r4 | b4 |
| RKS.060.20.0844 | 276 | 2 100 | r5 | b5 |
| RKS.060.20.0944 | 286 | 2 340 | r6 | b6 |
| RKS.060.20.1094 | 303 | 2 710 | r7 | b7 |

Medium size four-point contact ball slewing bearings without a gear

 d_m 1 204 – 1 904 mm

| Dimensions | | | | | Attachment bolt holes | | | | | | Mass | Designation |
|--------------|-------|---------|-------|---------|-----------------------|-------|-------|------------|-------|-------|------|------------------------|
| d_m | D | D_1 | d | d_1 | Outer ring | | | Inner ring | | | | |
| | | | | | J_e | K_e | N_e | J_i | K_i | N_i | | |
| mm | | | | | mm | | – | mm | | – | kg | – |
| 1 204 | 1 289 | 1 207,5 | 1 119 | 1 200,5 | 1 257 | 16 | 45 | 1 151 | 16 | 45 | 120 | RKS.060.25.1204 |
| 1 314 | 1 399 | 1 317,5 | 1 229 | 1 310,5 | 1 367 | 16 | 50 | 1 261 | 16 | 50 | 132 | RKS.060.25.1314 |
| 1 424 | 1 509 | 1 427,5 | 1 339 | 1 420,5 | 1 477 | 16 | 54 | 1 371 | 16 | 54 | 155 | RKS.060.25.1424 |
| 1 534 | 1 619 | 1 537,5 | 1 449 | 1 530,5 | 1 587 | 16 | 60 | 1 481 | 16 | 60 | 155 | RKS.060.25.1534 |
| 1 644 | 1 752 | 1 647,5 | 1 536 | 1 640,5 | 1 708 | 22 | 54 | 1 580 | 22 | 54 | 210 | RKS.060.25.1644 |
| 1 754 | 1 862 | 1 757,5 | 1 646 | 1 750,5 | 1 818 | 22 | 60 | 1 690 | 22 | 60 | 222 | RKS.060.25.1754 |
| 1 904 | 2 012 | 1 907,5 | 1 796 | 1 900,5 | 1 968 | 22 | 64 | 1 840 | 22 | 64 | 240 | RKS.060.30.1904 |

Relubrication can be done through 4 equally spaced grease fittings A M10x1 to DIN 71412 in the outer ring.

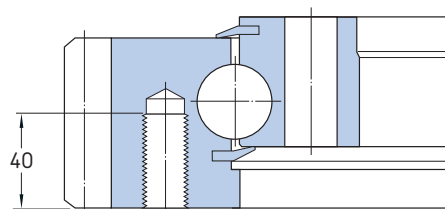
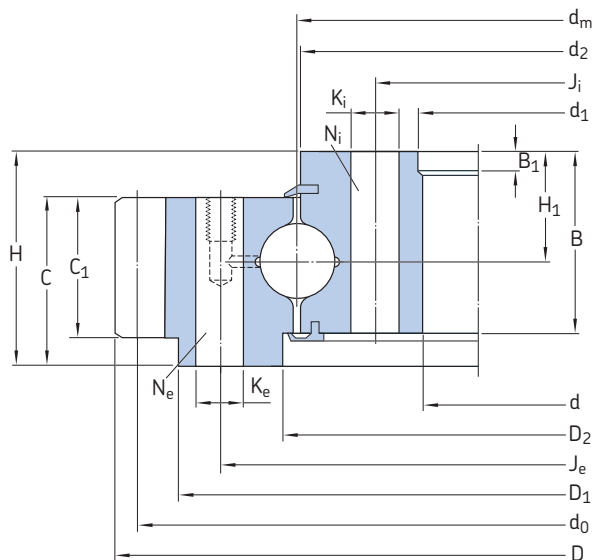


3

| Designation | Basic load ratings | | Static limiting load diagram | |
|-----------------|-----------------------|--------------------------|------------------------------|----------------|
| | axial dynamic C | static C ₀ | Raceway curves | Bolt curves |
| – | kN | | – | |
| RKS.060.25.1204 | 508 | 3 990 | r1 | b1 |
| RKS.060.25.1314 | 526 | 4 380 | r2 | b2 |
| RKS.060.25.1434 | 541 | 4 730 | r3 | b3 |
| RKS.060.25.1524 | 557 | 5 110 | r4 | b4 |
| RKS.060.25.1644 | 570 | 5 460 | r5 | b5 |
| RKS.060.25.1754 | 585 | 5 840 | r6 | b6 |
| RKS.060.30.1904 | 690 | 7 070 | r7 | b7 |

Customized four-point contact ball slewing bearings with an external gear

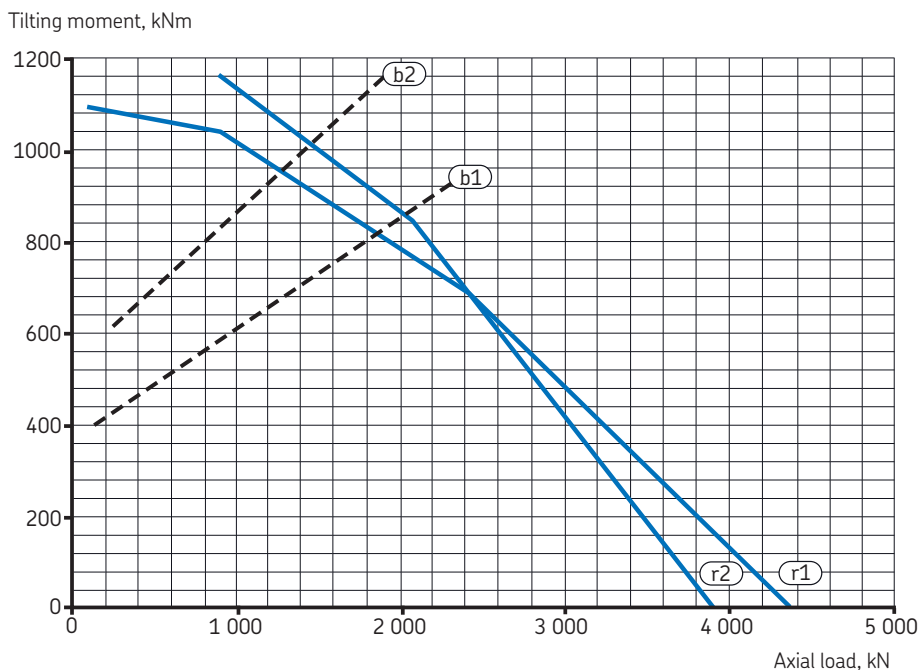
d_m 980 – 1 258 mm



Design 1

Design 2

| Dimensions | | Outer ring | | | | | | | Inner ring | | | | Mass | Designation | | |
|-----------------|-------|------------|-----|----|-------|-------|-------|-------|------------|---------|-------|-------|------|-------------------------|--|--|
| Slewing bearing | | d_m | D | d | H | H_1 | D_1 | D_2 | C | C_1 | d_1 | d_2 | B | B_1 | | |
| mm | | mm | | | | | | | mm | | | | kg | - | | |
| 980 | 1 144 | 868 | 100 | 51 | 1 088 | 993 | 79 | 66 | 870 | 976,5 | 85 | 10 | 220 | RKS.204040101001 | | |
| 1 258 | 1 398 | 1 155 | 80 | 32 | - | 1 255 | 71 | - | 1 157 | 1 254,5 | 54 | 15 | 205 | RKS.302070202001 | | |



3

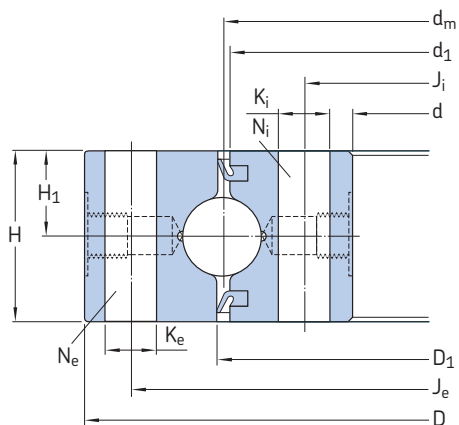
| Designation | De- sign | Attachment bolt holes | | | | | Gear Dimensions | | | | | Permissible tooth forces | | Basic load ratings | | Static limiting load diagram | | |
|------------------|-------------|-----------------------|-------|-------|------------|-------|-----------------|-------|-----|-------------|-------------|--------------------------|------------------|----------------------|-----------------|------------------------------|-------------|----|
| | | Outer ring | | | Inner ring | | $d_0^{1)}$ | m | z | $x \cdot m$ | $k \cdot m$ | $T_{\text{normal}}^{2)}$ | T_{max} | axial dynamic C | static C_0 | Raceway curves | Bolt curves | |
| - | - | J_e | K_e | N_e | J_i | K_i | N_i | mm | - | mm | mm | mm | kN | kN | kN | kN | - | - |
| RKS.204040101001 | 1 | 1 050 | 22 | 36 | 910 | 22 | 29 | 1 110 | 10 | 111 | 8 | 1 | 65 | 132 | 588 | 4 470 | r1 | b1 |
| RKS.302070202001 | 2 | 1 316 | M 20 | 42 | 1 195 | 22 | 42 | 1 380 | 10 | 138 | 0 | 1 | 73 | 145 | 449 | 3 960 | r2 | b2 |

¹⁾ Gear pitch circle diameter

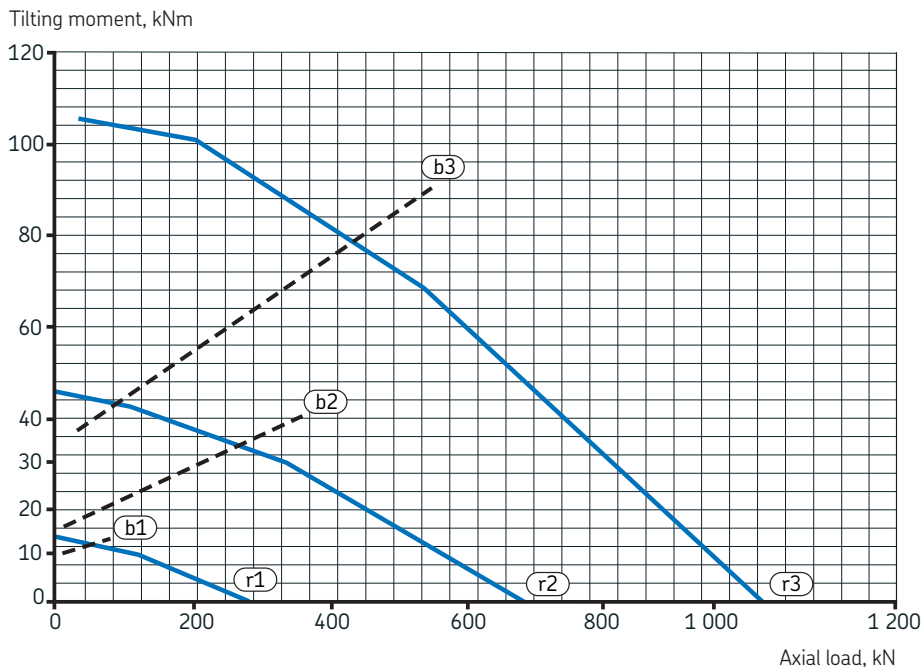
²⁾ Normalized gear teeth; calculated for 3 000 000 operating cycles

Customized four-point contact ball slewing bearings without a gear

d_m 179 – 402 mm



| Dimensions Slewing bearing | | | | | | | Attachment bolt holes | | | | | | Mass | Designation |
|-------------------------------|-----|-------|-----|-------|----|-------|-----------------------|-------|-------|------------|-------|-------|------|-------------------------|
| d_m | D | D_1 | d | d_1 | H | H_1 | Outer ring | | | Inner ring | | | | |
| | | | | | | | J_e | K_e | N_e | J_i | K_i | N_i | | |
| mm | | | | | | | mm | | - | mm | | - | kg | - |
| 179 | 234 | 180 | 125 | 178 | 25 | 12,5 | 214 | 11 | 24 | 144,5 | 11 | 19 | 6,00 | RKS.900155101001 |
| 257 | 332 | 258 | 189 | 256 | 45 | 22,5 | 305 | 14 | 16 | 215 | 14 | 16 | 17,0 | RKS.951145101001 |
| 402 | 475 | 404 | 335 | 400 | 45 | 22,5 | 450 | 14 | 24 | 360 | 14 | 24 | 27,0 | RKS.901175101001 |



3

| Designation | Basic load ratings | | Static limiting load diagram | |
|------------------|--------------------|-----------------------|------------------------------|-------------|
| | axial dynamic C | static C ₀ | Raceway curves | Bolt curves |
| - | kN | | - | |
| RKS.900155101001 | 80 | 280 | r1 | b1 |
| RKS.951145101001 | 239 | 675 | r2 | b2 |
| RKS.901175101001 | 219 | 1 030 | r3 | b3 |



Single row crossed cylindrical roller slewing bearings

86 Product data – general

86 General

86 Designs

87 Medium size single row crossed cylindrical roller slewing bearings

88 Customized single row crossed cylindrical roller slewing bearings

89 Bearing data – general

89 Dimensions

89 Tolerances

89 Axial clearance, preload

89 Material

90 Corrosion protection

90 Gears

90 Seals

90 Lubrication

91 Designation system

92 Product tables

Medium size crossed cylindrical roller slewing bearings

92 with an external gear

96 with an internal gear

100 without a gear

Customized crossed cylindrical roller slewing bearings

104 with an external gear

110 with an internal gear

114 without a gear

Product data – general

General

Single row crossed cylindrical roller slewing bearings are simple in design, consisting of a one-piece inner and outer ring and cylindrical rollers separated by polyamide spacers and generally protected by integral seals. They can accommodate heavy radial loads and medium axial loads as well as tilting moments. These SKF slewing bearings are intended for bearing arrangements where stiffness is important or zero operational clearance or preload as well as constant resistance to rotation are required.

Single row crossed cylindrical roller slewing bearings require tighter specifications for the flatness and stiffness of the support surface than single row four-point contact ball slewing bearings.

Due to the wide range of applications for single row crossed cylindrical roller slewing bearings, SKF manufactures them in many executions and sizes that are available from stock or within short lead times. The actual SKF manufacturing range of customized bearings is more extensive than what appears in the product tables. SKF manufactures a variety of customized single row crossed cylindrical roller slewing bearings to meet the demands of particular applications. Customized executions can include special ring materials and unique bolt patterns. Load carrying ability, speed capability, and/or running accuracy can also be customized.

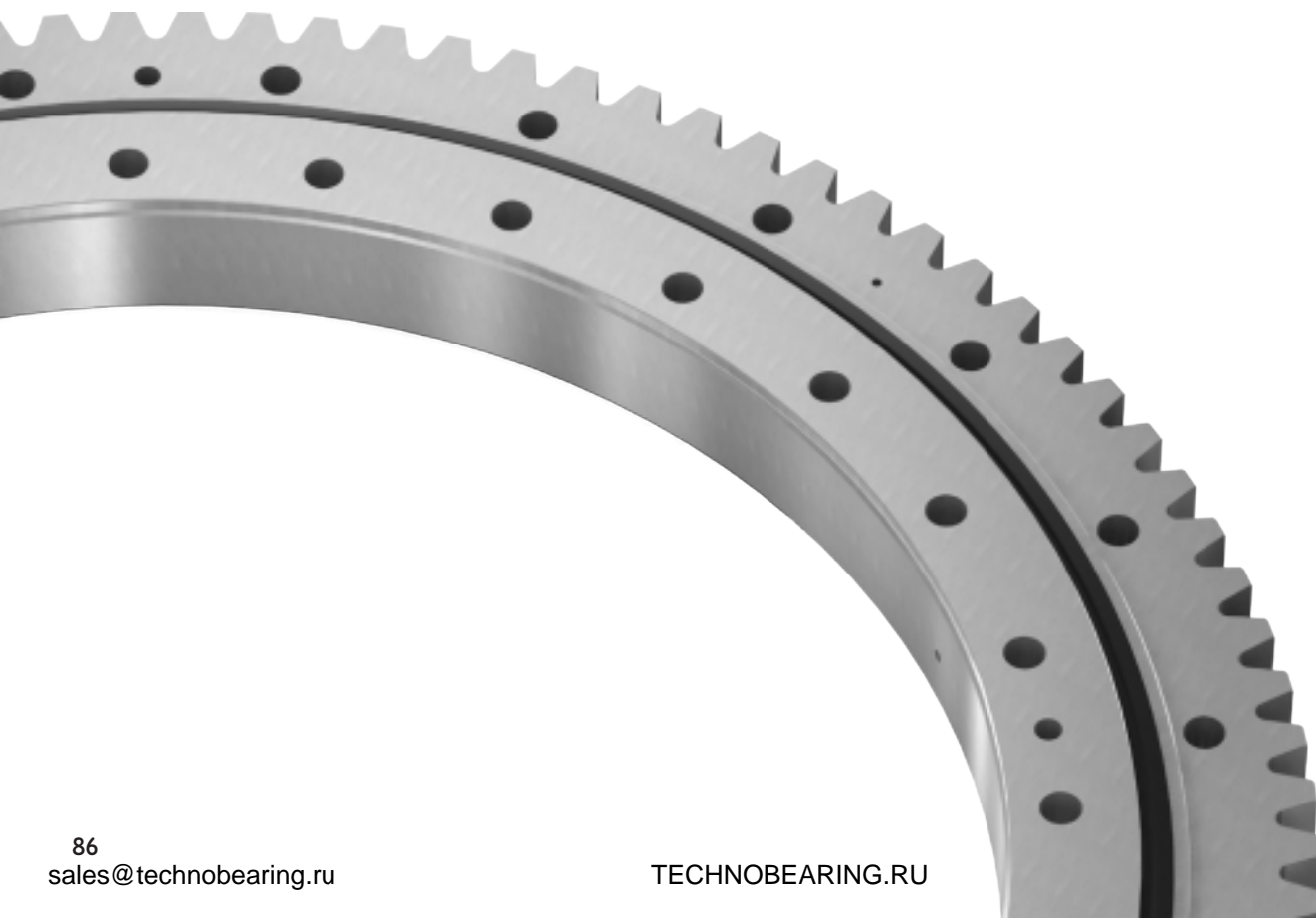
A customized slewing bearing that meets your specific requirements might already exist. Therefore, SKF recommends contacting the application engineering service very early in the design stage so that SKF engineers, with their in-depth product and application knowledge, can help you find the most suitable bearing arrangement for your application.

Designs

Single row crossed cylindrical roller slewing bearings consist of a one-piece inner and outer ring and a set of cylindrical rollers and spacers, protected by integral seals. The cylindrical rollers are inserted into the bearing via a hole in one of the two rings and are separated by polyamide spacers. The axis of rotation of adjacent rollers are at 90° to each other. After loading the roller set and spacers, the hole is closed with a plug that conforms to the raceway contour.

The SKF range of single row crossed cylindrical roller slewing bearings is divided into:

- medium size single row crossed cylindrical roller slewing bearings
- customized single row crossed cylindrical roller slewing bearings



Medium size single row crossed cylindrical roller slewing bearings

SKF medium size single row crossed cylindrical roller slewing bearings are compact, with strong, full-size rings. Depending on the size, they are available with two different fixed cross-sections within each of the three series. To simplify installation, the inner and outer rings have a standardized number of equally spaced holes for attachment bolts.

The standard SKF single row medium size crossed roller slewing bearings (→ **fig. 1**) listed in the product tables include bearings with a mean raceway diameter ranging from 414 to 1 904 mm and are available with any of the following gear configurations:

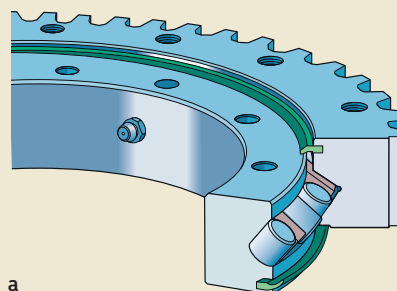
- with an external gear (**a**), RKS. 161 series designation
- with an internal gear (**b**), RKS. 162 series designation
- without a gear (**c**), RKS. 160 series designation

These slewing bearings are available from stock or within short lead times. For up-to-date information about availability, contact the SKF application engineering service.

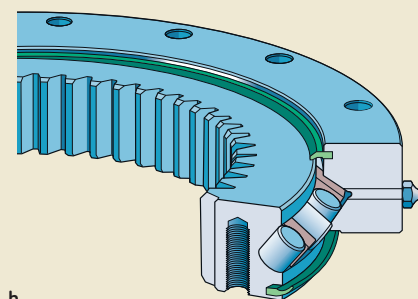
SKF medium size crossed cylindrical roller slewing bearings feature a unique and cost-effective combination of load carrying ability, stiffness, and speed capability. These features open a wide application field for medium size crossed cylindrical roller slewing bearings. Typical applications include, but are not limited to, earth moving, construction and material handling equipment as well as robotics.

Medium size crossed cylindrical roller slewing bearings can be operated continuously at circumferential speeds of up to 1.5 m/s and up to 2 m/s for brief periods.

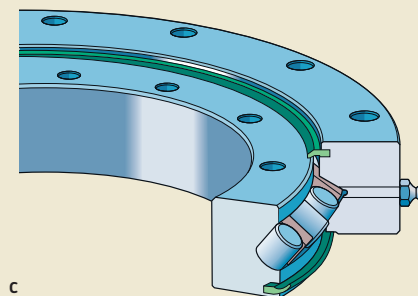
Fig. 1



a

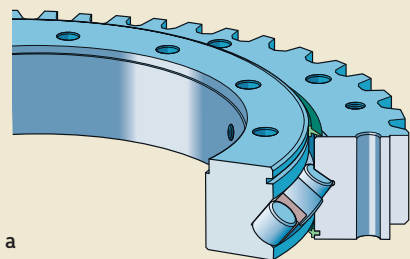


b

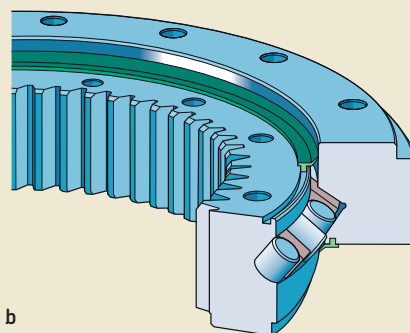


c

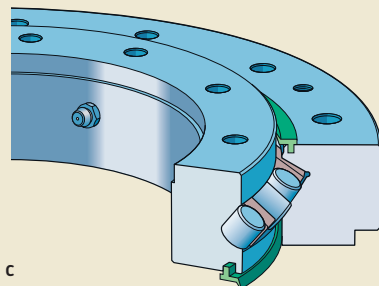
Fig. 2



a



b



c

Customized single row crossed cylindrical roller slewing bearings

SKF manufactures single row crossed cylindrical roller slewing bearings in a variety of executions and sizes to meet the needs of particular applications.

The customized SKF single row crossed cylindrical roller slewing bearings (→ **fig. 2**) listed in the product tables include bearings with a mean raceway diameter ranging from 310 to 2 200 mm and are available with any of the following gear configurations or options:

- with an external gear (**a**)
- with an internal gear (**b**)
- without a gear (**c**)
- with (**c**) or without centring recesses

These customized bearings represent only a few designs and sizes, which are manufactured on a regular basis or within short lead times. Before incorporating a customized bearing in an application design, contact the SKF application engineering service for availability.

Depending on design, size and accuracy, customized single row crossed cylindrical roller slewing bearings can be operated at circumferential speeds of up to 1,5 m/s and up to 2 m/s for brief periods. For applications that will operate at higher speeds than those listed in the tables, contact the SKF application engineering service.

Bearing data – general

Dimensions

The boundary dimensions of single row crossed cylindrical roller slewing bearings are dictated by practical application requirements and do not comply with any international or national standard. Medium size bearings up to and including 1 094 mm mean raceway diameter are dimensionally interchangeable with competitors' products.

Tolerances

The dimensional and running accuracy of SKF single row crossed cylindrical roller slewing bearings are listed in:

- **table 1:** Diameter tolerances (→ fig. 3)
- **table 2:** Tolerances of tip circle and attachment bolt hole diameters (→ fig. 3)
- **table 3:** Running accuracy

The tolerance for the total height H is ±1 mm for all single row crossed cylindrical roller slewing bearings.

Axial clearance, preload

Crossed cylindrical roller slewing bearings are manufactured with zero clearance or preload.

Material

The rings of medium size crossed cylindrical roller slewing bearings up to a mean raceway diameter of 1 094 mm are made as standard of C 45 E tempered steel, in accordance with EN 10083-2:2006. Crossed cylindrical roller slewing bearings with a mean raceway diameter larger than 1 094 mm are made of 42CrMo4 bearing steel for induction hardening, in accordance with EN 10083-3:2006.

The rings of customized crossed cylindrical roller slewing bearings listed in the product tables starting on **page 102** are produced either from

- a modified heat-treatable 42 C 2 steel, in accordance with NFA 35-557:1983, or 46Cr2 steel, in accordance to EN 10083-3-2006
- a 42CrMo4 bearing steel for induction hardening, in accordance with EN10083-3:2006

Inner and outer ring raceways are surface induction-hardened while leaving the remainder of the rings, including the gears, unaffected by the hardening process.

Table 1

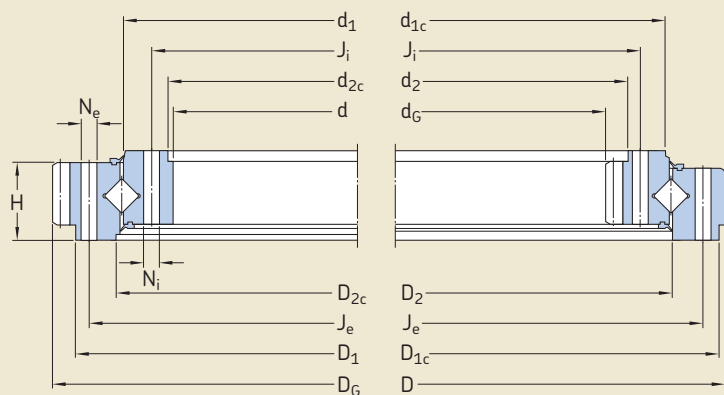
| Nominal diameter | | Diameter tolerances | | Centring diameters ¹⁾ | | Bolt hole pitch circle diameters (J _i , J _e) |
|------------------|-------|--|--|---|--|---|
| over | incl. | Ungearred inner and/or outer diameter (d, D) | | Inside (d _{2c} , D _{2c}) | Outside (d _{1c} , D _{1c}) | |
| mm | | mm | | | | |
| 0 | 500 | ±1 | | 0/+0,2 | 0/-0,2 | ±0,5 |
| 500 | 1 000 | ±1 | | 0/+0,3 | 0/-0,3 | ±0,5 |
| 1 000 | 1 500 | ±1 | | 0/+0,35 | 0/-0,35 | ±0,6 |
| 1 500 | 2 000 | ±1 | | 0/+0,4 | 0/-0,4 | ±0,8 |
| 2 000 | 2 500 | ±1 | | 0/+0,4 | 0/-0,4 | ±1 |

¹⁾ Applies only to customized bearings

Table 2

| Tolerances of tip circle and attachment bolt hole diameters | | | | |
|---|------------|---------------|---|------------------|
| Tip circle diameters D _G and d _G | Tolerances | | Bolt hole diameters K _e and K _i | |
| | Module m | External gear | Internal gear | Nominal diameter |
| mm | | | | |
| 5 | 0/-0,25 | 0/+0,25 | 11 | ±0,3 |
| 6 | 0/-0,3 | 0/+0,3 | 14 | ±0,3 |
| 8 | 0/-0,4 | 0/+0,4 | 16 | ±0,4 |
| 10 | 0/-0,5 | 0/+0,5 | 18 | ±0,4 |
| 14 | 0/-0,7 | 0/+0,7 | 22 | ±0,4 |
| 16 | 0/-0,8 | 0/+0,8 | | |

Fig. 3



The cylindrical rollers are made of 100Cr6 bearing steel for through-hardening, in accordance with EN ISO 683-17:2000.

Corrosion protection

Single row crossed cylindrical roller slewing bearings are protected, as standard, by a solvent free rust inhibitor.

Gears

The gear teeth are manufactured to an SKF specification that closely follows accuracy grade 12 in accordance with ISO 1328-2:1997 and are not hardened. Guideline values for the permissible tooth forces can be obtained from the product tables.

The gear of a new bearing is coated with a preservative. After mounting has been completed, lubricant needs to be applied to the gear. This lubricant should have good adhesive properties and high resistance to water washout. Additionally, the lubricant has to withstand at least temperatures of +100 °C and has to have a base oil viscosity of 500 mm²/s at +40 °C or higher.

Seals

The integral seals are made of profiled strips of non-reinforced acrylonitrile-butadiene rubber (NBR). They seal axially against the side face of the inner or outer ring (→ fig. 4a) or radially against the cylindrical surface of the inner or outer ring (→ fig. 4b). This material has very good engineering properties and shows good resistance to most mineral oils and greases. The permissible operating temperatures of the seal material range from -40 to +110 °C.

Lubrication

Standard SKF single row crossed cylindrical roller slewing bearings are filled with a mineral oil based grease with a consistency of 2 on the NLGI scale using a lithium soap thickener and containing extreme pressure additives. The base oil viscosity is 200 mm²/s at 40 °C and 16 mm²/s at 100 °C. This grease has good rust inhibiting properties and a temperature range of -20 up to +110 °C. Reliable lubrication according to the SKF traffic light concept occurs when operating temperatures range from +30 to +110°C.

Table 3

| Nominal mean raceway diameter d _m | | Running accuracy | | | |
|--|-------|---------------------------------|--------------------------------|---------------------------------|--------------------------------|
| over | incl. | Medium size bearings | | Customized bearings | |
| | | Radial runout ¹⁾ max | Axial runout ²⁾ max | Radial runout ¹⁾ max | Axial runout ²⁾ max |
| mm | | mm | | | |
| 0 | 500 | 0,2 | 0,3 | 0,2 | 0,2 |
| 500 | 1 000 | 0,3 | 0,4 | 0,3 | 0,2 |
| 1 000 | 1 500 | 0,35 | 0,5 | 0,35 | 0,2 |
| 1 000 | 2 000 | 0,45 | 0,6 | 0,4 | 0,25 |
| 1 500 | 2 500 | 0,5 | 0,7 | 0,45 | 0,25 |

¹⁾ Radial runout of the centring of inner or outer ring of assembled bearing
²⁾ Axial runout of the mating surface of inner or outer ring of assembled bearing

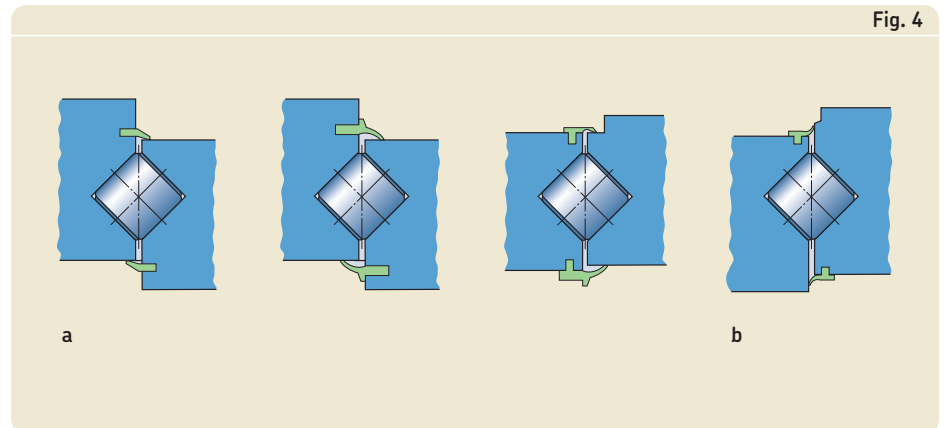


Fig. 4

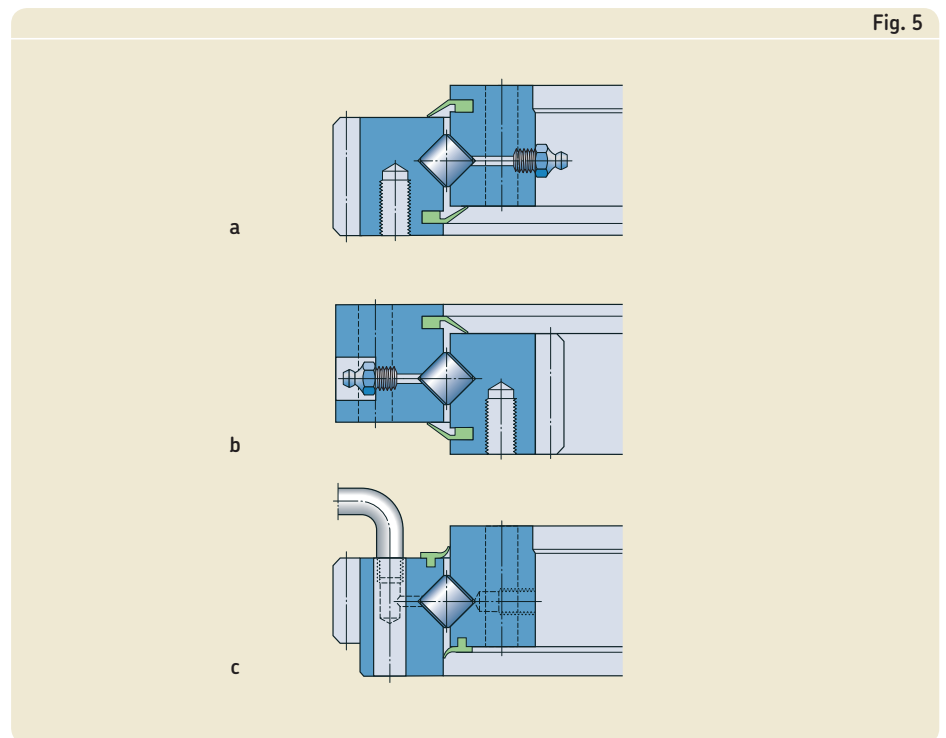


Fig. 5

Medium size single row crossed cylindrical roller slewing bearings can be relubricated through four equally spaced grease fittings A M 10x1 to DIN 71412:1987:

- in the inner ring of bearings with an external gear (→ fig. 5a)
- in the outer ring of bearings with an internal gear (→ fig. 5b)
- in the outer ring of bearings without a gear

Relubrication features of customized slewing bearings (→ fig. 5c) depend on the needs of the application. For additional information, contact the SKF application engineering service.

Guidelines to determine relubrication intervals for slewing bearings in vertical arrangements under normal and clean conditions are provided in the chapter "Lubrication", starting on page 26.

Designation system

The designation system for SKF medium size crossed roller slewing bearings consists only of a few figures, the significance of which is described in table 5.

The designation system for SKF customized slewing bearings consists of several figures and is described briefly in table 6 "Designation system of customized slewing bearings" on page 59.

Table 5

Designation system of medium size crossed cylindrical roller slewing bearings

Examples: RKS.162.14.0414
RKS.160.20.1904

| | | | | |
|------|----|----|-----|------|
| RKS. | 16 | 2. | 14. | 0414 |
| RKS. | 16 | 0. | 20. | 1904 |

Bearing identification

RKS SKF slewing bearing

Series identification

16 Medium size crossed cylindrical roller slewing bearing

Identification of gear position

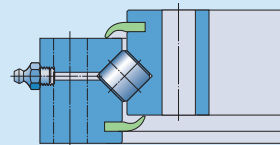
- 0 Without a gear
- 1 With an external gear
- 2 With an internal gear

Roller size identification

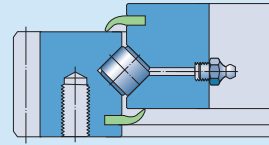
- 14 14 mm roller diameter
- 16 16 mm roller diameter
- 20 20 mm roller diameter

Identification of bearing size

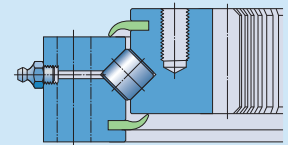
- 0414 414 mm mean raceway diameter to
- 1904 1 904 mm mean raceway diameter



160 series
without a gear



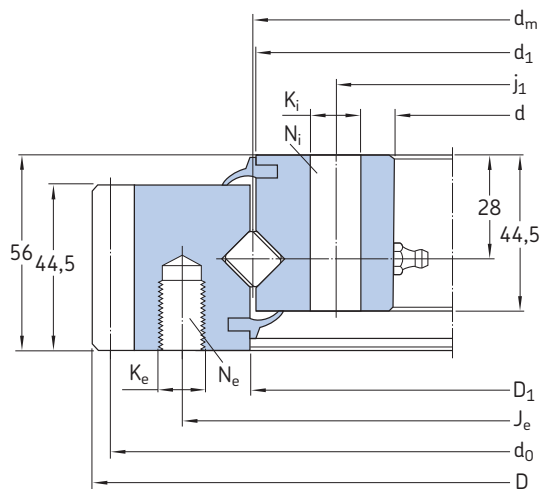
161 series
with an external gear



162 series
with an internal gear

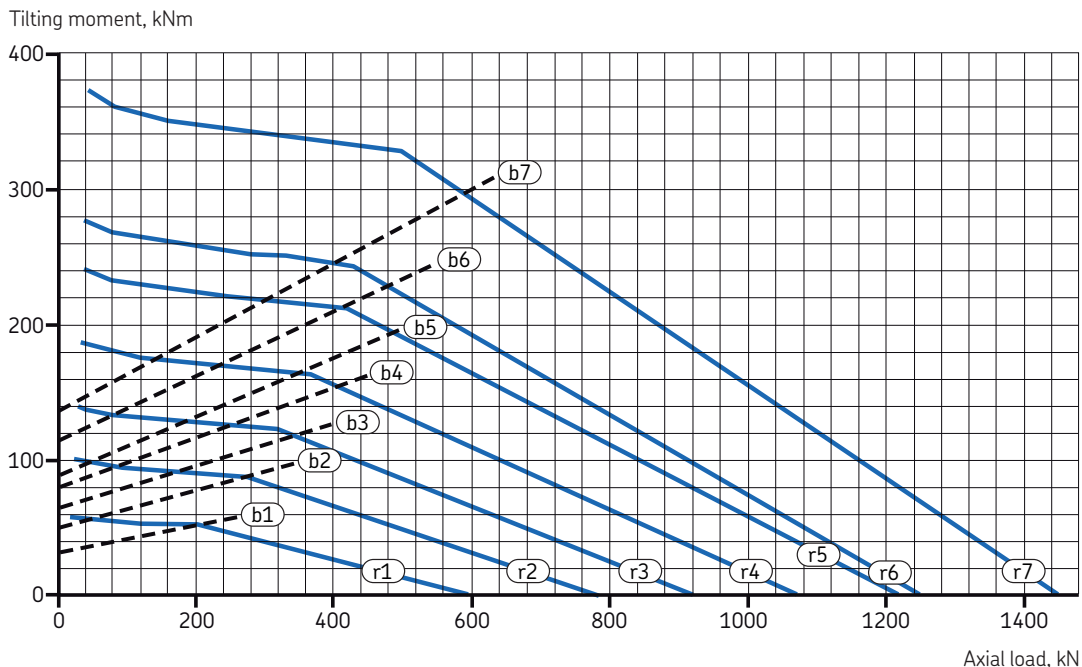
Medium size crossed cylindrical roller slewing bearings with an external gear

d_m 414 – 1 094 mm



| Dimensions | | | | | Attachment bolt holes | | | | | | Mass | Designation |
|--------------|---------|-------|-------|-------|-----------------------|-------|-------|------------|-------|-------|------|------------------------|
| d_m | D | D_1 | d | d_1 | Outer ring | | | Inner ring | | | | |
| | | | | | J_e | K_e | N_e | J_i | K_i | N_i | | |
| mm | | | | | mm | | – | mm | | – | kg | – |
| 414 | 504 | 416 | 344 | 412 | 455 | M12 | 20 | 368 | 14 | 24 | 32,0 | RKS.161.14.0414 |
| 544 | 640,8 | 546 | 474 | 542 | 585 | M12 | 28 | 498 | 14 | 32 | 44,0 | RKS.161.14.0544 |
| 644 | 742,8 | 646 | 574 | 642 | 685 | M12 | 32 | 598 | 14 | 36 | 52,0 | RKS.161.14.0644 |
| 744 | 838,8 | 746 | 674 | 742 | 785 | M12 | 36 | 698 | 14 | 40 | 59,0 | RKS.161.14.0744 |
| 844 | 950,4 | 846 | 774 | 842 | 885 | M12 | 36 | 798 | 14 | 40 | 71,0 | RKS.161.14.0844 |
| 944 | 1 046,4 | 946 | 874 | 942 | 985 | M12 | 40 | 898 | 14 | 44 | 77,0 | RKS.161.14.0944 |
| 1 094 | 1 198,4 | 1 096 | 1 024 | 1 092 | 1 135 | M12 | 44 | 1 048 | 14 | 48 | 91,0 | RKS.161.14.1094 |

Relubrication can be done through 4 equally spaced grease fittings A M10x1 to DIN 71412 in the inner ring.

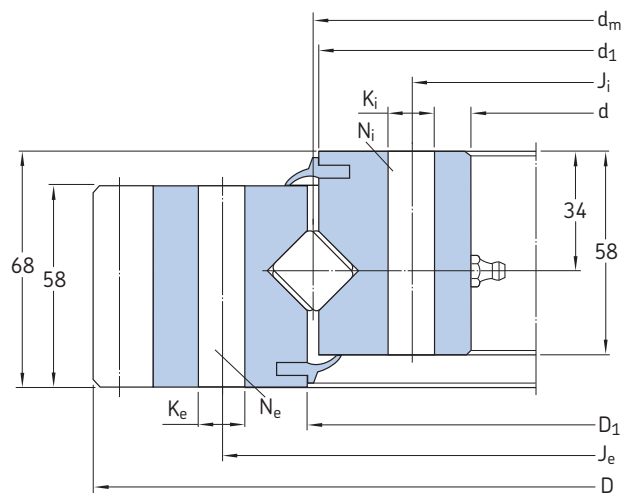


| Designation | Gear Dimensions | | | | Permissible axial tooth forces | | Basic load ratings | | Static limiting load diagram | |
|-----------------|-----------------|---|-----|------|--------------------------------|------------------|--------------------|--------------|------------------------------|-------------|
| | $d_0^{1)}$ | m | z | k·m | $T_{\text{normal}}^{2)}$ | T_{max} | dynamic C | static C_0 | Raceway curves | Bolt curves |
| – | mm | – | mm | mm | kN | kN | kN | kN | – | – |
| RKS.161.14.0414 | 495 | 5 | 99 | –0,5 | 12 | 46 | 167 | 595 | r1 | b1 |
| RKS.161.14.0544 | 630 | 6 | 105 | –0,6 | 16 | 54 | 194 | 784 | r2 | b2 |
| RKS.161.14.0644 | 732 | 6 | 122 | –0,6 | 16 | 54 | 210 | 919 | r3 | b3 |
| RKS.161.14.0744 | 828 | 6 | 138 | –0,6 | 16 | 54 | 228 | 1 070 | r4 | b4 |
| RKS.161.14.0844 | 936 | 8 | 117 | –0,8 | 21 | 72 | 244 | 1 220 | r5 | b5 |
| RKS.161.14.0944 | 1 032 | 8 | 129 | –0,8 | 21 | 72 | 258 | 1 250 | r6 | b6 |
| RKS.161.14.1094 | 1 184 | 8 | 148 | –0,8 | 21 | 72 | 279 | 1 450 | r7 | b7 |

¹⁾ Gear pitch circle diameter

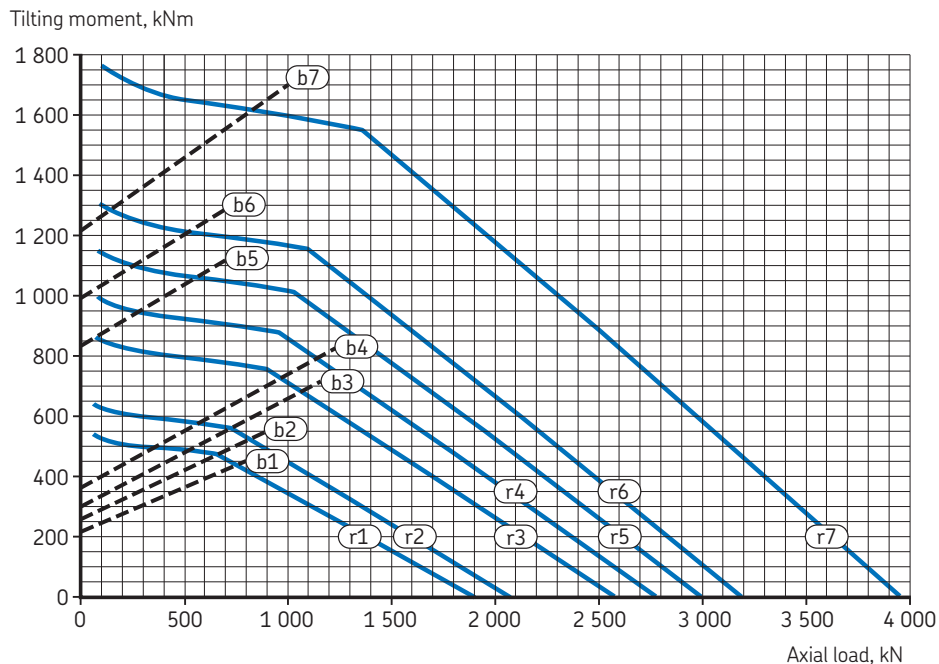
²⁾ Normalized gear teeth; calculated for 3 000 000 operating cycles

Medium size crossed cylindrical roller slewing bearings with an external gear

 d_m 1 204 – 1 904 mm

| Dimensions | | | | | Attachment bolt holes | | | | | | Mass | Designation |
|--------------|---------|-------|-------|-------|-----------------------|-------|-------|------------|-------|-------|------|------------------------|
| d_m | D | D_1 | d | d_1 | Outer ring | | | Inner ring | | | | |
| | | | | | J_e | K_e | N_e | J_i | K_i | N_i | | |
| mm | | | | | mm | | – | mm | | – | kg | – |
| 1 204 | 1 338 | 1 206 | 1 119 | 1 202 | 1 257 | 16 | 45 | 1 151 | 16 | 45 | 155 | RKS.161.16.1204 |
| 1 314 | 1 448 | 1 317 | 1 229 | 1 312 | 1 367 | 16 | 50 | 1 261 | 16 | 50 | 168 | RKS.161.16.1314 |
| 1 424 | 1 558 | 1 427 | 1 339 | 1 422 | 1 477 | 16 | 54 | 1 371 | 16 | 54 | 182 | RKS.161.16.1424 |
| 1 534 | 1 668 | 1 537 | 1 449 | 1 532 | 1 587 | 16 | 60 | 1 481 | 16 | 60 | 195 | RKS.161.16.1534 |
| 1 644 | 1 791 | 1 647 | 1 536 | 1 642 | 1 708 | 22 | 54 | 1 580 | 22 | 54 | 242 | RKS.161.16.1644 |
| 1 754 | 1 901 | 1 757 | 1 646 | 1 752 | 1 818 | 22 | 60 | 1 690 | 22 | 60 | 258 | RKS.161.16.1754 |
| 1 904 | 2 073,4 | 1 907 | 1 796 | 1 902 | 1 968 | 22 | 64 | 1 840 | 22 | 64 | 305 | RKS.161.20.1904 |

Relubrication can be done through 4 equally spaced grease fittings A M10×1 to DIN 71412 in the inner ring.



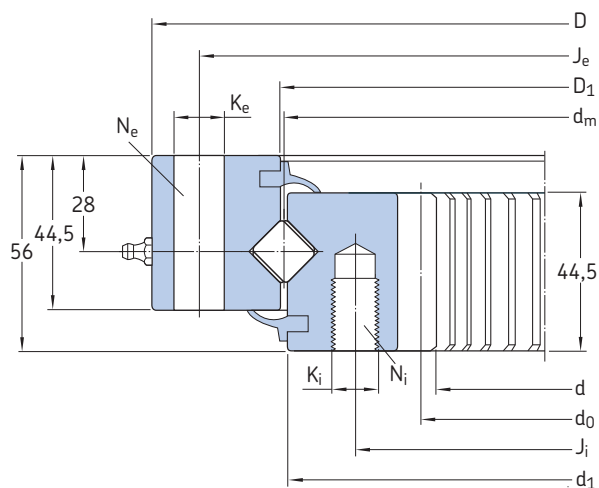
| Designation | Gear Dimensions | | | | | Permissible tooth forces | | Basic load ratings | | Static limiting load diagram | |
|-----------------|-----------------|----|-----|------|------|--------------------------|------------|--------------------|--------------|------------------------------|-------------|
| | $d_0^{1)}$ | m | z | x·m | k·m | $T_{fnormal}^{2)}$ | T_{fmax} | axial dynamic C | static C_0 | Raceway curves | Bolt curves |
| – | mm | – | mm | – | – | kN | – | kN | – | – | – |
| RKS.161.16.1204 | 1 310 | 10 | 131 | +5 | –1 | 45 | 130 | 402 | 1 900 | r1 | b1 |
| RKS.161.16.1314 | 1 420 | 10 | 142 | +5 | –1 | 45 | 130 | 421 | 2 070 | r2 | b2 |
| RKS.161.16.1424 | 1 530 | 10 | 153 | +5 | –1 | 45 | 130 | 439 | 2 580 | r3 | b3 |
| RKS.161.16.1534 | 1 640 | 10 | 164 | +5 | –1 | 45 | 130 | 456 | 2 770 | r4 | b4 |
| RKS.161.16.1644 | 1 760 | 10 | 176 | +6,5 | –1 | 45 | 130 | 475 | 2 990 | r5 | b5 |
| RKS.161.16.1754 | 1 870 | 10 | 187 | +6,5 | –1 | 45 | 130 | 491 | 3 180 | r6 | b6 |
| RKS.161.20.1904 | 2 030 | 14 | 145 | +9,1 | –1,4 | 62 | 181 | 644 | 3 950 | r7 | b7 |

¹⁾ Gear pitch circle diameter

²⁾ Normalized gear teeth; calculated for 3 000 000 operating cycles

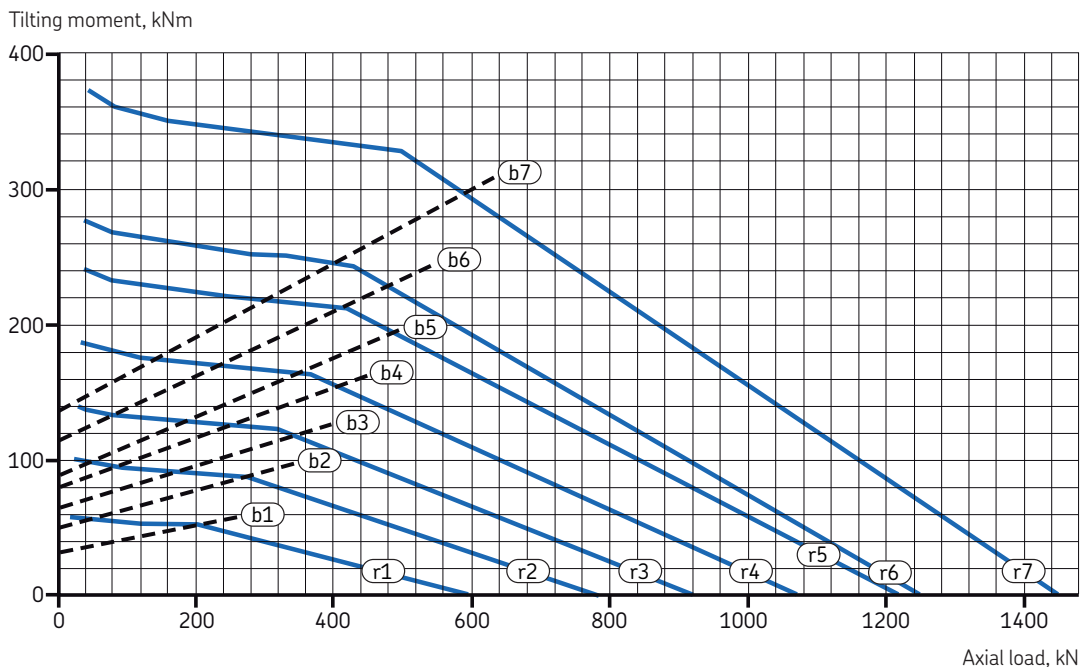
Medium size crossed cylindrical roller slewing bearings with an internal gear

d_m 414 – 1 094 mm



| Dimensions | | | | | Attachment bolt holes | | | | | | Mass | Designation |
|--------------|-------|-------|-------|-------|-----------------------|-------|-------|------------|-------|-------|------|------------------------|
| d_m | D | D_1 | d | d_1 | Outer ring | | | Inner ring | | | | |
| | | | | | J_e | K_e | N_e | J_i | K_i | N_i | | |
| mm | | | | | mm | | – | mm | | – | kg | – |
| 414 | 486 | 416 | 326.5 | 412 | 460 | 14 | 24 | 375 | M 12 | 24 | 31,0 | RKS.162.14.0414 |
| 544 | 616 | 546 | 445.2 | 542 | 590 | 14 | 32 | 505 | M 12 | 32 | 42,0 | RKS.162.14.0544 |
| 644 | 716 | 646 | 547.2 | 642 | 690 | 14 | 36 | 605 | M 12 | 36 | 50,0 | RKS.162.14.0644 |
| 744 | 816 | 746 | 649.2 | 742 | 790 | 14 | 40 | 705 | M 12 | 40 | 58,0 | RKS.162.14.0744 |
| 844 | 916 | 846 | 737.6 | 842 | 890 | 14 | 40 | 805 | M 12 | 40 | 69,0 | RKS.162.14.0844 |
| 944 | 1016 | 946 | 841.6 | 942 | 990 | 14 | 44 | 905 | M 12 | 44 | 76,0 | RKS.162.14.0944 |
| 1 094 | 1 166 | 1 096 | 985.6 | 1 092 | 1 140 | 14 | 48 | 1 055 | M 12 | 48 | 91,0 | RKS.162.14.1094 |

Relubrication can be done through 4 equally spaced grease fittings A M10x1 to DIN 71412 in the outer ring.

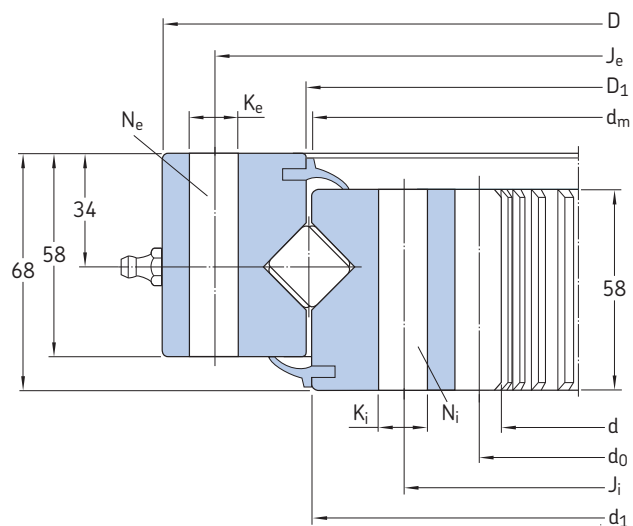


| Designation | Gear Dimensions | | | | Permissible tooth forces | | Basic load ratings | | Static limiting load diagram | |
|-----------------|-----------------|---|-----|-------|--------------------------|------------------|--------------------|--------------|------------------------------|-------------|
| | $d_0^{1)}$ | m | z | k·m | $T_{\text{normal}}^{2)}$ | T_{max} | axial dynamic C | static C_0 | Raceway curves | Bolt curves |
| – | mm | – | mm | kN | kN | | kN | | – | |
| RKS.162.14.0414 | 335 | 5 | 67 | –0,75 | 12 | 49 | 167 | 595 | r1 | b1 |
| RKS.162.14.0544 | 456 | 6 | 76 | –0,6 | 16 | 65 | 194 | 784 | r2 | b2 |
| RKS.162.14.0644 | 558 | 6 | 93 | –0,6 | 16 | 65 | 210 | 919 | r3 | b3 |
| RKS.162.14.0744 | 660 | 6 | 110 | –0,6 | 16 | 65 | 228 | 1 070 | r4 | b4 |
| RKS.162.14.0844 | 752 | 8 | 94 | –0,8 | 21 | 87 | 244 | 1 220 | r5 | b5 |
| RKS.162.14.0944 | 856 | 8 | 107 | –0,8 | 21 | 87 | 258 | 1 250 | r6 | b6 |
| RKS.162.14.1094 | 1 000 | 8 | 125 | –0,8 | 21 | 87 | 279 | 1 450 | r7 | b7 |

¹⁾ Gear pitch circle diameter

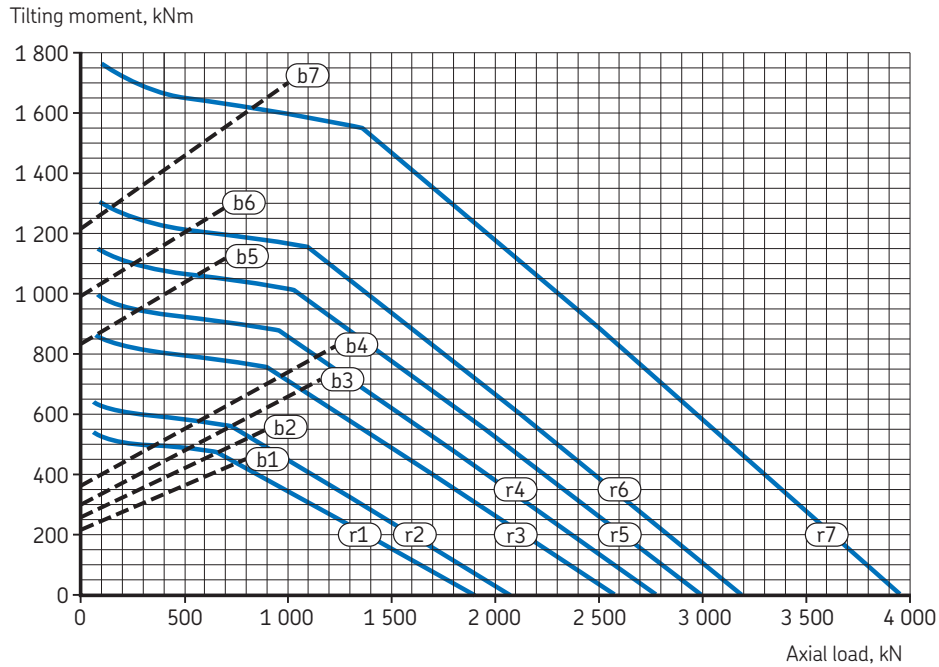
²⁾ Normalized gear teeth; calculated for 3 000 000 operating cycles

Medium size crossed cylindrical roller slewing bearings with an internal gear

 d_m 1 204 – 1 904 mm

| Dimensions | | | | | Attachment bolt holes | | | | | | Mass | Designation |
|--------------|-------|---------|-------|-------|-----------------------|-------|-------|------------|-------|-------|------|------------------------|
| d_m | D | D_1 | d | d_1 | Outer ring | | | Inner ring | | | | |
| | | | | | J_e | K_e | N_e | J_i | K_i | N_i | | |
| mm | | | | | mm | | - | mm | | - | kg | - |
| 1 204 | 1 289 | 1 206 | 1 072 | 1 202 | 1 257 | 16 | 45 | 1 151 | 16 | 45 | 148 | RKS.162.16.1204 |
| 1 314 | 1 399 | 1 316,5 | 1 182 | 1 312 | 1 367 | 16 | 50 | 1 261 | 16 | 50 | 160 | RKS.162.16.1314 |
| 1 424 | 1 509 | 1 426,5 | 1 292 | 1 422 | 1 477 | 16 | 54 | 1 371 | 16 | 54 | 175 | RKS.162.16.1424 |
| 1 534 | 1 619 | 1 536,5 | 1 402 | 1 532 | 1 587 | 16 | 60 | 1 481 | 16 | 60 | 190 | RKS.162.16.1534 |
| 1 644 | 1 752 | 1 646,5 | 1 495 | 1 642 | 1 708 | 22 | 54 | 1 580 | 22 | 54 | 240 | RKS.162.16.1644 |
| 1 754 | 1 862 | 1 756,5 | 1 605 | 1 751 | 1 818 | 22 | 60 | 1 690 | 22 | 60 | 255 | RKS.162.16.1754 |
| 1 904 | 2 012 | 1 906,5 | 1 729 | 1 902 | 1 968 | 22 | 64 | 1 840 | 22 | 64 | 305 | RKS.162.20.1904 |

Relubrication can be done through 4 equally spaced grease fittings A M10x1 to DIN 71412 in the outer ring.



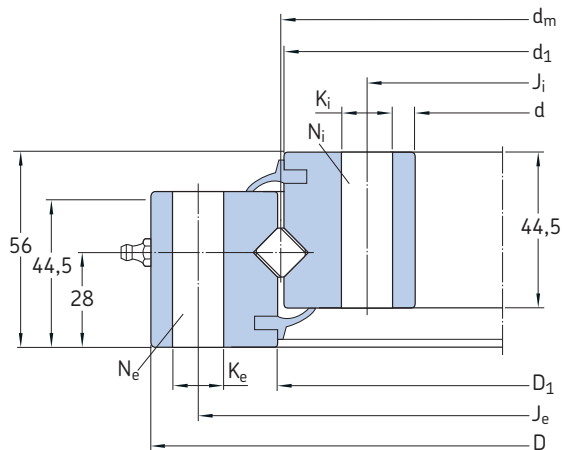
| Designation | Gear Dimensions | | | | | Permissible tooth forces | | Basic load ratings | | Static limiting load diagram | |
|-----------------|-----------------|----|-----|-------|------|--------------------------|------------------|--------------------|--------------|------------------------------|-------------|
| | $d_0^{1)}$ | m | z | x·m | k·m | $T_{\text{normal}}^{2)}$ | T_{max} | axial dynamic C | static C_0 | Raceway curves | Bolt curves |
| – | mm | – | mm | – | – | kN | – | kN | – | – | – |
| RKS.162.16.1204 | 1 080 | 10 | 108 | +0,5 | -1 | 48 | 169 | 402 | 1 900 | r1 | b1 |
| RKS.162.16.1314 | 1 190 | 10 | 119 | +0,5 | -1 | 48 | 169 | 421 | 2 070 | r2 | b2 |
| RKS.162.16.1424 | 1 300 | 10 | 130 | +0,5 | -1 | 48 | 169 | 439 | 2 580 | r3 | b3 |
| RKS.162.16.1534 | 1 410 | 10 | 141 | +0,5 | -1 | 48 | 169 | 456 | 2 770 | r4 | b4 |
| RKS.162.16.1644 | 1 500 | 10 | 150 | +0,65 | -1 | 48 | 169 | 475 | 2 990 | r5 | b5 |
| RKS.162.16.1754 | 1 610 | 10 | 161 | +0,65 | -1 | 48 | 169 | 491 | 3 180 | r6 | b6 |
| RKS.162.20.1904 | 1 736 | 14 | 124 | +0,65 | -1,4 | 69 | 230 | 644 | 3 950 | r7 | b7 |

¹⁾ Gear pitch circle diameter

²⁾ Normalized gear teeth; calculated for 3 000 000 operating cycles

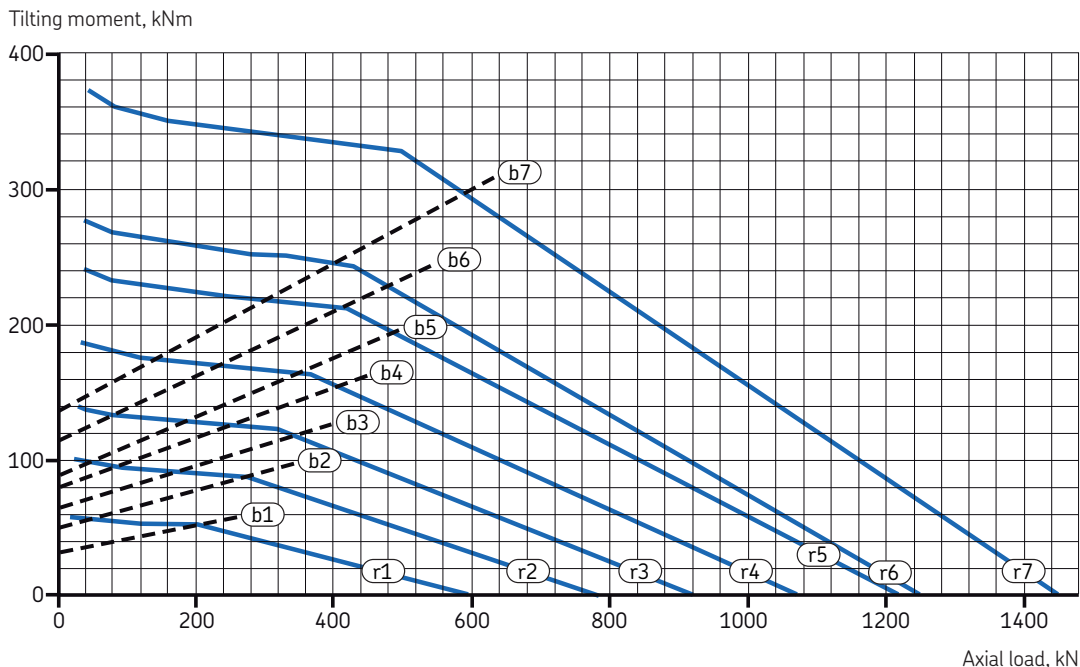
Medium size crossed cylindrical roller slewing bearings without a gear

d_m 414 – 1 094 mm



| Dimensions | | | | | Attachment bolt holes Outer ring | | | Inner ring | | | Mass | Designation |
|--------------|-------|-------|-------|-------|-------------------------------------|-------|-------|------------|-------|-------|------|------------------------|
| d_m | D | D_1 | d | d_1 | J_e | K_e | N_e | J_i | K_i | N_i | | |
| mm | | | | | mm | - | mm | - | kg | - | | |
| 414 | 486 | 416 | 344 | 412 | 460 | 14 | 24 | 368 | 14 | 24 | 28,0 | RKS.160.14.0414 |
| 544 | 616 | 546 | 474 | 542 | 590 | 14 | 32 | 498 | 14 | 32 | 38,0 | RKS.160.14.0544 |
| 644 | 716 | 646 | 574 | 642 | 690 | 14 | 36 | 598 | 14 | 36 | 44,0 | RKS.160.14.0644 |
| 744 | 816 | 746 | 674 | 742 | 790 | 14 | 40 | 698 | 14 | 40 | 52,0 | RKS.160.14.0744 |
| 844 | 916 | 846 | 774 | 842 | 890 | 14 | 40 | 798 | 14 | 40 | 60,0 | RKS.160.14.0844 |
| 944 | 1016 | 946 | 874 | 942 | 990 | 14 | 44 | 898 | 14 | 44 | 67,0 | RKS.160.14.0944 |
| 1 094 | 1 166 | 1 096 | 1 024 | 1 092 | 1 140 | 14 | 48 | 1 048 | 14 | 48 | 77,0 | RKS.160.14.1094 |

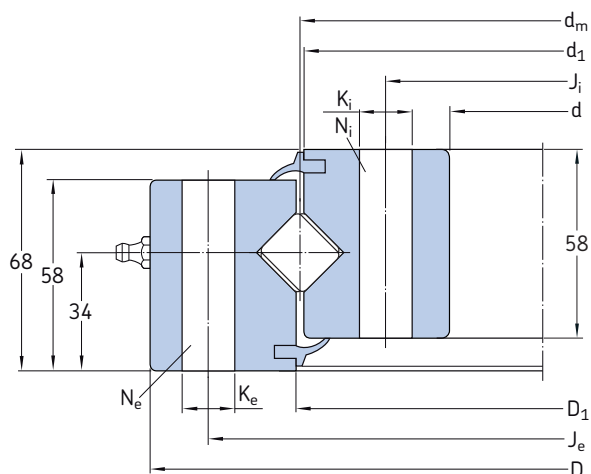
Relubrication can be done through 4 equally spaced grease fittings A M10x1 to DIN 71412 in the outer ring.



| Designation | Basic load ratings | | Static limiting load diagram | |
|-------------|--------------------|-----------------------|------------------------------|-------------|
| | axial dynamic C | static C ₀ | Raceway curves | Bolt curves |

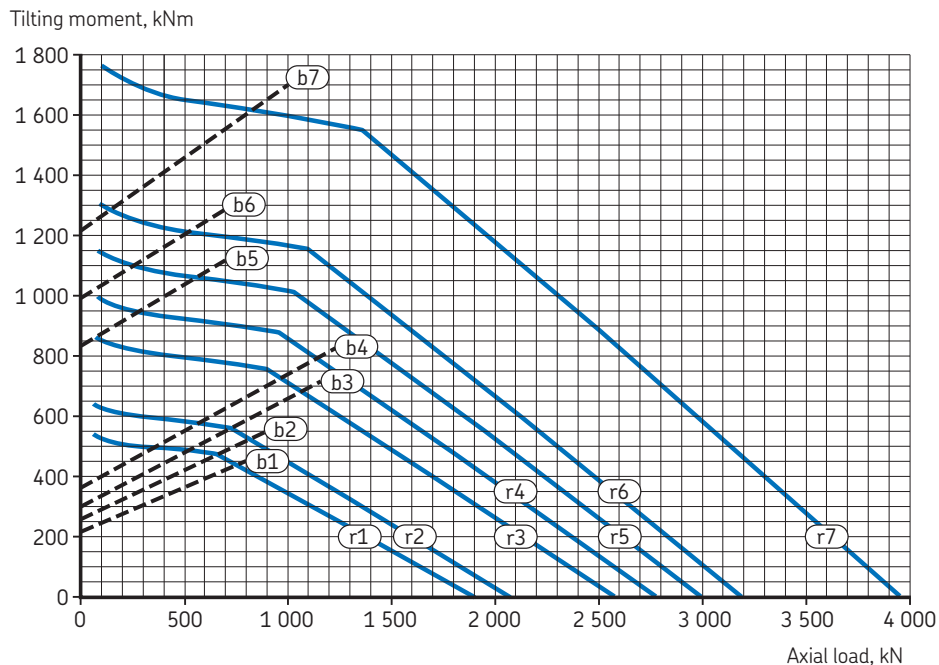
| | kN | | | |
|-----------------|-----|-------|----|----|
| RKS.160.14.0414 | 167 | 595 | r1 | b1 |
| RKS.160.14.0544 | 194 | 784 | r2 | b2 |
| RKS.160.14.0644 | 210 | 919 | r3 | b3 |
| RKS.160.14.0744 | 228 | 1 070 | r4 | b4 |
| RKS.160.14.0844 | 244 | 1 220 | r5 | b5 |
| RKS.160.14.0944 | 258 | 1 250 | r6 | b6 |
| RKS.160.14.1094 | 279 | 1 450 | r7 | b7 |

Medium size crossed cylindrical roller slewing bearings without a gear

 d_m 1 204 – 1 904 mm

| Dimensions | | | | | Attachment bolt holes Outer ring | | | Inner ring | | | Mass | Designation |
|--------------|-------|---------|-------|-------|-------------------------------------|-------|-------|------------|-------|-------|------|------------------------|
| d_m | D | D_1 | d | d_1 | J_e | K_e | N_e | J_i | K_i | N_i | | |
| mm | | | | | mm | | | mm | | | kg | - |
| 1 204 | 1 289 | 1 206 | 1 119 | 1 202 | 1 257 | 16 | 45 | 1 151 | 16 | 45 | 124 | RKS.160.16.1204 |
| 1 314 | 1 399 | 1 316,5 | 1 229 | 1 312 | 1 367 | 16 | 50 | 1 261 | 16 | 50 | 135 | RKS.160.16.1314 |
| 1 424 | 1 509 | 1 426,5 | 1 339 | 1 422 | 1 477 | 16 | 54 | 1 371 | 16 | 54 | 146 | RKS.160.16.1424 |
| 1 534 | 1 619 | 1 536,5 | 1 449 | 1 532 | 1 587 | 16 | 60 | 1 481 | 16 | 60 | 158 | RKS.160.16.1534 |
| 1 644 | 1 752 | 1 646,5 | 1 536 | 1 642 | 1 708 | 22 | 54 | 1 580 | 22 | 54 | 215 | RKS.160.16.1644 |
| 1 754 | 1 862 | 1 756,5 | 1 646 | 1 752 | 1 818 | 22 | 60 | 1 690 | 22 | 60 | 228 | RKS.160.16.1754 |
| 1 904 | 2 012 | 1 906,5 | 1 796 | 1 902 | 1 968 | 22 | 64 | 1 840 | 22 | 64 | 248 | RKS.160.20.1904 |

Relubrication can be done through 4 equally spaced grease fittings A M10x1 to DIN 71412 in the outer ring.



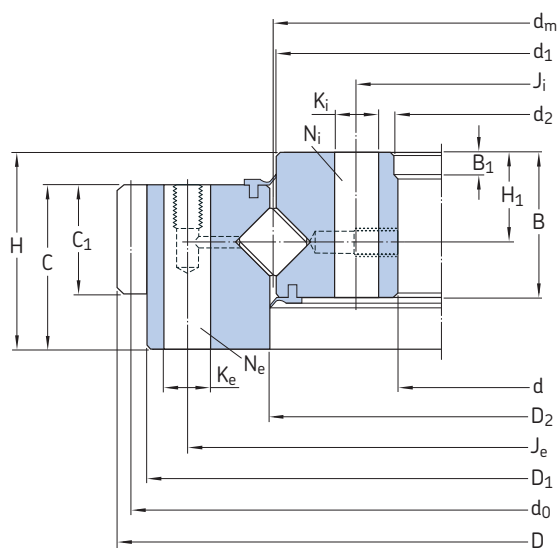
| Designation | Basic load ratings | | Static limiting load diagrams | |
|-------------|--------------------|-----------------------|-------------------------------|-------------|
| | axial dynamic C | static C ₀ | Raceway curves | Bolt curves |

– kN –

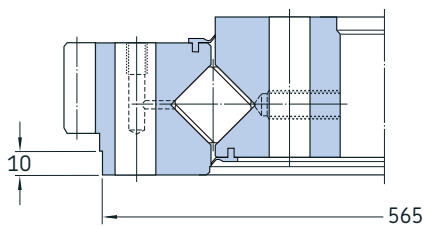
| | | | | |
|-----------------|-----|-------|----|----|
| RKS.160.16.1204 | 402 | 1 900 | r1 | b1 |
| RKS.160.16.1314 | 421 | 2 070 | r2 | b2 |
| RKS.160.16.1424 | 439 | 2 580 | r3 | b3 |
| RKS.160.16.1534 | 456 | 2 770 | r4 | b4 |
| RKS.160.16.1644 | 475 | 2 990 | r5 | b5 |
| RKS.160.16.1754 | 491 | 3 180 | r6 | b6 |
| RKS.160.20.1904 | 644 | 3 950 | r7 | b7 |

Customized crossed cylindrical roller slewing bearings with an external gear

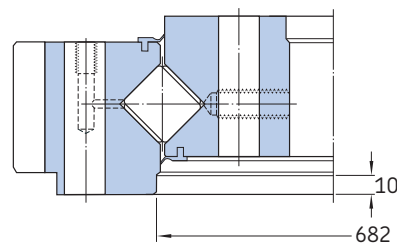
d_m 310 – 675 mm



Design 1

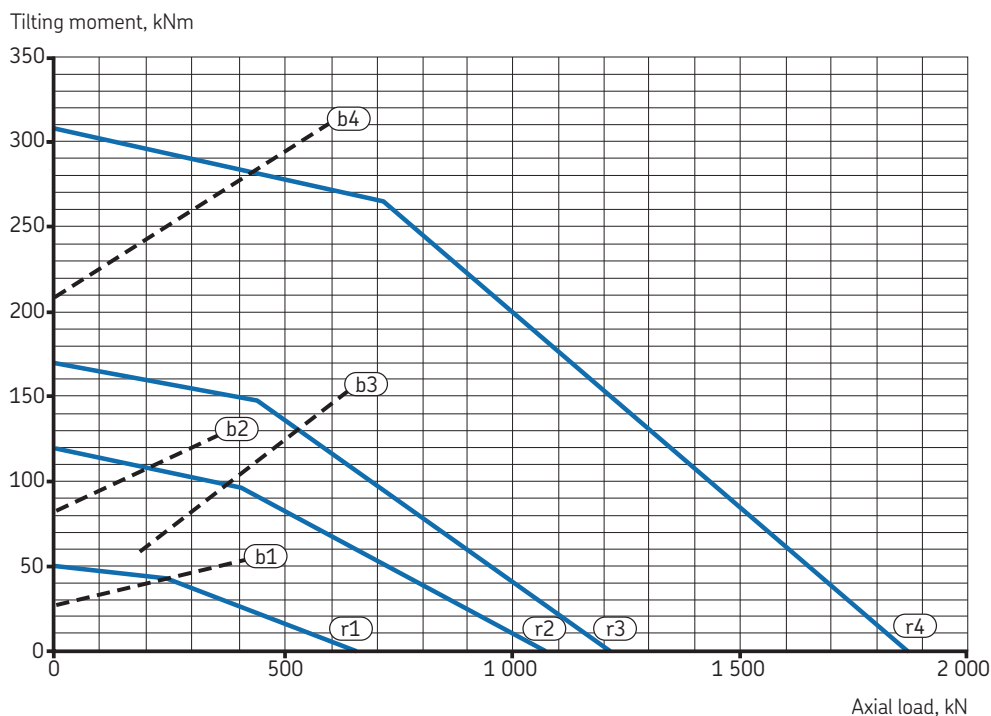


Design 2



Design 3

| Dimensions | | Outer ring | | | | | | | Inner ring | | | | Mass | Designation | | |
|-----------------|-------|------------|----|----|-----|-------|-------|-------|------------|-------|-------|-------|------|-------------------------|--|--|
| Slewing bearing | | d_m | D | d | H | H_1 | D_1 | D_2 | C | C_1 | d_1 | d_2 | B | B_1 | | |
| mm | | mm | | | | | | | mm | | | | kg | - | | |
| 310 | 403,5 | 233 | 55 | 28 | 379 | 312 | 43 | 37 | 308 | 235 | 45 | 10 | 24,0 | RKS.921150303001 | | |
| 474 | 589,5 | 378 | 75 | 37 | 567 | 476 | 60 | 40 | 472 | 384 | 58 | 10 | 62,0 | RKS.121400202001 | | |
| 574 | 695 | 477 | 77 | 35 | 671 | 576 | 64 | 42 | 572 | 480 | 57 | 9 | 79,0 | RKS.121390101002 | | |
| 675 | 816 | 571 | 90 | 42 | 781 | 677 | 73 | 65 | 673 | 574 | 67 | 10 | 117 | RKS.122290101002 | | |

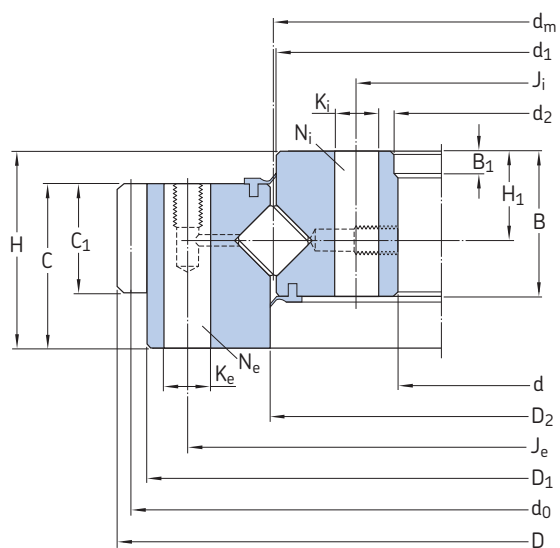


| Designation | De- sign | Attachment bolt holes | | | | | Gear Dimensions | | | | | Permissible tooth forces | | Basic load ratings | | Static limiting load diagram | | |
|------------------|-------------|-----------------------|----------------|----------------|----------------|----------------|--------------------|------------------------------|-----|--------------------------|------------------------|-----------------------------|--------------------------|--------------------|----------------|---------------------------------|----|----|
| | | Outer ring | | | Inner ring | | | | | $T_{\text{normal}}^{2)}$ | $T_{\text{fmax}}^{2)}$ | axial dynamic C | static C ₀ | Raceway curves | Bolt curves | | | |
| - | - | J _e | K _e | N _e | J _i | K _i | N _i | d ₀ ¹⁾ | m | z | x·m | k·m | kN | kN | - | - | - | - |
| RKS.921150303001 | 1 | 358 | 13 | 24 | 259 | 13 | 27 ³⁾ | 396 | 4,5 | 88 | 0 | 0,752 | 17 | 35 | 245 | 697 | r1 | b1 |
| RKS.121400202001 | 2 | 540 | 16 | 36 | 410 | 16 | 35 | 580,5 | 4,5 | 129 | 0 | 0 | 19 | 38 | 304 | 1 050 | r2 | b2 |
| RKS.121390101002 | 1 | 640 | 18 | 36 | 508 | 18 | 35 | 685 | 5 | 137 | 0 | 0 | 21 | 43 | 339 | 1 280 | r3 | b3 |
| RKS.122290101002 | 3 | 753 | 22 | 36 | 604 | 22 | 35 | 792 | 6 | 132 | 6,552 | 0,552 | 40 | 79 | 495 | 1 880 | r4 | b4 |

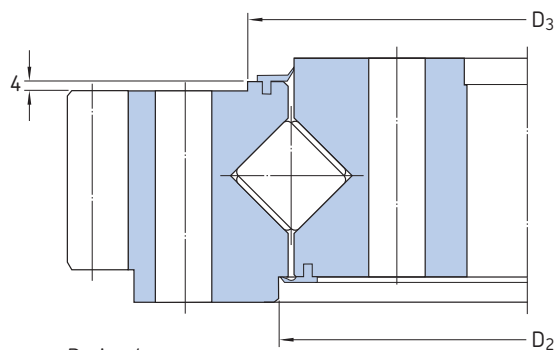
¹⁾ Gear pitch circle diameter
²⁾ Normalized gear teeth; calculated for 3 000 000 operating cycles
³⁾ Attachment bolt holes not equally spaced

Customized crossed cylindrical roller slewing bearings with an external gear

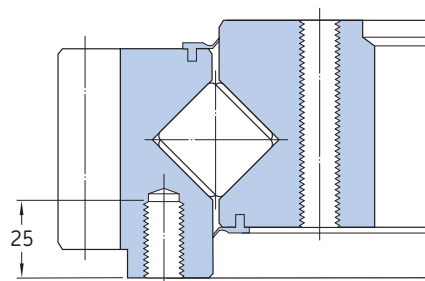
d_m 760 – 1 117 mm



Design 1

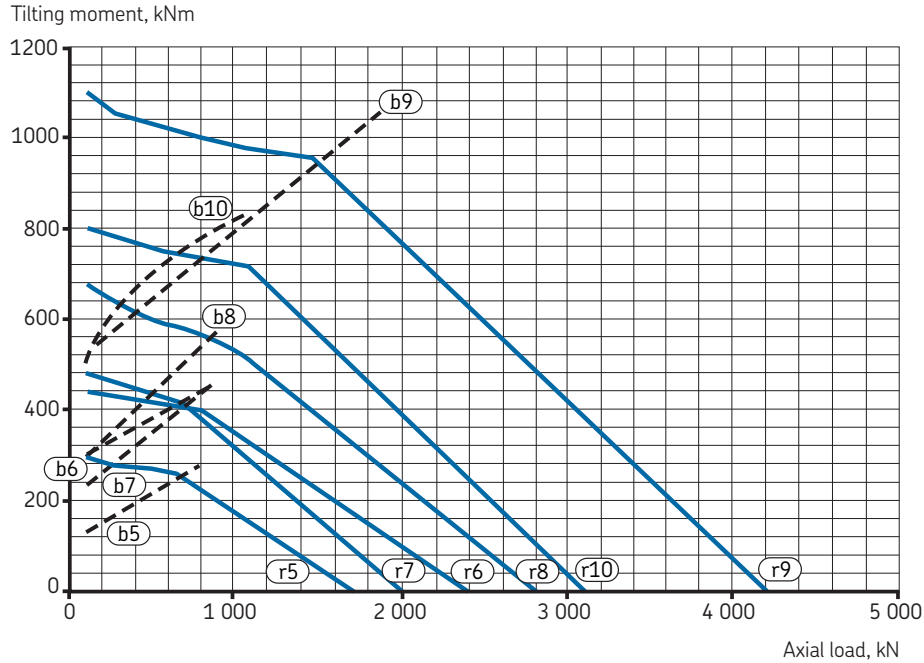


Design 4



Design 5

| Dimensions Slewing bearing | | | | | | | | | | Outer ring | | Inner ring | | Mass | Designation |
|----------------------------|---------|-----|-----|-------|-------|-------|-------|----|-------|------------|-------|------------|-------|------|-------------------------|
| d_m | D | d | H | H_1 | D_1 | D_2 | D_3 | C | C_1 | d_1 | d_2 | B | B_1 | | |
| mm | | | | | mm | | | mm | | kg | - | | | | |
| 760 | 864 | 668 | 82 | 39 | 835 | 762 | - | 64 | 56 | 758 | 680 | 61 | 10 | 97,0 | RKS.221310101001 |
| 823 | 979 | 715 | 100 | 47 | 935 | 845 | 853 | 79 | 63 | 821 | 718 | 84 | 10 | 180 | RKS.222500101001 |
| 980 | 1 080 | 886 | 82 | 32 | 1 040 | 982 | - | 72 | 64 | 978 | 895 | 53 | 10 | 120 | RKS.221300101001 |
| 980 | 1 144 | 868 | 100 | 50 | 1 088 | 993 | 1 010 | 81 | 68 | 978 | 870 | 88 | 10 | 230 | RKS.222600101001 |
| 1 117 | 1 289,5 | 980 | 114 | 60 | 1 240 | 1 119 | - | 90 | 75 | 1 115 | 985 | 96 | 10 | 330 | RKS.324012324001 |
| 1 117 | 1 296 | 980 | 114 | 60 | 1 240 | 1 119 | - | 90 | 80 | 1 115 | 985 | 96 | 10 | 340 | RKS.322300101001 |

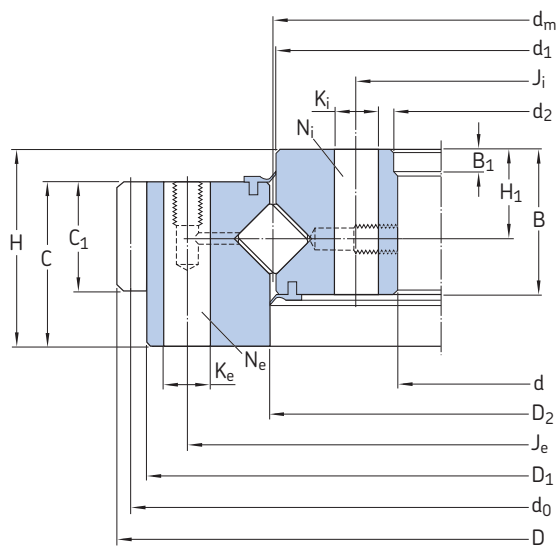


| Designation | De- sign | Attachment bolt holes | | | Gear | | | | Permissible | | Basic load ratings | | Static limiting | | | | | |
|------------------|-------------|-----------------------|-------|------------------|------------|-------|------------------|--------------|-------------|-------|--------------------|--------------|--------------------|-----------------|-------|-------|---------|--------|
| | | Outer ring | | Inner ring | Dimensions | | | tooth forces | T_{fmax} | axial | static | load diagram | | | | | | |
| | | J_e | K_e | N_e | J_i | K_i | N_i | $d_0^{1)}$ | m | z | $x \cdot m$ | $k \cdot m$ | $T_{fnormal}^{2)}$ | $T_{fmax}^{2)}$ | C | C_0 | Raceway | Bolt |
| | | mm | | mm | | mm | | mm | | mm | | | kN | kN | | | curves | curves |
| RKS.221310101001 | 5 | 800 | M 16 | 24 | 706 | M 16 | 25 | 852 | 6 | 142 | 0 | 0 | 34 | 69 | 397 | 1 710 | r5 | b5 |
| RKS.222500101001 | 4 | 893 | 22 | 28 ³⁾ | 753 | 22 | 28 ³⁾ | 940 | 10 | 94 | 11 | 1,5 | 74 | 136 | 558 | 2 330 | r6 | b6 |
| RKS.221300101001 | 5 | 1 015 | M 16 | 30 | 922 | M 16 | 30 | 1 064 | 8 | 133 | 0 | 0 | 63 | 115 | 454 | 2 040 | r7 | b7 |
| RKS.222600101001 | 4 | 1 050 | 22 | 28 ³⁾ | 910 | 22 | 26 ³⁾ | 1 122 | 11 | 102 | 0 | 0 | 89 | 163 | 607 | 2 740 | r8 | b8 |
| RKS.324012324001 | 1 | 1 198 | 22 | 40 | 1 035 | 22 | 40 | 1 250 | 10 | 125 | 10,5 | 0,75 | 91 | 167 | 1 090 | 4 100 | r9 | b9 |
| RKS.322300101001 | 1 | 1 198 | 22 | 28 | 1 035 | 22 | 28 | 1 260 | 12 | 105 | 7,08 | 1,08 | 114 | 210 | 655 | 3 160 | r10 | b10 |

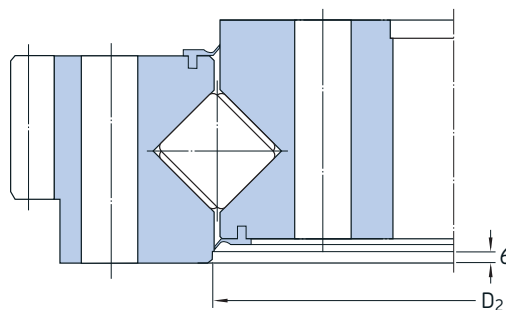
¹⁾ Gear pitch circle diameter
²⁾ Normalized gear teeth; calculated for 3 000 000 operating cycles
³⁾ Attachment bolt holes not equally spaced

Customized crossed cylindrical roller slewing bearings with an external gear

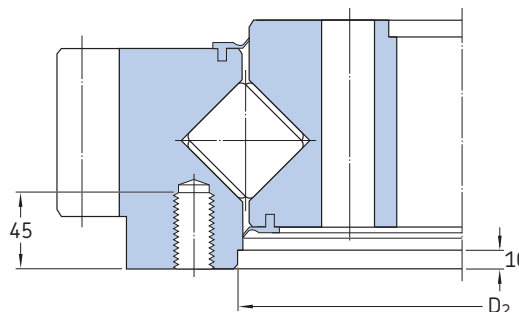
d_m 1 250 – 1 600 mm



Design 1

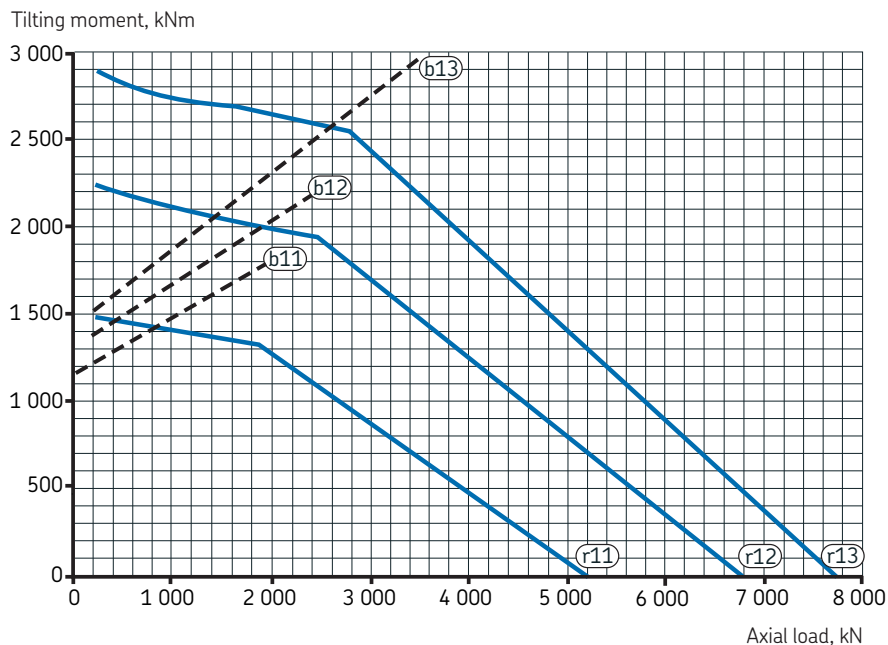


Design 6



Design 7

| Dimensions | | Slewing bearing | | Outer ring | | Inner ring | | Mass | Designation | | | | | |
|------------|---------|-----------------|-----|------------|-------|------------|-----|-------|-------------|-------|-----|-------|-----|------------------|
| d_m | D | d | H | H_1 | D_1 | D_2 | C | C_1 | d_1 | d_2 | B | B_1 | kg | - |
| 1 250 | 1 475,5 | 1 080 | 110 | 60 | 1 415 | 1 252,5 | 89 | 75 | 1 247,5 | 1 085 | 100 | 10 | 490 | RKS.425060101001 |
| 1 250 | 1 475,5 | 1 080 | 110 | 60 | 1 415 | 1 252,5 | 89 | 75 | 1 247,5 | 1 085 | 100 | 10 | 480 | RKS.425060201001 |
| 1 250 | 1 475,5 | 1 080 | 110 | 60 | 1 415 | 1 252,5 | 89 | 75 | 1 247,5 | 1 085 | 100 | 10 | 480 | RKS.425062621001 |
| 1 390 | 1 604 | 1 205 | 130 | 68,5 | 1 551 | 1 394 | 109 | 75 | 1 387,5 | 1 208 | 116 | 10 | 620 | RKS.427020101001 |
| 1 600 | 1 804,8 | 1 430 | 141 | 68 | 1 730 | 1 608 | 125 | 95 | 1 597,5 | 1 437 | 118 | 10 | 710 | RKS.427050403001 |

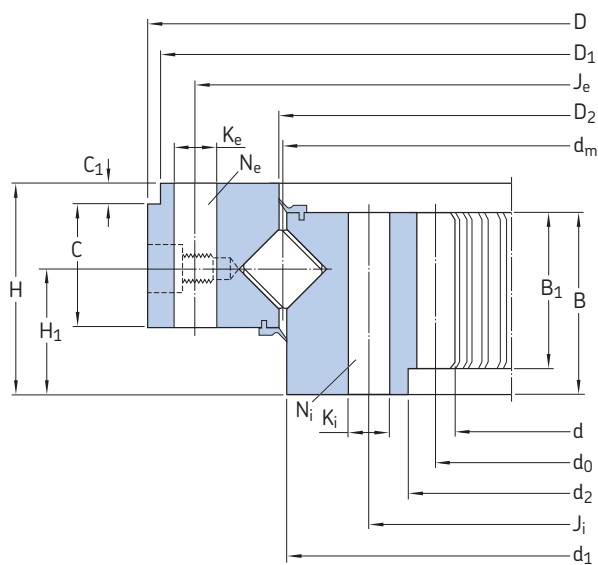


| Designation | De- sign | Attachment bolt holes | | | | | | Gear Dimensions | | | | | Permissible tooth forces | | Basic load ratings | | Static limiting load diagram | |
|------------------|-------------|-----------------------|------|------------------|------------|----|------------------|--------------------|----|-----|--------|-------|-----------------------------|------------------------|-----------------------|-----------------|---------------------------------|----------------|
| | | Outer ring | | | Inner ring | | | $d_0^{1)}$ | m | z | x·m | k·m | $T_{\text{normal}}^{2)}$ | $T_{\text{fmax}}^{2)}$ | axial dynamic C | static C_0 | Raceway curves | Bolt curves |
| - | - | mm | - | mm | - | mm | - | mm | - | mm | - | mm | kN | kN | kN | kN | - | - |
| RKS.425060101001 | 1 | 1 350 | 27 | 24 | 1 150 | 27 | 28 | 1 440 | 10 | 144 | 8,6 | 0,85 | 92 | 169 | 1 220 | 5 220 | r11 | b11 |
| RKS.425060201001 | 1 | 1 350 | 27 | 24 | 1 150 | 27 | 28 | 1 428 | 14 | 102 | 13,3 | 3,55 | 125 | 229 | 1 220 | 5 220 | r11 | b11 |
| RKS.425062621001 | 1 | 1 350 | 27 | 48 | 1 150 | 27 | 48 | 1 428 | 14 | 102 | 13,3 | 3,55 | 125 | 229 | 1 220 | 5 220 | r11 | b11 |
| RKS.427020101001 | 6 | 1 500 | 30 | 24 | 1 280 | 30 | 40 ³⁾ | 1 570 | 10 | 157 | 7,5 | 0,5 | 93 | 171 | 1 730 | 6 660 | r12 | b12 |
| RKS.427050403001 | 7 | 1 671 | M 27 | 40 ³⁾ | 1 485 | 30 | 42 ³⁾ | 1 744 | 16 | 109 | 16,912 | 2,512 | 239 | 409 | 1 840 | 7 560 | r13 | b13 |

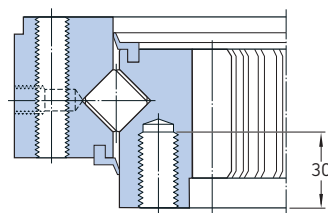
¹⁾ Gear pitch circle diameter
²⁾ Normalized gear teeth; calculated for 3 000 000 operating cycles
³⁾ Attachment bolt holes not equally spaced

Customized crossed cylindrical roller slewing bearings with an internal gear

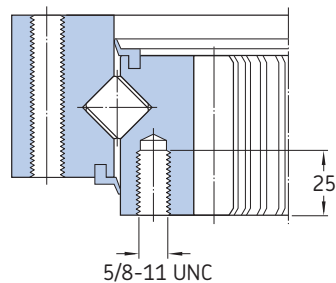
d_m 489 – 1 077 mm



Design 1

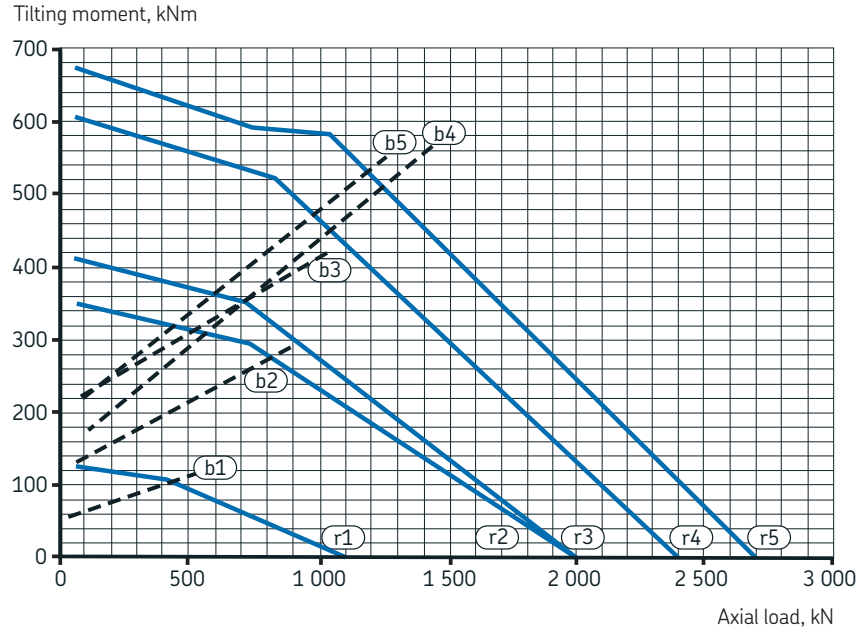


Design 2



Design 3

| Dimensions Slewing bearing | | | | | Outer ring | | | Inner ring | | | | Mass | Designation | |
|-------------------------------|-------|-------|----|-------|------------|-------|----|------------|-------|-------|----|-------|-------------|--------------------------|
| d_m | D | d | H | H_1 | D_1 | D_2 | C | C_1 | d_1 | d_2 | B | B_1 | kg | – |
| mm | | | | | mm | | | mm | | | | kg | – | |
| 489 | 562 | 384,6 | 60 | 30 | 560 | 491 | 50 | 10 | 487 | 418 | 50 | 45 | 42,0 | RKS. 111280101002 |
| 713 | 825 | 567,5 | 90 | 53 | 815 | 715 | 62 | 10 | 711 | 605 | 78 | 67 | 133 | RKS. 212140106001 |
| 885 | 972 | 785,6 | 82 | 46 | 970 | 887 | 61 | 10 | 883 | 820 | 68 | 60 | 110 | RKS. 211430101001 |
| 1 075 | 1 177 | 965,1 | 90 | 47 | – | 1 077 | 77 | – | 1 073 | 1 010 | 70 | 70 | 155 | RKS. 212600101001 |
| 1 077 | 1 172 | 961 | 90 | 49 | 1 165 | 1 079 | 63 | 10 | 1 075 | 1 010 | 72 | 64 | 182 | RKS. 211440101001 |

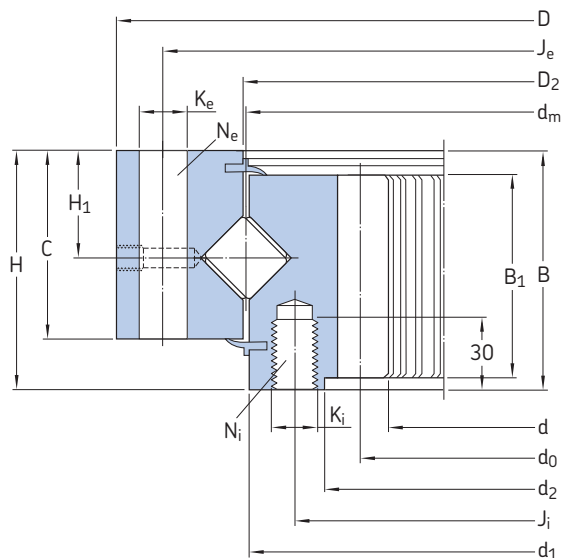


| Designation | De- sign | Attachment bolt holes | | | | | Gear Dimensions | | | | | Permissible tooth forces | | Basic load ratings | | Static limiting load diagram | | |
|-------------------|-------------|-----------------------|-------|------------------|-------|--------|--------------------|------------|-------|-----|-------------|-----------------------------|--------------------|--------------------|------------------|---------------------------------|-------------------|----------------|
| | | Outer ring | | Inner ring | | | N_i | $d_0^{1)}$ | m | z | $x \cdot m$ | $k \cdot m$ | $T_{fnormal}^{2)}$ | T_{fmax} | axial dynamic | static | Raceway curves | Bolt curves |
| - | - | J_e | K_e | N_e | J_i | K_i | - | mm | - | mm | - | mm | kN | kN | kN | kN | - | - |
| RKS. 111280101002 | 1 | 538 | 14 | 30 | 440 | 14 | 30 | 396 | 6 | 66 | 0 | 0,3 | 43 | 86 | 314 | 1 100 | r1 | b1 |
| RKS. 212140106001 | 1 | 785 | 18 | 26 ³⁾ | 640 | 18 | 20 ³⁾ | 574 | 7 | 82 | 3,5 | 0,25 | 65 | 131 | 516 | 2 010 | r2 | b2 |
| RKS. 211430101001 | 2 | 944 | M 16 | 36 | 850 | M 16 | 36 | 800 | 8 | 100 | 0 | 0,8 | 66 | 133 | 427 | 1 980 | r3 | b3 |
| RKS. 212600101001 | 3 | 1 134 | M 16 | 36 | 1 040 | 5/8-11 | 36 | 955,04 | 10,16 | 94 | 12,7 | 2,47 | 107 | 196 | 475 | 2 410 | r4 | b4 |
| RKS. 211440101001 | 2 | 1 134 | M 16 | 36 | 1 040 | M 16 | 36 | 980 | 10 | 98 | 0 | 0,5 | 111 | 205 | 639 | 2 790 | r5 | b5 |

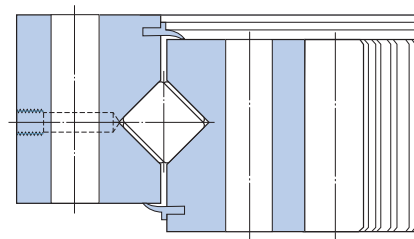
¹⁾ Gear pitch circle diameter
²⁾ Normalized gear teeth; calculated for 3 000 000 operating cycles
³⁾ Attachment bolt holes not equally spaced

Customized crossed cylindrical roller slewing bearings with an internal gear

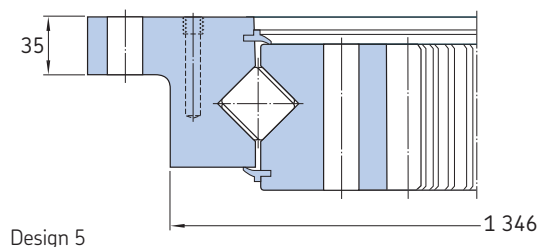
d_m 1 202 – 2 202 mm



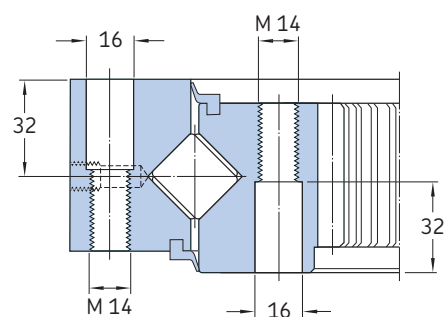
Design 3



Design 4

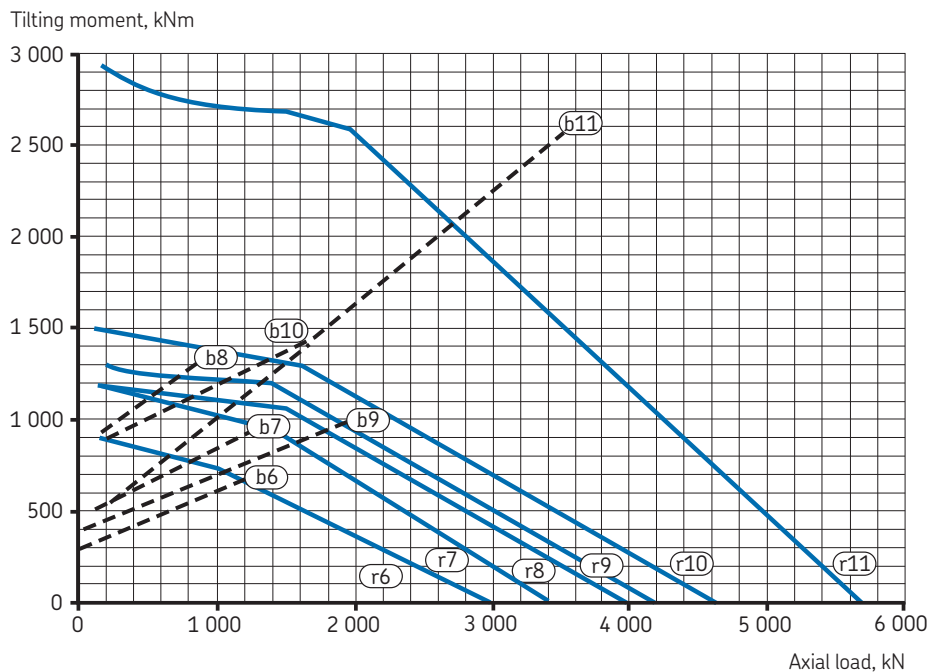


Design 5



Design 6

| Dimensions Slewing bearing | | | | | Outer ring | | Inner ring | | Mass | Designation | | |
|-------------------------------|---------|---------|--------|-------|------------|------|------------|-------|------|-------------|-----|-------------------|
| d_m | D | d | H | H_1 | D_2 | C | d_1 | d_2 | B | B_1 | kg | - |
| mm | | | | | mm | | mm | | | | | |
| 1 202 | 1 316 | 1 082,1 | 105,5 | 49,5 | 1 204 | 85 | 1 200 | 1 128 | 92,5 | 91,5 | 260 | RKS. 312410101001 |
| 1 202 | 1 316 | 1 082,1 | 105,5 | 49,5 | 1 204 | 85 | 1 200 | 1 128 | 92,5 | 91,5 | 260 | RKS. 312410102001 |
| 1 202 | 1 316 | 1 082 | 105,5 | 49,5 | 1 204 | 85 | 1 200 | - | 92,5 | - | 260 | RKS. 312290202001 |
| 1 231 | 1 365 | 1 038,8 | 102 | 51 | 1 233,25 | 90 | 1 228,75 | - | 90 | - | 370 | RKS. 313500404001 |
| 1 240 | 1 447,8 | 1 038,8 | 104,65 | 52,5 | 1 242,25 | 92,2 | 1 237,75 | 1 086 | 88,9 | 87,9 | 425 | RKS. 314310101001 |
| 1 350 | 1 495 | 1 164,8 | 110 | 55 | 1 352,5 | 93 | 1 347,5 | - | 95 | - | 440 | RKS. 413290203001 |
| 2 202 | 2 290 | 2 091 | 70 | 35 | 2 205 | 62 | 2 199 | 2 115 | 62 | 52 | 290 | RKS. 512080101001 |



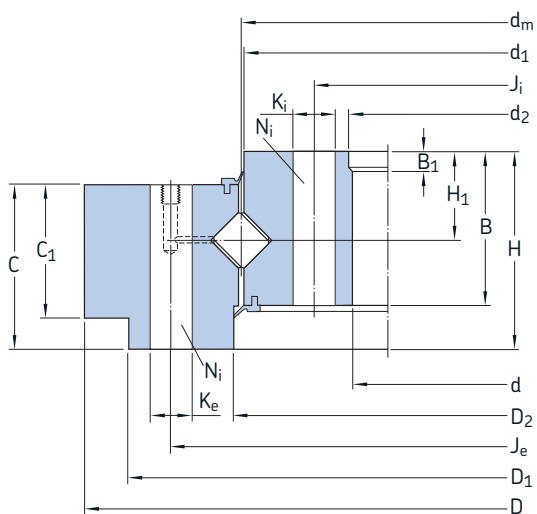
4

| Designation | De- sign | Attachment bolt holes | | | | | Gear Dimensions | | | | | Permissible tooth forces | | Basic load ratings | | Static limiting load diagram | |
|-------------------|-------------|-----------------------|---------|---------------------------|---------|----------|-----------------|------------------------------|--------|----------|-----|--------------------------|-----------------------------------|--------------------|-----------------|------------------------------|----------------|
| | | Outer ring | | Inner ring | | | N _i | d ₀ ¹⁾ | m | z | x·m | k·m | T _{normal} ²⁾ | T _{max} | axial dynamic C | static C ₀ | Raceway curves |
| - | - | mm | - | mm | - | mm | - | mm | - | mm | kN | kN | kN | kN | - | - | |
| RKS. 312410101001 | 3 | 1 276 | 22 | 34 ³⁾ 1 157 | M 20 36 | 1 100 | 10 | 110 | 0,666 | 0,39 169 | 311 | 609 | 2 930 | r6 | b6 | | |
| RKS. 312410102001 | 3 | 1 276 | 22 | 34 ³⁾ 1 157 | M 20 36 | 1 100 | 10 | 110 | 0,666 | 0,39 169 | 311 | 609 | 2 930 | r6 | b6 | | |
| RKS. 312290202001 | 3 | 1 276 | 22 | 36 1 157 | M 20 36 | 1 100 | 10 | 110 | 0 | 1 125 | 250 | 679 | 3 380 | r7 | b7 | | |
| RKS. 313500404001 | 4 | 1 312 | 22 | 60 ³⁾ 1 150 | 22 60 | 1 064 | 14 | 75 | 7 | 1,4 283 | 486 | 880 | 4 190 | r8 | b8 | | |
| RKS. 314310101001 | 5 | 1 403,35 | 24 | 33 ³⁾ 1 149,35 | 24 36 | 1 054,61 | 10,16 | 104 | -1,016 | 2,24 160 | 294 | 1 050 | 4 020 | r9 | b9 | | |
| RKS. 413290203001 | 3 | 1 442 | 26 | 36 1 274 | M 24 36 | 1 190 | 14 | 85 | 0 | 1,4 231 | 424 | 842 | 4 680 | r10 | b10 | | |
| RKS. 512080101001 | 6 | 2 262 | M 14 36 | 2 142 | M 14 36 | 2 100 | 5 | 420 | 0 | 0,5 31 | 61 | 838 | 5 680 | r11 | b11 | | |

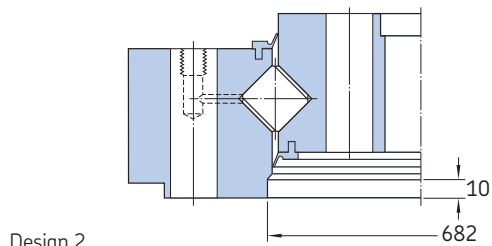
¹⁾ Gear pitch circle diameter
²⁾ Normalized gear teeth; calculated for 3 000 000 operating cycles
³⁾ Attachment bolt holes not equally spaced

Customized crossed cylindrical roller slewing bearings without a gear

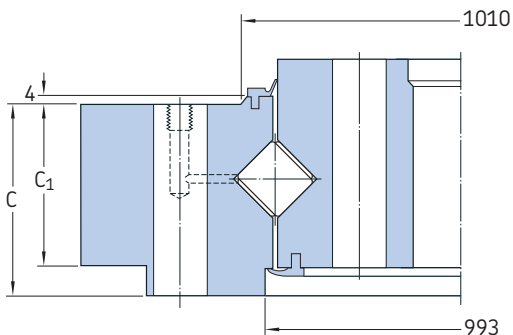
d_m 310 – 980 mm



Design 1

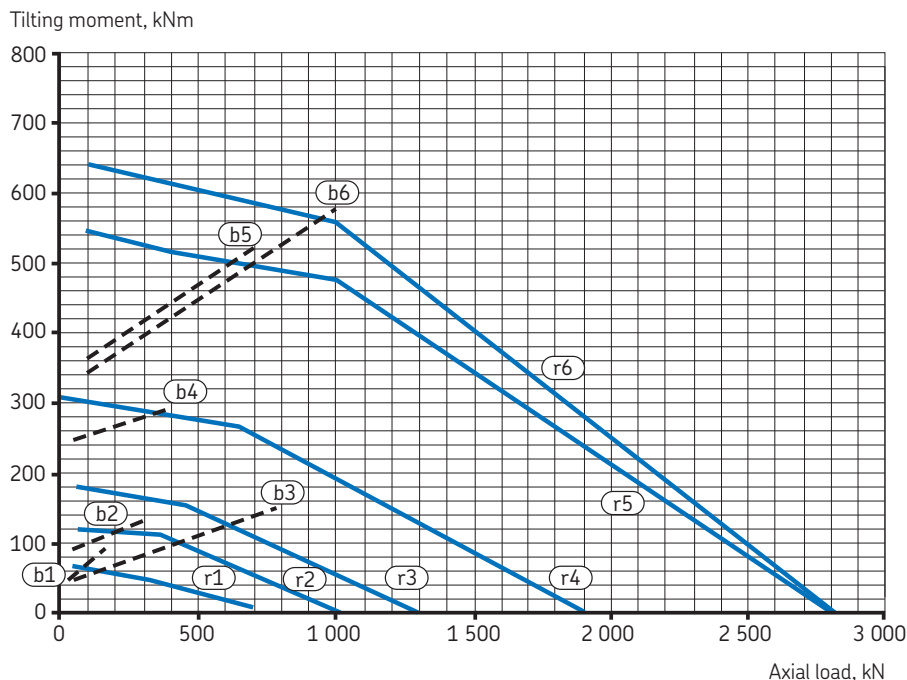


Design 2



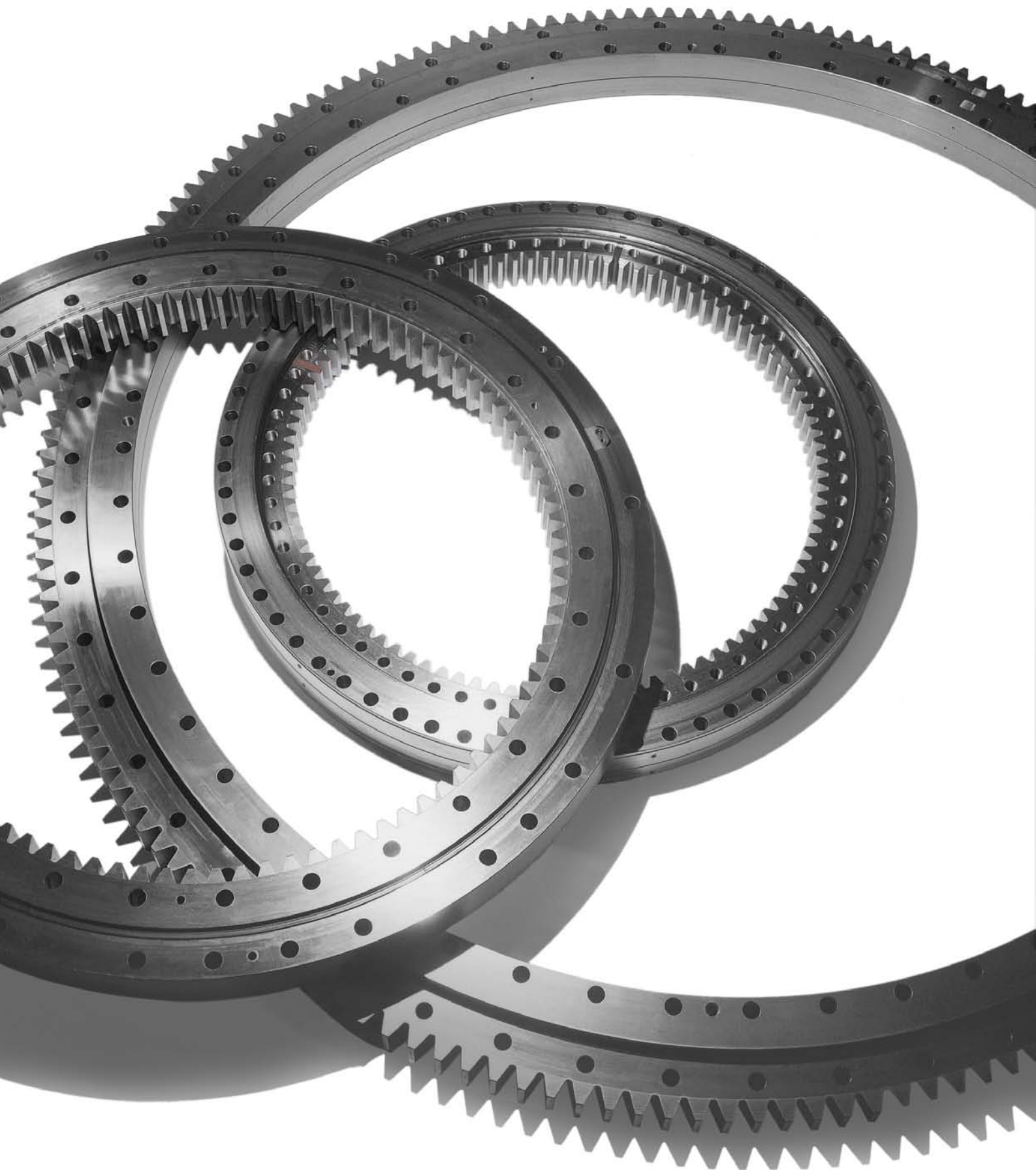
Design 3

| Dimensions | | | | | | | | | Outer ring | Inner ring | Mass | Designation | | |
|-----------------|-------|-----|-----|-------|-------|-------|----|-------|------------|------------|------|-------------|------|------------------|
| Slewing bearing | | | | | | | | | | | | | | |
| d_m | D | d | H | H_1 | D_1 | D_2 | C | C_1 | d_1 | d_2 | B | B_1 | kg | – |
| mm | | | | | mm | | | mm | | | | | | |
| 310 | 403,5 | 233 | 55 | 28 | 379 | 312 | 43 | 37 | 308 | 235 | 45 | 10 | 25,0 | RKS.921155203001 |
| 474 | 589,5 | 378 | 75 | 37 | 567 | 476 | 60 | 40 | 472 | 384 | 58 | 10 | 64,0 | RKS.121405202001 |
| 574 | 695 | 477 | 77 | 35 | 671 | 576 | 64 | 42 | 572 | 480 | 57 | 9 | 84,0 | RKS.121395101002 |
| 675 | 816 | 571 | 90 | 42 | 781 | 677 | 73 | 65 | 673 | 574 | 67 | 10 | 125 | RKS.122295101002 |
| 823 | 979 | 715 | 100 | 47 | 935 | 825 | 83 | 67 | 821 | 718 | 84 | 10 | 195 | RKS.223475101001 |
| 980 | 1 144 | 868 | 100 | 50 | 1 088 | 982 | 81 | 68 | 978 | 870 | 88 | 10 | 230 | RKS.222605101001 |



| Designation | De- sign | Attachment bolt holes Outer ring | | | Inner ring | | | Basic load ratings | | Static limiting load diagram | |
|------------------|-------------|-------------------------------------|-------|------------------|------------|-------|------------------|-----------------------|-----------------|---------------------------------|----------------|
| | | J_e | K_e | N_e | J_i | K_i | N_i | axial dynamic C | static C_0 | Raceway curves | Bolt curves |
| - | - | mm | - | - | mm | - | - | kN | - | - | - |
| RKS.921155203001 | 1 | 358 | 13 | 24 | 259 | 13 | 28 | 245 | 697 | r1 | b1 |
| RKS.121405202001 | 1 | 540 | 16 | 36 | 410 | 16 | 36 | 304 | 1 050 | r2 | b2 |
| RKS.121395101002 | 1 | 640 | 18 | 36 | 508 | 18 | 36 | 339 | 1 280 | r3 | b3 |
| RKS.122295101002 | 2 | 753 | 22 | 36 | 604 | 22 | 36 | 495 | 1 880 | r4 | b4 |
| RKS.223475101001 | 1 | 893 | 22 | 36 | 753 | 22 | 36 | 709 | 2 790 | r5 | b5 |
| RKS.222605101001 | 3 | 1 050 | 22 | 28 ¹⁾ | 910 | 22 | 26 ¹⁾ | 607 | 2 740 | r6 | b6 |

¹⁾ Attachment bolt holes not equally spaced



Product index

The product range listed in this catalogue includes about 140 single row four-point contact ball slewing bearings and single row crossed cylindrical roller slewing bearings. In order to enable the user to quickly find the technical data for a product known only by its designation, the

products are listed by designation in alphanumerical order in this index. Each entry lists the page number on which the product can be found and gives a brief description of the product.

| Designation | Product | Page |
|--------------------|---|------|
| RKS.060.20.0414 | Medium size four-point contact ball slewing bearing without a gear | 74 |
| RKS.060.20.0544 | Medium size four-point contact ball slewing bearing without a gear | 74 |
| RKS.060.20.0644 | Medium size four-point contact ball slewing bearing without a gear | 74 |
| RKS.060.20.0744 | Medium size four-point contact ball slewing bearing without a gear | 74 |
| RKS.060.20.0844 | Medium size four-point contact ball slewing bearing without a gear | 74 |
| RKS.060.20.0944 | Medium size four-point contact ball slewing bearing without a gear | 74 |
| RKS.060.20.1094 | Medium size four-point contact ball slewing bearing without a gear | 74 |
| RKS.060.25.1204 | Medium size four-point contact ball slewing bearing without a gear | 76 |
| RKS.060.25.1314 | Medium size four-point contact ball slewing bearing without a gear | 76 |
| RKS.060.25.1424 | Medium size four-point contact ball slewing bearing without a gear | 76 |
| RKS.060.25.1534 | Medium size four-point contact ball slewing bearing without a gear | 76 |
| RKS.060.25.1644 | Medium size four-point contact ball slewing bearing without a gear | 76 |
| RKS.060.25.1754 | Medium size four-point contact ball slewing bearing without a gear | 76 |
| RKS.060.30.1904 | Medium size four-point contact ball slewing bearing without a gear | 76 |
| RKS.061.20.0414 | Medium size four-point contact ball slewing bearing with an external gear | 66 |
| RKS.061.20.0544 | Medium size four-point contact ball slewing bearing with an external gear | 66 |
| RKS.061.20.0644 | Medium size four-point contact ball slewing bearing with an external gear | 66 |
| RKS.061.20.0744 | Medium size four-point contact ball slewing bearing with an external gear | 66 |
| RKS.061.20.0844 | Medium size four-point contact ball slewing bearing with an external gear | 66 |
| RKS.061.20.0944 | Medium size four-point contact ball slewing bearing with an external gear | 66 |
| RKS.061.20.1094 | Medium size four-point contact ball slewing bearing with an external gear | 66 |
| RKS.061.25.1204 | Medium size four-point contact ball slewing bearing with an external gear | 68 |
| RKS.061.25.1314 | Medium size four-point contact ball slewing bearing with an external gear | 68 |
| RKS.061.25.1424 | Medium size four-point contact ball slewing bearing with an external gear | 68 |
| RKS.061.25.1534 | Medium size four-point contact ball slewing bearing with an external gear | 68 |
| RKS.061.25.1644 | Medium size four-point contact ball slewing bearing with an external gear | 68 |
| RKS.061.25.1754 | Medium size four-point contact ball slewing bearing with an external gear | 68 |
| RKS.061.30.1904 | Medium size four-point contact ball slewing bearing with an external gear | 68 |
| RKS.062.20.0414 | Medium size four-point contact ball slewing bearing with an internal gear | 70 |
| RKS.062.20.0544 | Medium size four-point contact ball slewing bearing with an internal gear | 70 |
| RKS.062.20.0644 | Medium size four-point contact ball slewing bearing with an internal gear | 70 |
| RKS.062.20.0744 | Medium size four-point contact ball slewing bearing with an internal gear | 70 |
| RKS.062.20.0844 | Medium size four-point contact ball slewing bearing with an internal gear | 70 |
| RKS.062.20.0944 | Medium size four-point contact ball slewing bearing with an internal gear | 70 |
| RKS.062.20.1094 | Medium size four-point contact ball slewing bearing with an internal gear | 70 |
| RKS.062.25.1204 | Medium size four-point contact ball slewing bearing with an internal gear | 72 |
| RKS.062.25.1314 | Medium size four-point contact ball slewing bearing with an internal gear | 72 |
| RKS.062.25.1424 | Medium size four-point contact ball slewing bearing with an internal gear | 72 |
| RKS.062.25.1534 | Medium size four-point contact ball slewing bearing with an internal gear | 72 |
| RKS.062.25.1644 | Medium size four-point contact ball slewing bearing with an internal gear | 72 |
| RKS.062.25.1754 | Medium size four-point contact ball slewing bearing with an internal gear | 72 |
| RKS.062.30.1904 | Medium size four-point contact ball slewing bearing with an internal gear | 72 |
| RKS.11128 0101 002 | Customized crossed cylindrical roller slewing bearing with an internal gear | 108 |
| RKS.12139 0101 002 | Customized crossed cylindrical roller slewing bearing with an external gear | 102 |
| RKS.12139 5101 002 | Customized crossed cylindrical roller slewing bearing without a gear | 112 |
| RKS.12140 0202 001 | Customized crossed cylindrical roller slewing bearing with an external gear | 102 |
| RKS.12140 5202 001 | Customized crossed cylindrical roller slewing bearing without a gear | 112 |
| RKS.12229 0101 002 | Customized crossed cylindrical roller slewing bearing with an external gear | 102 |
| RKS.12229 5101 002 | Customized crossed cylindrical roller slewing bearing without a gear | 112 |

| Designation | Product | Page |
|-------------------|---|------|
| RKS.222605101001. | Customized crossed cylindrical roller slewing bearing without a gear | 112 |
| RKS.223475101001. | Customized crossed cylindrical roller slewing bearing without a gear | 112 |
| RKS.23 0411. | Light series four-point contact ball slewing bearing without a gear. | 64 |
| RKS.23 0541. | Light series four-point contact ball slewing bearing without a gear. | 64 |
| RKS.23 0641. | Light series four-point contact ball slewing bearing without a gear. | 64 |
| RKS.23 0741. | Light series four-point contact ball slewing bearing without a gear. | 64 |
| RKS.23 0841. | Light series four-point contact ball slewing bearing without a gear. | 64 |
| RKS.23 0941. | Light series four-point contact ball slewing bearing without a gear. | 64 |
| RKS.23 1091. | Light series four-point contact ball slewing bearing without a gear. | 64 |
| RKS.302070202001. | Customized four-point contact ball slewing bearing with an external gear | 80 |
| RKS.312290202001. | Customized crossed cylindrical roller slewing bearing with an internal gear | 110 |
| RKS.312410101001. | Customized crossed cylindrical roller slewing bearing with an internal gear | 110 |
| RKS.312410102001. | Customized crossed cylindrical roller slewing bearing with an internal gear | 110 |
| RKS.313500404001. | Customized crossed cylindrical roller slewing bearing with an internal gear | 110 |
| RKS.314310101001. | Customized crossed cylindrical roller slewing bearing with an internal gear | 110 |
| RKS.322300101001. | Customized crossed cylindrical roller slewing bearing with an external gear | 104 |
| RKS.324012324001. | Customized crossed cylindrical roller slewing bearing with an external gear | 104 |
| RKS.413290203001. | Customized crossed cylindrical roller slewing bearing with an internal gear | 112 |
| RKS.425060101001. | Customized crossed cylindrical roller slewing bearing with an external gear | 108 |
| RKS.425060201001. | Customized crossed cylindrical roller slewing bearing with an external gear | 108 |
| RKS.425060621001. | Customized crossed cylindrical roller slewing bearing with an external gear | 108 |
| RKS.427020101001. | Customized crossed cylindrical roller slewing bearing with an external gear | 108 |
| RKS.427050403001. | Customized crossed cylindrical roller slewing bearing with an external gear | 108 |
| RKS.512080101001. | Customized crossed cylindrical roller slewing bearing with an internal gear | 110 |
| RKS.900155101001. | Customized four-point contact ball slewing bearing without a gear. | 82 |
| RKS.901175101001. | Customized four-point contact ball slewing bearing without a gear. | 80 |
| RKS.921150303001. | Customized crossed cylindrical roller slewing bearing with an external gear | 102 |
| RKS.921155203001. | Customized crossed cylindrical roller slewing bearing without a gear | 112 |
| RKS.951145101001. | Customized four-point contact ball slewing bearing without a gear. | 82 |

© SKF and HYDROCAM are registered trademarks of the SKF Group.

© SKF Group 2015

The contents of this publication are the copyright of the publisher and may not be reproduced (even extracts) unless prior written permission is granted. Every care has been taken to ensure the accuracy of the information contained in this publication but no liability can be accepted for any loss or damage whether direct, indirect or consequential arising out of the use of the information contained herein.

PUB BU/P2 06115/2 EN · January 2015

