

# PRODOTTI OT SEALS

PRODUCTS - PRODUITS





# INDICE COSTRUTTORI OEM INDEX

CARRARO	02
ANTONIO CARRARO	05
CATERPILLAR	05
CHALLENGER	05
CLAAS	06
CNH (CASE INTERNATIONAL)	08
CNH (FIAT HITACHI)	08
CNH (NEW HOLLAND)	09
DANA ITALIA	13
DEUTZ-FAHR	15
FENDT	16
FORD AGRI	16
FIAT ALLIS	17
FIAT FORK LIFT	17
GOLDONI	18
GRAZIANO TRASMISSIONI AGRI	19
HÜRLIMANN	20
JCB	21
JOHN DEERE	21
KOMATSU	22
KUBOTA	23
LAMBORGHINI AGRI	23
LANDINI	25
LAVERDA	27
MANITOU	27
MASCHIO	28
MASSEY FERGUSON	29
MC CORMICK	31
MERLO	31
NISSAN FORK LIFT	32
RENAULT AGRI	32
RUGGERINI ENGINE	32
SAME	33
VALTRA (VALMET)	35
VM ENGINE	36
VOLVO CONSTRUCTION	36
ZETOR	36
ZF AGRI	36

# CARRARO

Codice Costruttore	TOOL TTO	Tipologia	Dimensioni	Materiale
025000	C503	TC	20x35x7	NBR
025107	C004	TC	20x30x7	NBR
025109	C529	SC	25x35x7	NBR
025111	C210	TC	22x32x7	NBR
025115	C509	SC	22x35x7	NBR
025118	C001	TC	15x30x7	NBR
025121	C543	TC	26x35x7	NBR
025122	C830	SC	28x38x7	NBR
025123	E206	TC	25x52x7	NBR
025126	D772	TC	28x47x7	NBR
025144	D546	TC	32x45x7	NBR
025145	B805	TC	16x28x7	NBR
025146	D708	TC	35x47x7	NBR
025153	E064	SC	35x50x10	NBR
025156	E626	SC	35x56x10	NBR
025163	F617	SC	35x72x10	NBR
025165	F176	SC	36x62x7	NBR
025176	B880	SC	18x28x7	NBR
025184	E261	SC	40x52x7	NBR
025186	E563	TC	40x55x7	NBR
025187	F185	SC	40x62x10	NBR
025189	F1135	TC	40x62x7	NBR
025191	F6105	SC	40x72x7	NBR
025192	F6187	TC	40x72x7	NBR
025193	F666	SC	40x72x10	NBR
025203	F231	SC	45x65x8	NBR
025207	F3106	TC	43x66x10	FPM
025210	G0104	SC	45x80x10	NBR
025216	F262	SC	48x65x10	NBR
025218	F208	TC	45x65x10	NBR
025226	F686	TC	50x72x8	NBR
025228	F698	SC	50x72x10	NBR
025230	G017	SC	50x80x10	NBR
025235	C5107	SC	24x35x7	NBR
025240	C772	SC	24x37x7	NBR
025246	F530	SC	55x70x8	NBR
025249	G091	SC	55x80x10	NBR
025266	D259	TC	25x42x7	NBR
025267	G018	SC	60x80x10	NBR
025269	G517	SC	60x90x10	NBR
025270	H062	TC	60x100x13	NBR
025278	G521	TC	65x90x10	NBR
025287	H079	SC	65x100x10	NBR
025294	G2112	SC	70x85x8	NBR
025296	H042	TC	70x100x10	NBR
025305	H203	TC	75x110x13	NBR
025306	G720	TC	75x95x10	NBR
025308	D734	SC	32x47x7	NBR
025311	E0139	SC	38x50x7	NBR
025315	H009	SC	80x100x10	NBR

**CARRARO**

Codice Costruttore	TOOL TTO	Tipologia	Dimensioni	Materiale
025317	E517	SC	40x55x7	NBR
025323	F023	SC	40x60x10	NBR
025335	H616	TC	100x130x13	NBR
025343	H818	TC	120x140x13	NBR
025350	F1273	TC	42x62x8	NBR
025351	E233	TC	35x52x7	NBR
025353	F1136	TC	40x62x10	NBR
025354	G002	TC	60x80x10	NBR
025355	F6207	TC	48x72x8	NBR
025359	H248	TC	80x110x10	NBR
025360	F645	TC	55x72x10	NBR
025371	G527	TC	60x90x8	NBR
025372	E502	TC	35x55x11	NBR
025373	G219	SC	65x85x10	NBR
025376	H218	TC	85x110x12	NBR
025377	G503	TC	70x90x10	NBR
025392	F647	SC	45x72x8	NBR
025396	G551	SC	60x90x8	NBR
025399	D740	SC	36x47x7	NBR
025484	F214	TC	50x65x8	NBR
025485	F743	TC	60x75x8	NBR
025486	E232	SC	38x52x7	NBR
025487	G025	SC	60x80x8	NBR
025488	E0128	TC	33x50x10	NBR
025492	G208	SC	45x85x10	NBR
025499	G228	TC	65x85x10	NBR
025539	C728	SC	26x37x7	NBR
025541	G5189	TCW	65x90x10	FPM
025542	F6187	TC	40x72x7	FPM
025543	H6108	TA2	100x130x13	NBR
025544	C514	TC	24x35x7	FPM
025588	E846	TC	45x58x7	NBR
025593	C705	SC	27x37x7	NBR
025791	G212	TC	70x85x8	NBR
025799	H411	SC	100x120x12	NBR
026619	H004	TC	80x100x10	NBR
047700	W555	UA16	130x160x14,5/16	NBR
047701	W402	UA16	150x180x14,5/16	NBR
047702	W402	UA16	150x180x14,5/16	NBR
047703	W555	UA16	130x160x14,5/16	NBR
047710	W457	UA03	178x205x17	NBR
116723	W1043	TAFM	42x62x14	NBR
116825	W182	TAFM	120x150x15	NBR
118614	W687	TAFM	80x110x16	NBR
118675	W1006	TAFM	40x55x10	NBR
118676	W603	TAFM	100x130x16	NBR
118678	W503	TAFM	145x170x16	NBR
119768	H0276	TAFM	75x102x14	NBR
119990	W611	TAFM	65x92x14	NBR
123208	W1028	TAFM	45x65x12	NBR

**CARRARO**

Codice Costruttore	TOOL TTO	Tipologia	Dimensioni	Materiale
125944	W493	DAPU	35x52x16	NBR
126323	W555	UA16	130x160x14,5/16	NBR
126325	W457	UA03	178x205x17	NBR
126403	W1054	DAPU	40x60x18,5	NBR
128544	G720	TC	75x95x10	NBR
128811	F210	TC	48x65x10	FPM
128814	G0169	TB2	63x80x12	NBR
130171	W623	UA16	35x60x13/14,5	NBR
132742	W963	UA16	48x75x14/17	NBR
133267	W402	UA16	150x180x14,5/16	NBR
133431	W556	UA16	85x110x13/14,5	ACM
133431	W556	UA16	85x110x13/14,5	NBR
134363	W493	DAPU	35x52x16	FPM
134375	F004	TC	40x60x10	NBR
134883	H005	TB2	75x100x13	NBR
134892	G529	TB2	65x90x13	NBR
139101	W1055	DAPU	42x62x21,5	NBR
139279	W555	UA16	130x160x14,5/16	NBR
139767	H672	SC	90x130x12	NBR
140497	W1049	UA16	190x220x16/18	NBR
141045	W410	DAPU	70x90x16,5	NBR
142652	W400	DAWU	45x65x25	NBR
146668	W401	UA16	56x80x13/14,5	NBR
149380	W555	UA16	130x160x14,5/16	NBR
149702	W402	UA16	150x180x14,5/16	NBR
225218	F208	TC	45x65x10	NBR
333626	H411	SC	100x120x12	NBR
418675	W1006	TAFM	40x55x10	NBR
425107	C004	TC	20x30x7	NBR
425218	F208	TC	45x65x10	NBR
425354	G002	TC	60x80x10	NBR
425382	H003	TC	80x100x13	NBR
528140	B464	VC	18x24x4	NBR

## ANTONIO CARRARO

Codice Costruttore	TOOL TTO	Tipologia	Dimensioni	Materiale
6077507	D259	TC	25x42x7	NBR
6077508	D702	TC	25x47x7	NBR
6077522	E206	TC	25x52x7	NBR
6077524	H0182	SC	72x100x10	NBR
6077536	F635	TC	35x72x10	NBR
6077556	D741	TC	20x47x7	NBR
6077583	F1131	TC	35x62x7	NBR
47210002	F028	TC	45x60x8	NBR
47210003	G527	TC	60x90x8	NBR
47210006	G059	TC	40x80x10	NBR
47210019	H218	TC	85x110x12	NBR
47210020	C210	TC	22x32x7	NBR
47210026	E233	TC	35x52x7	NBR
47210029	G014	TC	50x80x8	NBR
47210034	F745	TC	45x75x10	NBR
47210036	D7162	TC	30x47x7	NBR

## CATERPILLAR

Codice Costruttore	TOOL TTO	Tipologia	Dimensioni	Materiale
0960854	G769	VAY	80x95x4	NBR
1404743	E0183	VAY	40x50x4	NBR

## CHALLENGER

Codice Costruttore	TOOL TTO	Tipologia	Dimensioni	Materiale
053850R1	W402	UA16	150x180x14,5/16	NBR

**CLAAS**

Codice Costruttore	TOOL TTO	Tipologia	Dimensioni	Materiale
02110340	G292	TC	60x85x8	NBR
02110870	G771	SC	65x95x10	NBR
02118040	F1131	TC	35x62x7	NBR
02121130	G583	SC	50x90x10	NBR
02123260	F635	TC	35x72x10	NBR
02123820	H362	TC	75x115x10	NBR
02123930	G573	SC	75x90x8	NBR
02123970	H569	TA2	100x125x13	NBR
02124360	H020	SC	78x100x10	NBR
02125120	H248	TC	80x110x10	NBR
02125760	F686	TC	50x72x8	NBR
02126400	H613	SC	100x130x12	NBR
02127370	G075	TC	35x80x10	NBR
02129270	E206	TC	25x52x7	NBR
02132651	W556	UA16	85x110x13/14,5	FPM
02133070	G053	TC	54x81x10	NBR
02133261	W556	UA16	85x110x13/14,5	FPM
02139350	E603	TC	40x56x8	NBR
02140100	F765	SC	50x75x10	NBR
02140110	H347	SC	80x115x10	NBR
02140120	K069	SC	115x150x12	NBR
02140360	G2233	TB2	70x85x8	NBR
02141970	G0130	SA2	35x80x13	NBR
02142060	H213	SC	85x110x12	NBR
02155450	E0109	SC	36x50x7	NBR
02157880	G507	SC	70x90x10	NBR
02158880	F743	TC	60x75x8	NBR
02159710	H150	SC	85x105x13	NBR
02226780	G002	TC	60x80x10	NBR
02332000	F422	TC	48x68x10	NBR
02332280	F157	SC	30x62x7	NBR
02332290	G503	TC	70x90x10	NBR
02332620	F522	TC	55x70x8	NBR
02336400	S257	SA2	30x72x10	NBR
02336750	F153	SC	40x62x7	NBR
02338240	F159	TC	30x62x7	NBR
02338361	H231	SC	80x110x10	NBR
02338370	F645	TC	55x72x10	NBR
02339320	H004	TC	80x100x10	NBR
02339500	H475	SC	95x120x12	NBR
02348860	F641	SC	50x72x8	NBR
02357240	F1462	TB2	35x62x12	NBR
02371201	C004	TC	20x30x7	NBR
02371212	F682	TC	48x72x12	NBR
02371221	F620	SC	45x72x10	NBR
02371260	F669	SA2	35x72x12	NBR
02371270	F1128	SB2	35x62x10	NBR
02378910	F152	TB2	40x62x12	NBR
02382772	G0117	TC	55x80x8	NBR
02384890	D7162	TC	30x47x7	NBR



**CLAAS**

Codice Costruttore	TOOL TTO	Tipologia	Dimensioni	Materiale
02385130	G0130	SA2	35x80x13	NBR
02389290	F684	SC	42x72x8	NBR
02393650	F694	TC	45x72x8	NBR
02440750	F214	TC	50x65x8	NBR
02446340	H426	SC	85x120x12	NBR
03215560	W1043	TAFM	42x62x14	NBR
03240590	W1028	TAFM	45x65x12	NBR
03495270	W1055	DAPU	42x62x21,5	NBR
09540160	D528	SC	35x45x7	NBR
09630110	F154	SC	45x62x8	NBR
600104667	W1054	DAPU	40x60x18,5	NBR
6000101420	W1006	TAFM	40x55x10	NBR
6000104501	F530	SC	55x70x8	NBR
6000104509	W963	UA16	48x75x14/17	NBR
6000105287	W555	UA16	130x160x14,5/16	NBR
6000146705	F522	TC	55x70x8	NBR
6000147703	W555	UA16	130x160x14,5/16	NBR
6005004452	F743	TC	60x75x8	NBR
6005030587	W402	UA16	150x180x14,5/16	NBR
7700012311	H818	TC	120x140x13	NBR
7700013479	H0182	SC	72x100x10	NBR
7700660447	H654	TC	105x130x12	NBR
7700670050	H616	TC	100x130x13	NBR
7700673020	F872	TC	55x76x12	NBR
7700695049	F6105	SC	40x72x7	NBR
7701018275	F640	TC	40x72x12	NBR
7701018636	F1231	TC	35x62x12	NBR

## CASE INTERNATIONAL (CNH)

Codice Costruttore	TOOL TTO	Tipologia	Dimensioni	Materiale
87415728	W402	UA16	150x180x14,5/16	NBR
100529A1	W1028	TAFM	45x65x12	NBR
196164C1	W1043	TAFM	42x62x14	NBR
247546A1	W402	UA16	150x180x14,5/16	NBR
300167A1	W963	UA16	48x75x14/17	NBR
3059797R92	H4115	TA2	90x120x13	NBR
311569A1	W555	UA16	130x160x14,5/16	NBR
3131687R1	D708	TC	35x47x7	NBR
3131687R2	D708	TC	35x47x7	NBR
3140610R1	F2251	TB2	45x65x10	NBR
3142022R91	E243	TC	40x52x7	NBR
3142404R91	G213	TC	45x85x10	NBR
3142410R91	G059	TC	40x80x10	NBR
3142411R91	G059	TC	40x80x10	NBR
3145168R91	C086	SC	16x30x7	NBR
3146754R1	F2251	TB2	45x65x10	NBR
3147259R91	H306	TB2	90x115x13	NBR
3221942R1	G213	TC	45x85x10	NBR
3229974R1	C506	TC	22x35x7	NBR
399798R91	G439	TB2	69,85x88,9x9,5	NBR
713761R91	E229	SC	35x52x10	NBR
751080R93	G0104	SC	45x80x10	NBR
786529R91	F231	SC	45x65x8	NBR
K262143	W493	DAPU	35x52x16	FPM
K262144	W687	TAFM	80x110x16	NBR

## FIAT HITACHI (CNH)

Codice Costruttore	TOOL TTO	Tipologia	Dimensioni	Materiale
4037721	E586	VAY	45x55x4	NBR
4235203	G1116	TB2	60x82x12	NBR
76037778	F778	VAY	60x75x4	NBR
76037996	H340	VAY	100x115x4	NBR
76040608	G522	TB2	70x90x10	NBR

**NEW HOLLAND (CNH)**

Codice Costruttore	TOOL TTO	Tipologia	Dimensioni	Materiale
23295	H809	SC	105x140x12	NBR
23349	B832	SC	16x28x7	NBR
23362	G062	SC	48x80x10	NBR
23467	G015	TC	40x80x12	NBR
23480	E261	SC	40x52x7	NBR
23497	G771	SC	65x95x10	NBR
23670	F620	SC	45x72x10	NBR
23912	C046	SC	20x30x5	NBR
220017	H213	SC	85x110x12	NBR
220021	H031	TC	75x100x10	NBR
300906	F751	SC	60x75x8	NBR
357923	F1127	SC	35x62x7	NBR
375400	H009	SC	80x100x10	NBR
378273	E221	SC	30x52x7	NBR
381856	K217	SC	130x160x12	NBR
381858	G0275	TC	58x80x8	NBR
388116	F153	SC	40x62x7	NBR
412442	G025	SC	60x80x8	NBR
417722	F157	SC	30x62x7	NBR
450139	M001	SC	170x200x15	NBR
535911	G0101	SC	50x80x8	NBR
536079	G521	TC	65x90x10	NBR
546022	E221	SC	30x52x7	NBR
546690	F1136	TC	40x62x10	NBR
550589	F6194	TB2	45x72x10	NBR
581968	G522	TB2	70x90x10	NBR
588693	F193	SC	38x62x10	NBR
590737	G037	TC	55x80x10	NBR
590851	H613	SC	100x130x12	NBR
741654	G5197	SB2	65x90x10	NBR
746389	B839	SC	17x28x7	NBR
750298	H271	SC	90x110x12	NBR
767755	D014	TC	25x40x7	NBR
4051364	F262	SC	48x65x10	NBR
4051365	G091	SC	55x80x10	NBR
4589556	F6143	SC	55x72x10	NBR
4590419	F183	TB2	40x62x10	ACM
5104231	K835	TA2	160x190x15	NBR
5105330	G547	TC	55x90x10	ACM
5105331	G522	TB2	70x90x10	NBR
5105350	G547	TC	55x90x10	ACM
5105351	G507	SC	70x90x10	NBR
5105549	D7347	SC	35x47x7	NBR
5105887	C542	SB2	25x35x7	NBR
5105891	G5193	SB2	68x90x10	NBR
5105903	F5127	TB2	55x70x8	NBR
5105923	F126	SC	42x62x10	NBR
5105932	F106	TC	50x62x7	NBR
5105952	F1136	TC	40x62x10	NBR
5105989	E054	SC	30x50x10	NBR

# NEW HOLLAND (CNH)

Codice Costruttore	TOOL TTO	Tipologia	Dimensioni	Materiale
5105993	E256	TC	32x52x10	NBR
5106061	H6108	TA2	100x130x13	NBR
5106229	G564	TB2	68x90x10	ACM
5106867	G0115	TB2	50x80x10	NBR
5107812	G5197	SB2	65x90x10	NBR
5107816	F262	SC	48x65x10	NBR
5107903	H003	TC	80x100x13	NBR
5107905	F6174	SC	42x72x10	NBR
5107906	G5197	SB2	65x90x10	NBR
5107909	K207	TC	130x160x15	NBR
5108149	C244	SC	22x32x7	NBR
5108159	H411	SC	100x120x12	NBR
5108986	G037	TC	55x80x10	ACM
5109074	F6194	TB2	45x72x10	NBR
5109079	H828	SC	115x140x12	NBR
5110485	D520	SC	32x45x7	NBR
5110487	D520	SC	32x45x7	NBR
5111414	G522	TB2	70x90x10	NBR
5111518	G0115	TB2	50x80x10	NBR
5112246	G547	TC	55x90x10	NBR
5112290	G564	TB2	68x90x10	ACM
5112294	D260	SC	32x42x7	ACM
5116701	E502	TC	35x55x11	NBR
5116707	H4115	TA2	90x120x13	NBR
5119203	G037	TC	55x80x10	ACM
5119215	G0322	SB2	50x80x8	NBR
5119765	G025	SC	60x80x8	ACM
5123205	W603	TAFM	100x130x16	NBR
5123370	W687	TAFM	80x110x16	NBR
5124206	H042	TC	70x100x10	NBR
5124207	F6187	TC	40x72x7	NBR
5125650	F210	TC	48x65x10	NBR
5125897	G015	TC	40x80x12	ACM
5129003	G547	TC	55x90x10	ACM
5131916	W176	TAFM	85x110x16	NBR
5135294	F745	TC	45x75x10	NBR
5135387	W814	TAFM	90x120x13	NBR
5135989	W182	TAFM	120x150x15	NBR
5136002	F1136	TC	40x62x10	NBR
5150370	G075	TC	35x80x10	ACM
5164500	G569	TB2	50x90x10	ACM
5169970	W611	TAFM	65x92x14	NBR
5172329	W1008	DAPU	47x65x16,5	NBR
5177709	W1055	DAPU	42x62x21,5	NBR
5178141	W1049	UA16	190x220x16/18	NBR
5183488	W1049	UA16	190x220x16/18	NBR
5183844	W1049	UA16	190x220x16/18	NBR
5184118	W1055	DAPU	42x62x21,5	NBR
5184124	W1008	DAPU	47x65x16,5	NBR
5194258	W457	UA03	178x205x17	NBR

# NEW HOLLAND (CNH)

Codice Costruttore	TOOL TTO	Tipologia	Dimensioni	Materiale
8294816	B806	TC	17x28x7	FPM
9817522	G021	SC	40x80x10	NBR
9838315	H432	SC	100x120x10	NBR
9926528	E229	SC	35x52x10	NBR
9955021	G017	SC	50x80x10	NBR
9955022	F620	SC	45x72x10	NBR
9955818	B805	TC	16x28x7	NBR
9955819	F214	TC	50x65x8	NBR
9967701	W457	UA03	178x205x17	NBR
9968001	W1043	TAFM	42x62x14	NBR
10014890	F147	SC	30x62x10	NBR
27342232	F1136	TC	40x62x10	NBR
27416542	G5197	SB2	65x90x10	NBR
28106922	F257	SC	45x65x10	NBR
28430752	H014	SC	75x100x10	NBR
28553382	C244	SC	22x32x7	NBR
29740112	C228	SC	15x32x7	NBR
29740482	E054	SC	30x50x10	NBR
29740522	D520	SC	32x45x7	NBR
29740602	E064	SC	35x50x10	NBR
40000150	H4115	TA2	90x120x13	NBR
40000380	E5232	SB2	35x55x12	NBR
40000382	E5232	SB2	35x55x12	NBR
40000521	G0167	TB2	55x80x10	ACM
40000630	H0256	SB2	75x100x10	ACM
40000780	E755	SB2	40x57,15x10	NBR
40000860	G547	TC	55x90x10	ACM
40000881	B881	TB2	17x28x7	NBR
40001280	F183	TB2	40x62x10	ACM
40001320	G0115	TB2	50x80x10	ACM
40001330	E054	SC	30x50x10	NBR
40001570	F6194	TB2	45x72x10	NBR
40001580	G0115	TB2	50x80x10	ACM
40001821	E0139	SC	38x50x7	NBR
40002170	F5127	TB2	55x70x8	NBR
40002320	G522	TB2	70x90x10	NBR
40002330	H6108	TA2	100x130x13	NBR
40002340	H809	SC	105x140x12	NBR
40002350	F183	TB2	40x62x10	ACM
40002520	F126	SC	42x62x10	NBR
40002540	F183	TB2	40x62x10	ACM
40002590	C542	SB2	25x35x7	NBR
40002620	G5193	SB2	68x90x10	NBR
40002660	F106	TC	50x62x7	NBR
40002700	F183	TB2	40x62x10	ACM
44078737	E229	SC	35x52x10	NBR
44613104	F673	TC	54x72x10	NBR
44881562	E064	SC	35x50x10	NBR
44881597	D520	SC	32x45x7	NBR
44881689	G583	SC	50x90x10	NBR

# NEW HOLLAND (CNH)

Codice Costruttore	TOOL TTO	Tipologia	Dimensioni	Materiale
44881695	F012	SC	42x60x10	NBR
44881977	F673	TC	54x72x10	NBR
44882009	F698	SC	50x72x10	NBR
44882167	H003	TC	80x100x13	NBR
44882217	G509	SC	68x90x10	NBR
44882219	H271	SC	90x110x12	NBR
44882295	E229	SC	35x52x10	NBR
44882352	K207	TC	130x160x15	NBR
44882502	F134	SC	45x62x10	NBR
44902086	G0101	SC	50x80x8	NBR
44902197	F1133	TC	35x62x8	NBR
44908421	E206	TC	25x52x7	NBR
44908422	F6105	SC	40x72x7	NBR
44908432	E563	TC	40x55x7	NBR
44908438	D772	TC	28x47x7	NBR
45480003	G5197	SB2	65x90x10	NBR
45482097	F686	TC	50x72x8	NBR
45482136	H654	TC	105x130x12	NBR
76040608	G522	TB2	70x90x10	NBR
79007266	F262	SC	48x65x10	NBR
79036167	G0157	TA2	55x80x10	NBR
79050000	G017	SC	50x80x10	NBR
79053144	H203	TC	75x110x13	NBR
80220021	H031	TC	75x100x10	NBR
80357923	F1131	TC	35x62x7	NBR
80378273	E2117	TC	30x52x7	NBR
80381856	K217	SC	130x160x12	NBR
80381860	F154	SC	45x62x8	NBR
80384548	H031	TC	75x100x10	NBR
80412442	G025	SC	60x80x8	NBR
80417722	F159	TC	30x62x7	NBR
80535911	G0101	SC	50x80x8	NBR
80536079	G526	SC	65x90x10	NBR
80536263	F2102	SC	50x65x8	NBR
80552118	G292	TC	60x85x8	NBR
80750298	H271	SC	90x110x12	NBR
81717526	H049	SC	79,38x101,6x12,7	NBR
81803055	D7347	SC	35x47x7	NBR
83952335	W1043	TAFM	42x62x14	NBR
84004468	F176	SC	36x62x7	NBR
84021795	W120	DAPU	58x80x16,5	NBR
84032776	F641	SC	50x72x8	NBR
84036438	G5189	TCW	65x90x10	FPM
84045430	F106	TC	50x62x7	FPM
84074274	F629	SC	55x72x8	FPM
84817150	G014	TC	50x80x8	FPM
85805991	W1028	TAFM	45x65x12	NBR
85807964	W1006	TAFM	40x55x10	NBR
85821295	W1054	DAPU	40x60x18,5	NBR
85824344	W555	UA16	130x160x14,5/16	NBR

## NEW HOLLAND (CNH)

Codice Costruttore	TOOL TTO	Tipologia	Dimensioni	Materiale
85824346	W493	DAPU	35x52x16	FPM
86027229	W1049	UA16	190x220x16/18	NBR
151208320	K232	SC	120x160x12	NBR
151208423	G222	SC	55x85x8	NBR
151208750	G2112	SC	70x85x8	NBR
151209159	G503	TC	70x90x10	NBR
151209163	H616	TC	100x130x13	NBR
153326492	F1273	TC	42x62x8	NBR
350358306	E229	SC	35x52x10	NBR
350358312	F645	TC	55x72x10	NBR
350358348	C528	SC	20x35x7	NBR
350358351	K703	SC	160x185x10	NBR
353583169	E261	SC	40x52x7	NBR
353583182	F666	SC	40x72x10	NBR
353583183	F620	SC	45x72x10	NBR
353583184	F764	SC	45x75x10	NBR
353583259	H207	SC	80x110x12	NBR
353583309	N011	TC	220x250x15	NBR
353587178	W840	TAFM	50x75x12	NBR

## DANA ITALIA

Codice Costruttore	TOOL TTO	Tipologia	Dimensioni	Materiale
3551400701	W401	UA16	56x80x13/14,5	ACM
7290600901	W834	TAFM	55x80x11	NBR
7290601001	H0276	TAFM	75x102x14	NBR
7290601201	W1006	TAFM	40x55x10	NBR
7380606901	W402	UA16	150x180x14,5/16	NBR
7600100501	W400	DAWU	45x65x25	NBR
9700602301	W556	UA16	85x110x13/14,5	FPM
000051846B	W401	UA16	56x80x13/14,5	ACM
00051846B	W401	UA16	56x80x13/14,5	ACM
3019957X1	W1006	TAFM	40x55x10	NBR
3019964X1	W503	TAFM	145x170x16	NBR
3428064M1	W1054	DAPU	40x60x18,5	NBR
3428521M1	W493	DAPU	35x52x16	NBR
3428521M2	W493	DAPU	35x52x16	NBR
3428942M1	W494	DAPU	55x82x16,5	NBR
3429290M1	E504	TC	40x55x8	NBR
3429815M1	W1049	UA16	190x220x16/18	NBR
3764632M1	W401	UA16	56x80x13/14,5	ACM
3765419M1	F004	TC	40x60x10	FPM
3765756M1	W400	DAWU	45x65x25	NBR
392101X1	F694	TC	45x72x8	NBR
392107X1	E563	TC	40x55x7	NBR
395527X1	K464	TB2	145x170x13	NBR

**DANA ITALIA**

Codice Costruttore	TOOL TTO	Tipologia	Dimensioni	Materiale
000051050	F449	TC	50x68x10	NBR
000051120	F502	TC	50x70x10	NBR
000051170	F436	SC	50x68x8	NBR
000051300	F004	TC	40x60x10	NBR
000051718	F1135	TC	40x62x7	NBR
000051719	W120	DAPU	58x80x16,5	NBR
000051723	W1054	DAPU	40x60x18,5	NBR
000051785	W402	UA16	150x180x14,5/16	NBR
000051787	W555	UA16	130x160x14,5/16	NBR
51787	W555	UA16	130x160x14,5/16	NBR
000051816	W623	UA16	35x60x13/14,5	NBR
51816	W623	UA16	35x60x13/14,5	NBR
000051846	W401	UA16	56x80x13/14,5	ACM
51846	W401	UA16	56x80x13/14,5	ACM
000051870	W555	UA16	130x160x14,5/16	NBR
0000882110	F134	SC	45x62x10	NBR
001010009	E261	SC	40x52x7	NBR
001010017	F6227	SC	48x72x10	NBR
001010018	F2102	SC	50x65x8	NBR
001010019	G017	SC	50x80x10	NBR
001010534	F751	SC	60x75x8	NBR
001010569	F720	SC	55x75x10	NBR
001010573	G526	SC	65x90x10	NBR
001010622	G2112	SC	70x85x8	NBR
001010668	F1227	SC	45x62x7	NBR
001011349	E232	SC	38x52x7	NBR
001011725	F1120	SC	48x62x8	NBR
001012955	G264	SC	52x85x10	NBR
001013314	G771	SC	65x95x10	NBR
001013316	G551	SC	60x90x8	FPM
001020023	F193	SC	38x62x10	NBR
001020027	H014	SC	75x100x10	NBR
1020027	H014	SC	75x100x10	NBR
001020031	G037	TC	55x80x10	NBR
001030033	H042	TC	70x100x10	NBR
001030034	G720	TC	75x95x10	NBR
001030565	H408	TC	100x120x12	NBR
001030621	G002	TC	60x80x10	NBR
001030639	F1273	TC	42x62x8	NBR
001030673	F214	TC	50x65x8	NBR
001030730	G547	TC	55x90x10	NBR
001030824	F6207	TC	48x72x8	NBR
001030930	G503	TC	70x90x10	NBR
001031311	G228	TC	65x85x10	NBR
001032939	F028	TC	45x60x8	NBR
001033256	F645	TC	55x72x10	NBR
001033320	G527	TC	60x90x8	FPM
001130608	K464	TB2	145x170x13	NBR
1130608	K464	TB2	145x170x13	NBR
001131234	H0346	TB2	62x100x12	ACM



**DEUTZ-FAHR**

Codice Costruttore	TOOL TTO	Tipologia	Dimensioni	Materiale
01145828	H0134	SC	45x100x10	NBR
01167498	D7347	SC	35x47x7	NBR
01171458	C503	TC	20x35x7	NBR
01172424	H411	SC	100x120x12	NBR
01175607	G529	TB2	65x90x13	NBR
01295736	G2165	TB2	65x85x13	NBR
02311160	F449	TC	50x68x10	NBR
02311162	H512	SC	100x125x12	NBR
02324658	D7347	SC	35x47x7	NBR
02339321	G771	SC	65x95x10	NBR
04253332	H814	SC	120x140x13	F/A
04324782	H521	TB2	100x125x13	NBR
04344813	F004	TC	40x60x10	NBR
04344814	F023	SC	40x60x10	NBR
04383061	W120	DAPU	58x80x16,5	NBR
04388580	W1054	DAPU	40x60x18,5	NBR
04434571	G228	TC	65x85x10	NBR
215100310	F751	SC	60x75x8	NBR
215103290	G091	SC	55x80x10	NBR
215103310	G223	SC	60x85x10	NBR
215106130	E545	SC	30x55x10	NBR
215190780	B411	SC	16x24x5	NBR
215190860	C307	SC	25x33x6	ACM
215200060	C004	TC	20x30x7	NBR
215200170	E502	TC	35x55x11	NBR
215200260	F449	TC	50x68x10	NBR
215200390	G720	TC	75x95x10	NBR
215200430	H218	TC	85x110x12	NBR
215201100	D5146	TC	24x45x10	NBR
215202170	F1231	TC	35x62x12	NBR
215202200	F004	TC	40x60x10	NBR
215202290	G037	TC	55x80x10	NBR
215202310	G002	TC	60x80x10	NBR
215203170	F635	TC	35x72x10	NBR
215203290	F645	TC	55x72x10	NBR
215290240	G529	TB2	65x90x13	NBR
215290260	H0126	TB2	70x100x13	NBR
215290280	G0121	TB2	60x80x12	NBR
215290680	E598	TC	30x55x7	NBR
215290910	G716	SC	70x95x10	NBR
215290920	E206	TC	25x52x7	NBR
215291090	F004	TC	40x60x10	FPM
215291130	W401	UA16	56x80x13/14,5	ACM
215291150	W623	UA16	35x60x13/14,5	NBR
215291200	W556	UA16	85x110x13/14,5	ACM

## FENDT

Codice Costruttore	TOOL TTO	Tipologia	Dimensioni	Materiale
F184100220050	F2251	TB2	45x65x10	NBR
F184108100070	E229	SC	35x52x10	NBR
H524300020100	W402	UA16	150x180x14,5/16	NBR
H524300020110	W401	UA16	56x80x13/14,5	ACM
X550035100000	C506	TC	22x35x7	NBR
X550041202000	C511	TC	25x35x7	NBR
X550054801000	E054	SC	30x50x10	NBR
X550119101000	F645	TC	55x72x10	NBR
X550150400000	H009	SC	80x100x10	NBR
X550159901000	H306	TB2	90x115x13	NBR
X550215309000	E5134	SB2	30x55x12	NBR
X551011209000	D0154	SC	22x40x10	NBR
X551846102000	H0256	SB2	75x100x10	NBR
X553982600000	F1135	TC	40x62x7	NBR
X553984809000	F1136	TC	40x62x10	NBR
X554038702000	G2233	TB2	70x85x8	NBR

## FORD AGRI

Codice Costruttore	TOOL TTO	Tipologia	Dimensioni	Materiale
116723	W1043	TAFM	42x62x14	NBR
3946626	W1006	TAFM	40x55x10	NBR
3957804	W611	TAFM	65x92x14	NBR
83983476	W1028	TAFM	45x65x12	NBR

## FIAT ALLIS

Codice Costruttore	TOOL TTO	Tipologia	Dimensioni	Materiale
546690	F1136	TC	40x62x10	NBR
590851	H613	SC	100x130x12	NBR
767755	D014	TC	25x40x7	NBR
4051364	F262	SC	48x65x10	NBR
4589556	F6143	SC	55x72x10	NBR
4590419	F183	TB2	40x62x10	ACM
5107905	F6174	SC	42x72x10	NBR
28106922	F257	SC	45x65x10	NBR
28553382	C244	SC	22x32x7	NBR
40000150	H4115	TA2	90x120x13	NBR
40000521	G0167	TB2	55x80x10	ACM
40000630	H0256	SB2	75x100x10	ACM
40000860	G547	TC	55x90x10	ACM
40000881	B881	TB2	17x28x7	NBR
40001280	F183	TB2	40x62x10	ACM
40001320	G0115	TB2	50x80x10	ACM
40001580	G0115	TB2	50x80x10	ACM
40002320	G522	TB2	70x90x10	NBR
40002540	F183	TB2	40x62x10	ACM

## FIAT FORK LIFT

Codice Costruttore	TOOL TTO	Tipologia	Dimensioni	Materiale
9258617	H009	SC	80x100x10	NBR
9286221	K414	TC	140x170x12	NBR
9294639	B456	SC	15x24x7	NBR
9435014	H020	SC	78x100x10	NBR
9435302	G051	TC	50x80x10	ACM
9439280	G046	SC	58x80x8	NBR
9442356	E528	SC	42x55x8	NBR
9449850	H654	TC	105x130x12	NBR
9461939	D740	SC	36x47x7	NBR
9817286	B806	TC	17x28x7	NBR
9817888	D772	TC	28x47x7	NBR
40000480	K464	TB2	145x170x13	NBR
40002540	F183	TB2	40x62x10	ACM

**GOLDONI**

Codice Costruttore	TOOL TTO	Tipologia	Dimensioni	Materiale
00035450	G037	TC	55x80x10	NBR
06220004	G521	TC	65x90x10	NBR
06220007	B463	SC	14x24x7	NBR
06220009	C528	SC	20x35x7	NBR
06220015	F485	SC	40x68x10	NBR
06220017	D257	SC	25x42x6	NBR
06220021	D739	SC	25x47x10	NBR
06220022	E237	SC	25x52x10	NBR
06220033	F147	SC	30x62x10	NBR
06220034	E229	SC	35x52x10	NBR
06220036	E535	SC	35x55x10	NBR
06220042	E634	SC	30x56x10	NBR
06220044	D033	SC	24x40x7	NBR
06220050	F185	SC	40x62x10	NBR
06220053	F045	SC	45x60x7	NBR
06220054	F257	SC	45x65x10	NBR
06220055	G0104	SC	45x80x10	NBR
06220057	F1120	SC	48x62x8	NBR
06220058	B437	SC	16x24x7	NBR
06220066	H056	SC	70x100x10	NBR
06220067	E563	TC	40x55x7	NBR
06220068	D772	TC	28x47x7	NBR
06220074	D7106	SC	20x47x7	NBR
06220075	G533	SC	55x90x10	NBR
06220078	D520	SC	32x45x7	NBR
06220080	D7204	SC	24x47x7	NBR
06220081	D528	SC	35x45x7	NBR
06220082	E544	SC	30x55x7	NBR
06220084	F635	TC	35x72x10	NBR
06220089	G0101	SC	50x80x8	NBR
06220092	G292	TC	60x85x8	NBR
06220093	F1127	SC	35x62x7	NBR
06220096	F157	SC	30x62x7	NBR
06220102	G583	SC	50x90x10	NBR
06220104	F694	TC	45x72x8	NBR
06220108	W611	TAFM	65x92x14	NBR
06220110	G021	SC	40x80x10	NBR
06220111	B805	TC	16x28x7	NBR
06220112	B456	SC	15x24x7	NBR
06220114	F1135	TC	40x62x7	NBR
06220117	G009	SC	55x80x8	NBR
06220119	E235	SC	35x52x7	NBR
06220120	F214	TC	50x65x8	NBR
06220122	C046	SC	20x30x5	NBR
06220125	W834	TAFM	55x80x11	NBR
06220127	E206	TC	25x52x7	NBR
06220128	D7347	SC	35x47x7	NBR
06220135	H031	TC	75x100x10	NBR
06220136	F6207	TC	48x72x8	NBR
06220137	D014	TC	25x40x7	NBR

**GOLDONI**

Codice Costruttore	TOOL TTO	Tipologia	Dimensioni	Materiale
06220140	F686	TC	50x72x8	NBR
06220147	F1136	TC	40x62x10	NBR
06220161	D528	SC	35x45x7	FPM
06220162	C244	SC	22x32x7	NBR
06220165	W187	TAFM	65x85x13/17	NBR
06220174	H0276	TAFM	75x102x14	NBR
06220189	E233	TC	35x52x7	NBR
06220190	B806	TC	17x28x7	NBR

**GRAZIANO TRASM.AGRI**

Codice Costruttore	TOOL TTO	Tipologia	Dimensioni	Materiale
70026	F645	TC	55x72x10	NBR
70267	H203	TC	75x110x13	NBR
70416	G0157	TA2	55x80x10	NBR
70467	G025	SC	60x80x8	FPM
70631	W840	TAFM	50x75x12	NBR
70735	H042	TC	70x100x10	NBR
70785	W182	TAFM	120x150x15	NBR
70974	W503	TAFM	145x170x16	NBR
71135	G037	TC	55x80x10	ACM
71354	G025	SC	60x80x8	NBR
71448	D740	SC	36x47x7	NBR
71482	E528	SC	42x55x8	NBR
71563	W555	UA16	130x160x14,5/16	NBR
71586	H020	SC	78x100x10	NBR
71665	W402	UA16	150x180x14,5/16	FPM
3290683	B880	SC	18x28x7	NBR
051242073	F6187	TC	40x72x7	NBR
351360023	F1136	TC	40x62x10	NBR
3472100023	F028	TC	45x60x8	NBR
3472100033	G527	TC	60x90x8	NBR
3472100063	G059	TC	40x80x10	NBR
3472100333	W687	TAFM	80x110x16	NBR

# HÜRLIMANN

Codice Costruttore	TOOL TTO	Tipologia	Dimensioni	Materiale
215100200	E261	SC	40x52x7	NBR
215100290	F530	SC	55x70x8	NBR
215100310	F751	SC	60x75x8	NBR
215103290	G091	SC	55x80x10	NBR
215103310	G223	SC	60x85x10	NBR
215104260	F698	SC	50x72x10	NBR
215106130	E545	SC	30x55x10	NBR
215190780	B411	SC	16x24x5	NBR
215190860	C307	SC	25x33x6	ACM
215191030	D7162	TC	30x47x7	NBR
215191070	D734	SC	32x47x7	NBR
215200060	C004	TC	20x30x7	NBR
215200170	E502	TC	35x55x11	NBR
215200260	F449	TC	50x68x10	NBR
215200390	G720	TC	75x95x10	NBR
215200430	H218	TC	85x110x12	NBR
215201100	D5146	TC	24x45x10	NBR
215202170	F1231	TC	35x62x12	NBR
215202200	F004	TC	40x60x10	NBR
215202290	G037	TC	55x80x10	NBR
215202310	G002	TC	60x80x10	NBR
215203170	F635	TC	35x72x10	NBR
215203290	F645	TC	55x72x10	NBR
215290240	G529	TB2	65x90x13	NBR
215290260	H0126	TB2	70x100x13	NBR
215290680	E598	TC	30x55x7	NBR
215290910	G716	SC	70x95x10	NBR
215290920	E206	TC	25x52x7	NBR
215291090	F004	TC	40x60x10	FPM
215291130	W401	UA16	56x80x13/14,5	ACM
215291150	W623	UA16	35x60x13/14,5	NBR
215291200	W556	UA16	85x110x13/14,5	ACM
215291210	W457	UA03	178x205x17	NBR
215291590	W400	DAWU	45x65x25	NBR

**JCB**

Codice Costruttore	TOOL TTO	Tipologia	Dimensioni	Materiale
81310061	W401	UA16	56x80x13/14,5	NBR
90407300	G521	TC	65x90x10	NBR
90414700	H210	TC	90x110x13	NBR
90414800	F743	TC	60x75x8	NBR
90420226	G046	SC	58x80x8	NBR
90450000	K207	TC	130x160x15	NBR
90450001	G037	TC	55x80x10	NBR
90450003	F208	TC	45x65x10	NBR
90450008	W814	TAFM	90x120x13	NBR
90450023	G037	TC	55x80x10	NBR

**JOHN DEERE**

Codice Costruttore	TOOL TTO	Tipologia	Dimensioni	Materiale
48M7033	H218	TC	85x110x12	NBR
48M7040	H004	TC	80x100x10	NBR
48M7050	F6105	SC	40x72x7	NBR
48M7061	E2159	HTCR	40x52x7	ACM
AL159594	W402	UA16	150x180x14,5/16	NBR
AL32997	H306	TB2	90x115x13	NBR
AL36858	H521	TB2	100x125x13	NBR
AL38356	G248	SC	62x85x10	NBR
AL60978	H213	SC	85x110x12	NBR
AL78083	G223	SC	60x85x10	NBR
AZ46611	S257	SA2	30x72x10	NBR
AZ49830	F2102	SC	50x65x8	NBR
ER025107	C004	TC	20x30x7	NBR
ER025192	F6187	TC	40x72x7	NBR
ER025193	F666	SC	40x72x10	NBR
ER025230	G017	SC	50x80x10	NBR
ER025235	C5107	SC	24x35x7	NBR
ER025240	C772	SC	24x37x7	NBR
ER025267	G018	SC	60x80x10	NBR
ER025270	H062	TC	60x100x13	NBR
ER025278	G521	TC	65x90x10	NBR
ER025294	G2112	SC	70x85x8	NBR
ER025315	H009	SC	80x100x10	NBR
ER025359	H248	TC	80x110x10	NBR
ER025396	G551	SC	60x90x8	NBR
ER047700	W555	UA16	130x160x14,5/16	NBR
ER047702	W402	UA16	150x180x14,5/16	NBR
ER116723	W1043	TAFM	42x62x14	NBR
ER123208	W1028	TAFM	45x65x12	NBR
ER126403	W1054	DAPU	40x60x18,5	NBR
ER139767	H672	SC	90x130x12	NBR
RE160849	G551	SC	60x90x8	NBR
RE195987	W1055	DAPU	42x62x21,5	NBR
RE45889	C511	TC	25x35x7	NBR

**KOMATSU**

Codice Costruttore	TOOL TTO	Tipologia	Dimensioni	Materiale
0612202004	B623	VB	20x26x4	NBR
0612203004	C713	VB	30x37x4	NBR
0612213504	D279	VB	35x42x4	NBR
0701110075	H115	SB2	75x100x13	ACM
0701110080	H1161	SB2	80x105x13	ACM
0701110090	H3117	SB2	90x115x13	ACM
0701120090	H3117	SB2	90x115x13	VMQ
0701140100	H5123	SB2	100x125x13	NBR
0701200050	F6394	TB2	50x72x12	NBR
0701200060	G1116	TB2	60x82x12	NBR
0701200065	G529	TB2	65x90x13	NBR
0701200075	H005	TB2	75x100x13	NBR
0701200090	H306	TB2	90x115x13	NBR
0701200100	H521	TB2	100x125x13	NBR
0701200125	K109	TB2	125x155x14	NBR
0701200140	K403	TB2	140x170x14	NBR
0701210025	D5171	TB2	25x45x10	ACM
0701210035	E5162	TB2	35x55x10	ACM
0701210048	F5124	TB2	48x70x12	ACM
0701210070	G739	TB2	70x95x13	ACM
0701210075	H005	TB2	75x100x13	ACM
0701210080	H108	TB2	80x105x13	ACM
0701210085	H209	TB2	85x110x13	ACM
0701210090	H306	TB2	90x115x13	ACM
0701210095	H407	TB2	95x120x13	ACM
0701220070	G739	TB2	70x95x13	VMQ
0701220090	H306	TB2	90x115x13	VMQ
0701220095	H407	TB2	95x120x13	VMQ
0701240080	H108	TB2	80x105x13	NBR
0701240085	H209	TB2	85x110x13	NBR
0701240100	H521	TB2	100x125x13	NBR
0701240110	H8123	TB2	110x140x14	NBR
0701250100	H521	TB2	100x125x13	ACM
0701250105	H703	TB2	105x135x14	ACM
0714500045	E586	VAY	45x55x4	NBR
0714510110	H5115	VAY	110x125x4	NBR
0743071160	D5171	TB2	25x45x10	ACM
1441313310	H115	SB2	75x100x13	ACM
1543321340	F0296	TB2	45x60x9	NBR
1546012370	D5171	TB2	25x45x10	NBR
1751322780	H1161	SB2	80x105x13	VMQ
1756027480	D5171	TB2	25x45x10	NBR
1950918520	H8123	TB2	110x140x14	FPM
4171513690	G501	TC	65x90x13	NBR
4252015730	H407	TB2	95x120x13	NBR
4252015740	H703	TB2	105x135x14	NBR
6127613360	G4123	TB2	65x88x12	VMQ
6127613770	F612	TB2	45x72x12	NBR
6128613780	F612	TB2	45x72x12	VMQ
6140211331	H407	TB2	95x120x13	VMQ



## KOMATSU

Codice Costruttore	TOOL TTO	Tipologia	Dimensioni	Materiale
6210611510	E298	TC	35x52x11	VMQ
6210611520	F1107	TC	40x62x11	VMQ
7140718530	H701	TC	105x135x14	NBR
7140719110	H701	TC	105x135x14	ACM
21M3811610	H8123	TB2	110x140x14	NBR
29K3627122	K109	TB2	125x155x14	NBR

## KUBOTA

Codice Costruttore	TOOL TTO	Tipologia	Dimensioni	Materiale
0955000008	D448	HTCR	30x44x7	ACM

## LAMBORGHINI AGRI

Codice Costruttore	TOOL TTO	Tipologia	Dimensioni	Materiale
215290680	E598	TC	30x55x7	NBR
215290910	G716	SC	70x95x10	NBR
215291090	F004	TC	40x60x10	FPM
215291130	W401	UA16	56x80x13/14,5	ACM
215291150	W623	UA16	35x60x13/14,5	NBR
215291200	W556	UA16	85x110x13/14,5	ACM
215291210	W457	UA03	178x205x17	NBR
215291590	W400	DAWU	45x65x25	NBR
215295010	H218	TC	85x110x12	NBR
215295020	K207	TC	130x160x15	NBR

# LAMBORGHINI AGRI

Codice Costruttore	TOOL TTO	Tipologia	Dimensioni	Materiale
04253332	H814	SC	120x140x13	F/A
215100170	D7347	SC	35x47x7	NBR
215100200	E261	SC	40x52x7	NBR
215100290	F530	SC	55x70x8	NBR
215100310	F751	SC	60x75x8	NBR
215100360	G2112	SC	70x85x8	NBR
215100460	F698	SC	50x72x10	NBR
215101170	E064	SC	35x50x10	NBR
215101200	E618	SC	40x56x8	NBR
215101260	F2102	SC	50x65x8	NBR
215103130	E054	SC	30x50x10	NBR
215103260	F516	SC	50x70x10	NBR
215103290	G091	SC	55x80x10	NBR
215103310	G223	SC	60x85x10	NBR
215104230	F620	SC	45x72x10	NBR
215104260	F698	SC	50x72x10	NBR
215104340	H079	SC	65x100x10	NBR
215105200	F185	SC	40x62x10	NBR
215105260	G017	SC	50x80x10	NBR
215106130	E545	SC	30x55x10	NBR
215190100	G0124	HTCR	58x80x10	ACM
215190780	B411	SC	16x24x5	NBR
215190860	C307	SC	25x33x6	ACM
215190920	H0154	SC	70x100x12	NBR
215191030	D7162	TC	30x47x7	NBR
215191070	D734	SC	32x47x7	NBR
215200060	C004	TC	20x30x7	NBR
215200170	E502	TC	35x55x11	NBR
215200260	F449	TC	50x68x10	NBR
215200360	G503	TC	70x90x10	NBR
215200390	G720	TC	75x95x10	NBR
215200430	H218	TC	85x110x12	NBR
215200450	H232	TC	90x110x12	NBR
215201100	D5146	TC	24x45x10	NBR
215201230	F208	TC	45x65x10	NBR
215201260	F214	TC	50x65x8	NBR
215201310	F743	TC	60x75x8	NBR
215202170	F1231	TC	35x62x12	NBR
215202200	F004	TC	40x60x10	NBR
215202290	G037	TC	55x80x10	NBR
215202310	G002	TC	60x80x10	NBR
215203170	F635	TC	35x72x10	NBR
215203290	F645	TC	55x72x10	NBR
215290050	H0271	TB2	80x100x13	ACM
215290130	H521	TB2	100x125x13	NBR
215290190	E649	TB2	32x56x10	NBR
215290240	G529	TB2	65x90x13	NBR
215290260	H0126	TB2	70x100x13	NBR
215290280	G0121	TB2	60x80x12	NBR
215290380	K464	TB2	145x170x13	NBR

**LANDINI**

Codice Costruttore	TOOL TTO	Tipologia	Dimensioni	Materiale
1427541M1	D0189	DC	22x40x8,5	NBR
1433979M1	F262	SC	48x65x10	NBR
1440013X1	E528	SC	42x55x8	NBR
1440734X1	H828	SC	115x140x12	NBR
1441256X1	F516	SC	50x70x10	NBR
1441258X1	G219	SC	65x85x10	NBR
1441293X1	E261	SC	40x52x7	NBR
1441802X1	C529	SC	25x35x7	NBR
1441815X1	E517	SC	40x55x7	NBR
1442216X1	F530	SC	55x70x8	NBR
1442326X1	G533	SC	55x90x10	NBR
1442623X1	G009	SC	55x80x8	NBR
1442631X1	C830	SC	28x38x7	NBR
1442640X1	G2112	SC	70x85x8	NBR
1442664X1	G025	SC	60x80x8	FPM
1442903X1	D7347	SC	35x47x7	NBR
1442908X1	F045	SC	45x60x7	NBR
2714076M1	E502	TC	35x55x11	NBR
2714076M2	E502	TC	35x55x11	NBR
3008780X1	F228	SC	40x65x10	NBR
3009830X1	B437	SC	16x24x7	NBR
3009856X1	C004	TC	20x30x7	NBR
3015019X1	F1227	SC	45x62x7	NBR
3015098X1	G720	TC	75x95x10	NBR
3015184X1	H014	SC	75x100x10	NBR
3015264X1	B805	TC	16x28x7	NBR
3015275X1	W556	UA16	85x110x13/14,5	NBR
3015291X1	E235	SC	35x52x7	NBR
3015292X1	C509	SC	22x35x7	NBR
3015293X1	F257	SC	45x65x10	NBR
3015294X1	F147	SC	30x62x10	NBR
3015330X1	D7106	SC	20x47x7	NBR
3015331X1	H231	SC	80x110x10	NBR
3015352X1	B880	SC	18x28x7	NBR
3015353X1	F686	TC	50x72x8	NBR
3015361X1	F743	TC	60x75x8	NBR
3015377X1	W1055	DAPU	42x62x21,5	NBR
3015397X1	F1127	SC	35x62x7	NBR
3015398X1	W678	TAFM	60x80x12	NBR
3015431X1	E233	TC	35x52x7	NBR
3015547X1	W1049	UA16	190x220x16/18	NBR
3019953X1	H0276	TAFM	75x102x14	NBR
3019954X1	W176	TAFM	85x110x16	NBR
3019957X1	W1006	TAFM	40x55x10	NBR
3019963X1	W840	TAFM	50x75x12	NBR
3019964X1	W503	TAFM	145x170x16	NBR
3019975X1	W189	TAFM	170x205x17	NBR
3305762M1	E041	SC	35x50x7	NBR
3305773M1	F210	TC	48x65x10	FPM
3305774M1	G527	TC	60x90x8	FPM

**LANDINI**

Codice Costruttore	TOOL TTO	Tipologia	Dimensioni	Materiale
3306490M1	F1227	SC	45x62x7	NBR
3382237M1	F1263	HTCR	45x62x10	FPM
3426193M1	W503	TAFM	145x170x16	NBR
3428064M1	W1054	DAPU	40x60x18,5	NBR
3428521M2	W493	DAPU	35x52x16	NBR
3428942M1	W494	DAPU	55x82x16,5	NBR
3429815M1	W1049	UA16	190x220x16/18	NBR
3429815M3	W1049	UA16	190x220x16/18	NBR
3659390M1	W834	TAFM	55x80x11	NBR
3673481X1	F1131	TC	35x62x7	NBR
3764632M1	W401	UA16	56x80x13/14,5	ACM
3765419M1	F004	TC	40x60x10	FPM
391316X1	G018	SC	60x80x10	NBR
391346X1	F641	SC	50x72x8	NBR
392101X1	F694	TC	45x72x8	NBR
392107X1	E563	TC	40x55x7	NBR
392121X1	H482	TC	95x120x12	NBR
392182X1	G015	TC	40x80x12	NBR
392184X1	F645	TC	55x72x10	NBR
392190X1	F2102	SC	50x65x8	NBR
392215X1	G771	SC	65x95x10	NBR
392382X1	B2106	SC	12x22x7	NBR
392391X1	A916	SC	10x19x7	NBR
392554X1	F424	SC	50x68x10	NBR
392560X1	K232	SC	120x160x12	NBR
392756X1	F207	TC	40x65x10	NBR
392775X1	H0154	SC	70x100x12	NBR
392787X1	G740	SC	75x95x10	NBR
392872X1	H654	TC	105x130x12	NBR
394014X1	G264	SC	52x85x10	NBR
394605X1	K454	TA2	148x170x14,5	NBR
394607X1	F635	TC	35x72x10	NBR
394608X1	H003	TC	80x100x13	NBR
395521X1	M003	TC	170x200x15	NBR
395523X1	F449	TC	50x68x10	NBR
395527X1	K464	TB2	145x170x13	NBR
395559X1	F231	SC	45x65x8	NBR
395563X1	E590	SC	38x55x7	NBR
973016M1	C531	TC	20x35x10	NBR
973191M1	G018	SC	60x80x10	NBR
973454M1	F228	SC	40x65x10	NBR
973665M1	E229	SC	35x52x10	NBR
973839M1	F620	SC	45x72x10	NBR
973933M1	E626	SC	35x56x10	NBR
973962M1	H213	SC	85x110x12	NBR
974390M1	F257	SC	45x65x10	NBR
975127M1	H218	TC	85x110x12	NBR
975186M1	D7347	SC	35x47x7	NBR
975247M1	G017	SC	50x80x10	NBR
975248M1	G021	SC	40x80x10	NBR

## LANDINI

Codice Costruttore	TOOL TTO	Tipologia	Dimensioni	Materiale
976099M1	H218	TC	85x110x12	NBR
976135M1	G037	TC	55x80x10	NBR
978425M1	C228	SC	15x32x7	NBR
978659M1	H014	SC	75x100x10	NBR
VP341657	C528	SC	20x35x7	NBR
VP341686	D093	SC	25x40x10	NBR

## LAVERDA

Codice Costruttore	TOOL TTO	Tipologia	Dimensioni	Materiale
350358306	E229	SC	35x52x10	NBR
350358312	F645	TC	55x72x10	NBR
350358348	C528	SC	20x35x7	NBR
350358351	K703	SC	160x185x10	NBR
353583169	E261	SC	40x52x7	NBR
353583182	F666	SC	40x72x10	NBR
353583183	F620	SC	45x72x10	NBR
353583184	F764	SC	45x75x10	NBR
353583259	H207	SC	80x110x12	NBR
353583309	N011	TC	220x250x15	NBR
353587178	W840	TAFM	50x75x12	NBR

## MANITOU

Codice Costruttore	TOOL TTO	Tipologia	Dimensioni	Materiale
549339	H042	TC	70x100x10	NBR

**MASCHIO**

Codice Costruttore	TOOL TTO	Tipologia	Dimensioni	Materiale
556101	D7347	SC	35x47x7	NBR
556103	E235	SC	35x52x7	NBR
556105	F1127	SC	35x62x7	NBR
556109	F635	TC	35x72x10	NBR
556121	E0139	SC	38x50x7	NBR
556125	F047	SC	35x60x10	NBR
556131	E261	SC	40x52x7	NBR
556132	G015	TC	40x80x12	NBR
556133	G5160	TC	40x90x8	NBR
556134	F023	SC	40x60x10	NBR
556140	G059	TC	40x80x10	NBR
556142	F647	SC	45x72x8	NBR
556158	F134	SC	45x62x10	NBR
556163	F210	TC	48x65x10	NBR
556164	F208	TC	45x65x10	NBR
556168	G213	TC	45x85x10	NBR
556169	G0104	SC	45x80x10	NBR
556175	F214	TC	50x65x8	NBR
556177	F645	TC	55x72x10	NBR
556178	G091	SC	55x80x10	NBR
556181	G583	SC	50x90x10	NBR
556186	F530	SC	55x70x8	NBR
556188	G273	SC	56x85x8	NBR
556189	G248	SC	62x85x10	NBR
556191	G551	SC	60x90x8	NBR
556193	F034	TC	45x60x7	NBR
556196	G018	SC	60x80x10	NBR
556213	F743	TC	60x75x8	NBR
556214	F751	SC	60x75x8	NBR
556215	G228	TC	65x85x10	NBR
556219	G533	SC	55x90x10	NBR
556220	G5138	SC	62x90x10	NBR
556224	H512	SC	100x125x12	NBR
556225	H079	SC	65x100x10	NBR
556230	G212	TC	70x85x8	NBR
556238	W410	DAPU	70x90x16,5	NBR
556239	W556	UA16	85x110x13/14,5	NBR
556247	G503	TC	70x90x10	NBR
556249	H056	SC	70x100x10	NBR
556252	G075	TC	35x80x10	NBR
556254	H031	TC	75x100x10	NBR
556260	H009	SC	80x100x10	NBR
556262	D708	TC	35x47x7	NBR
556263	F106	TC	50x62x7	NBR
556264	H231	SC	80x110x10	NBR
38100214	W187	TAFM	65x85x13/17	NBR

# MASSEY FERGUSON

Codice Costruttore	TOOL TTO	Tipologia	Dimensioni	Materiale
053850R1	W402	UA16	150x180x14,5/16	NBR
1427541M1	D0189	DC	22x40x8,5	NBR
1433979M1	F262	SC	48x65x10	NBR
1440013X1	E528	SC	42x55x8	NBR
1440734X1	H828	SC	115x140x12	NBR
1440737X1	D520	SC	32x45x7	FPM
1441027M1	D253	SC	25x42x10	NBR
1441256X1	F516	SC	50x70x10	NBR
1441293X1	E261	SC	40x52x7	NBR
1441802X1	C529	SC	25x35x7	NBR
1441815X1	E517	SC	40x55x7	NBR
1442216X1	F530	SC	55x70x8	NBR
1442326X1	G533	SC	55x90x10	NBR
1442623X1	G009	SC	55x80x8	NBR
1442631X1	C830	SC	28x38x7	NBR
1442640X1	G2112	SC	70x85x8	NBR
1442664X1	G025	SC	60x80x8	FPM
1442903X1	D7347	SC	35x47x7	NBR
1442908X1	F045	SC	45x60x7	NBR
2714076M1	E502	TC	35x55x11	NBR
2714076M2	E502	TC	35x55x11	NBR
3008780X1	F228	SC	40x65x10	NBR
3009830X1	B437	SC	16x24x7	NBR
3009856X1	C004	TC	20x30x7	NBR
3015019X1	F1227	SC	45x62x7	NBR
3015184X1	H014	SC	75x100x10	NBR
3015264X1	B805	TC	16x28x7	NBR
3015275X1	W556	UA16	85x110x13/14,5	NBR
3015377X1	W1055	DAPU	42x62x21,5	NBR
3015398X1	W678	TAFM	60x80x12	NBR
3015547X1	W1049	UA16	190x220x16/18	NBR
3019953X1	H0276	TAFM	75x102x14	NBR
3019954X1	W176	TAFM	85x110x16	NBR
3019957X1	W1006	TAFM	40x55x10	NBR
3019963X1	W840	TAFM	50x75x12	NBR
3019964X1	W503	TAFM	145x170x16	NBR
3019975X1	W189	TAFM	170x205x17	NBR
3305762M1	E041	SC	35x50x7	NBR
3305773M1	F210	TC	48x65x10	FPM
3305774M1	G527	TC	60x90x8	FPM
3306490M1	F1227	SC	45x62x7	NBR
3382237M1	F1263	HTCR	45x62x10	FPM
3426193M1	W503	TAFM	145x170x16	NBR
3428064M1	W1054	DAPU	40x60x18,5	NBR
3428521M1	W493	DAPU	35x52x16	NBR
3428521M2	W493	DAPU	35x52x16	NBR
3428942M1	W494	DAPU	55x82x16,5	NBR
3429815M1	W1049	UA16	190x220x16/18	NBR
3429815M3	W1049	UA16	190x220x16/18	NBR
3659390M1	W834	TAFM	55x80x11	NBR

# MASSEY FERGUSON

Codice Costruttore	TOOL TTO	Tipologia	Dimensioni	Materiale
3764632M1	W401	UA16	56x80x13/14,5	ACM
3765419M1	F004	TC	40x60x10	FPM
3765756M1	W400	DAWU	45x65x25	NBR
391316X1	G018	SC	60x80x10	NBR
391346X1	F686	TC	50x72x8	NBR
392101X1	F694	TC	45x72x8	NBR
392107X1	E563	TC	40x55x7	NBR
392121X1	H482	TC	95x120x12	NBR
392182X1	G015	TC	40x80x12	NBR
392184X1	F645	TC	55x72x10	NBR
392190X1	F2102	SC	50x65x8	NBR
392215X1	G771	SC	65x95x10	NBR
392382X1	B2106	SC	12x22x7	NBR
392391X1	A916	SC	10x19x7	NBR
392554X1	F424	SC	50x68x10	NBR
392560X1	K232	SC	120x160x12	NBR
392756X1	F207	TC	40x65x10	NBR
392775X1	H0154	SC	70x100x12	NBR
392787X1	G740	SC	75x95x10	NBR
392872X1	H654	TC	105x130x12	NBR
394014X1	G264	SC	52x85x10	NBR
394605X1	K454	TA2	148x170x14,5	NBR
394607X1	F635	TC	35x72x10	NBR
394608X1	H003	TC	80x100x13	NBR
395521X1	M003	TC	170x200x15	NBR
395523X1	F449	TC	50x68x10	NBR
395527X1	K464	TB2	145x170x13	NBR
395559X1	F231	SC	45x65x8	NBR
395563X1	E590	SC	38x55x7	NBR
973016M1	C531	TC	20x35x10	NBR
973191M1	G018	SC	60x80x10	NBR
973454M1	F228	SC	40x65x10	NBR
973665M1	E229	SC	35x52x10	NBR
973839M1	F620	SC	45x72x10	NBR
973933M1	E626	SC	35x56x10	NBR
973962M1	H213	SC	85x110x12	NBR
974390M1	F257	SC	45x65x10	NBR
975127M1	H218	TC	85x110x12	NBR
975186M1	D7347	SC	35x47x7	NBR
975247M1	G017	SC	50x80x10	NBR
975248M1	G021	SC	40x80x10	NBR
976099M1	H009	SC	80x100x10	NBR
976135M1	G037	TC	55x80x10	NBR
978425M1	C228	SC	15x32x7	NBR
978659M1	H014	SC	75x100x10	NBR



# MCCORMICK

Codice Costruttore	TOOL TTO	Tipologia	Dimensioni	Materiale
100529A1	W1028	TAFM	45x65x12	NBR
1441802X1	C529	SC	25x35x7	NBR
1441815X1	E517	SC	40x55x7	NBR
300167A1	W963	UA16	48x75x14/17	NBR
3015019X1	F1227	SC	45x62x7	NBR
3015275X1	W556	UA16	85x110x13/14,5	NBR
3015291X1	E235	SC	35x52x7	NBR
3015330X1	D7106	SC	20x47x7	NBR
3015331X1	H231	SC	80x110x10	NBR
3015352X1	B880	SC	18x28x7	NBR
3015353X1	F686	TC	50x72x8	NBR
3015361X1	F743	TC	60x75x8	NBR
3015397X1	F1127	SC	35x62x7	NBR
3015398X1	W678	TAFM	60x80x12	NBR
3015431X1	E233	TC	35x52x7	NBR
3019963X1	W840	TAFM	50x75x12	NBR
311569A1	W555	UA16	130x160x14,5/16	NBR
3382237M1	F1263	HTCR	45x62x10	FPM
3428521M2	W493	DAPU	35x52x16	NBR
3428942M1	W494	DAPU	55x82x16,5	NBR
392190X1	F2102	SC	50x65x8	NBR
394014X1	G264	SC	52x85x10	NBR
399798R91	G439	TB2	69,85x88,9x9,5	NBR
973454M1	F228	SC	40x65x10	NBR

# MERLO

Codice Costruttore	TOOL TTO	Tipologia	Dimensioni	Materiale
024937	G521	TC	65x90x10	NBR
024958	F743	TC	60x75x8	NBR
026621	H482	TC	95x120x12	NBR
027447	G720	TC	75x95x10	NBR
028919	G503	TC	70x90x10	NBR
029236	F214	TC	50x65x8	NBR
037561	E069	TC	33x50x6	NBR
040215	H042	TC	70x100x10	NBR
040216	W840	TAFM	50x75x12	NBR
043780	F185	SC	40x62x10	NBR
044967	W1006	TAFM	40x55x10	NBR
000726AA	H411	SC	100x120x12	NBR
000813AA	F751	SC	60x75x8	NBR
000921AA	D7347	SC	35x47x7	NBR
003397AA	G526	SC	65x90x10	NBR
006128AA	H014	SC	75x100x10	NBR
006467AA	F1131	TC	35x62x7	NBR

## NISSAN FORK LIFT

Codice Costruttore	TOOL TTO	Tipologia	Dimensioni	Materiale
31344L6000	H001	TC	75x100x13	NBR
321364K000	G1116	TB2	60x82x12	ACM

## RENAULT AGRI

Codice Costruttore	TOOL TTO	Tipologia	Dimensioni	Materiale
600104667	W1054	DAPU	40x60x18,5	NBR
854146400	G506	TC	70x90x12	0
6000101408	W687	TAFM	80x110x16	NBR
6000101420	W1006	TAFM	40x55x10	NBR
6000103016	W1028	TAFM	45x65x12	NBR
6000104496	E261	SC	40x52x7	NBR
6000104501	F530	SC	55x70x8	NBR
6000104509	W963	UA16	48x75x14/17	NBR
6000104667	W1055	DAPU	42x62x21,5	NBR
6000105287	W555	UA16	130x160x14,5/16	NBR
6000125354	G002	TC	60x80x10	NBR
6000146705	F522	TC	55x70x8	NBR
6000147703	W555	UA16	130x160x14,5/16	NBR
6005004452	F743	TC	60x75x8	NBR
6005004463	K832	SC	165x190x13	NBR
6005009891	W402	UA16	150x180x14,5/16	NBR
6005030587	W402	UA16	150x180x14,5/16	NBR
7700005852	H213	SC	85x110x12	NBR
7700012311	H818	TC	120x140x13	NBR
7700013479	H0182	SC	72x100x10	NBR
7700660447	H654	TC	105x130x12	NBR
7700670050	H616	TC	100x130x13	NBR
7700673020	F872	TC	55x76x12	NBR
7700695049	F6105	SC	40x72x7	NBR
7701018275	F640	TC	40x72x12	NBR
7701018636	F1231	TC	35x62x12	NBR

## RUGGERINI ENGINE

Codice Costruttore	TOOL TTO	Tipologia	Dimensioni	Materiale
05414	G0115	TB2	50x80x10	ACM
05456	G0115	TB2	50x80x10	ACM

**SAME**

Codice Costruttore	TOOL TTO	Tipologia	Dimensioni	Materiale
04253332	H814	SC	120x140x13	F/A
215100100	C529	SC	25x35x7	NBR
215100110	C543	TC	26x35x7	NBR
215100120	C830	SC	28x38x7	NBR
215100140	D260	SC	32x42x7	NBR
215100170	D7347	SC	35x47x7	NBR
215100190	E0139	SC	38x50x7	NBR
215100200	E261	SC	40x52x7	NBR
215100210	E623	SC	42x56x7	NBR
215100220	F016	SC	44x60x10	NBR
215100250	F1120	SC	48x62x8	NBR
215100290	F530	SC	55x70x8	NBR
215100300	G067	SC	58x80x10	NBR
215100310	F751	SC	60x75x8	NBR
215100360	G2112	SC	70x85x8	NBR
215100390	G740	SC	75x95x10	NBR
215100410	H009	SC	80x100x10	NBR
215100460	F698	SC	50x72x10	NBR
215100490	H411	SC	100x120x12	NBR
215100500	H610	SC	105x130x12	NBR
215100550	K217	SC	130x160x12	NBR
215101100	C867	SC	25x38x7	NBR
215101140	D520	SC	32x45x7	NBR
215101170	E064	SC	35x50x10	NBR
215101190	E2129	SC	38x52x8	NBR
215101200	E618	SC	40x56x8	NBR
215101230	F134	SC	45x62x10	NBR
215101260	F2102	SC	50x65x8	NBR
215101290	F6143	SC	55x72x10	NBR
215101310	G018	SC	60x80x10	NBR
215101320	G5138	SC	62x90x10	NBR
215101340	G526	SC	65x90x10	NBR
215101360	G507	SC	70x90x10	NBR
215101490	H512	SC	100x125x12	NBR
215102030	C025	SC	17x30x7	NBR
215102100	D093	SC	25x40x10	NBR
215102130	D759	SC	30x47x10	NBR
215102170	E229	SC	35x52x10	NBR
215102210	F012	SC	42x60x10	NBR
215102230	F257	SC	45x65x10	NBR
215102260	F424	SC	50x68x10	NBR
215102300	G5249	SC	58x90x10	NBR
215102390	H014	SC	75x100x10	NBR
215102410	H207	SC	80x110x12	NBR
215103070	D087	TC	22x40x7	NBR
215103110	D764	SC	26x47x7	NBR
215103130	E054	SC	30x50x10	NBR
215103170	E626	SC	35x56x10	NBR
215103260	F516	SC	50x70x10	NBR
215103290	G091	SC	55x80x10	NBR

**SAME**

Codice Costruttore	TOOL TTO	Tipologia	Dimensioni	Materiale
215103310	G223	SC	60x85x10	NBR
215104200	F023	SC	40x60x10	NBR
215104230	F620	SC	45x72x10	NBR
215104260	F698	SC	50x72x10	NBR
215104340	H079	SC	65x100x10	NBR
215104470	H475	SC	95x120x12	NBR
215105170	F047	SC	35x60x10	NBR
215105190	F193	SC	38x62x10	NBR
215105200	F185	SC	40x62x10	NBR
215105230	F764	SC	45x75x10	NBR
215105260	G017	SC	50x80x10	NBR
215106130	E545	SC	30x55x10	NBR
215106200	F228	SC	40x65x10	NBR
215106290	G533	SC	55x90x10	NBR
215107060	D760	SC	20x47x10	NBR
215107230	F045	SC	45x60x7	NBR
215108100	F1248	SC	25x62x10	NBR
215190100	G0124	HTCR	58x80x10	ACM
215190690	B252	SC	14x22x7	NBR
215190780	B411	SC	16x24x5	NBR
215190860	C307	SC	25x33x6	ACM
215190910	H512	SC	100x125x12	NBR
215190920	H0154	SC	70x100x12	NBR
215191030	D7162	TC	30x47x7	NBR
215191070	D734	SC	32x47x7	NBR
215200020	B805	TC	16x28x7	NBR
215200060	C004	TC	20x30x7	NBR
215200100	C511	TC	25x35x7	NBR
215200150	E0128	TC	33x50x10	NBR
215200170	E502	TC	35x55x11	NBR
215200260	F449	TC	50x68x10	NBR
215200360	G503	TC	70x90x10	NBR
215200390	G720	TC	75x95x10	NBR
215200430	H218	TC	85x110x12	NBR
215200450	H232	TC	90x110x12	NBR
215200490	H408	TC	100x120x12	NBR
215201100	D5146	TC	24x45x10	NBR
215201200	E504	TC	40x55x8	NBR
215201230	F208	TC	45x65x10	NBR
215201260	F214	TC	50x65x8	NBR
215201290	D013	TC	20x40x7	NBR
215201310	F743	TC	60x75x8	NBR
215201410	H003	TC	80x100x13	NBR
215202170	F1231	TC	35x62x12	NBR
215202200	F004	TC	40x60x10	NBR
215202260	F686	TC	50x72x8	NBR
215202290	G037	TC	55x80x10	NBR
215202310	G002	TC	60x80x10	NBR
215203170	F635	TC	35x72x10	NBR
215203200	F1136	TC	40x62x10	NBR

**SAME**

Codice Costruttore	TOOL TTO	Tipologia	Dimensioni	Materiale
215203290	F645	TC	55x72x10	NBR
215203360	H042	TC	70x100x10	NBR
215204200	G015	TC	40x80x12	NBR
215290040	G522	TB2	70x90x10	NBR
215290050	H0271	TB2	80x100x13	ACM
215290130	H521	TB2	100x125x13	NBR
215290190	E649	TB2	32x56x10	NBR
215290240	G529	TB2	65x90x13	NBR
215290260	H0126	TB2	70x100x13	NBR
215290280	G0121	TB2	60x80x12	NBR
215290380	K464	TB2	145x170x13	NBR
215290680	E598	TC	30x55x7	NBR
215290910	G716	SC	70x95x10	NBR
215290920	E206	TC	25x52x7	NBR
215291090	F004	TC	40x60x10	FPM
215291130	W401	UA16	56x80x13/14,5	ACM
215291150	W623	UA16	35x60x13/14,5	NBR
215291200	W556	UA16	85x110x13/14,5	ACM
215291210	W457	UA03	178x205x17	NBR
215291590	W400	DAWU	45x65x25	NBR
215295010	H218	TC	85x110x12	NBR
215295020	K207	TC	130x160x15	NBR
215691510	C004	TC	20x30x7	NBR

**VALTRA (VALMET)**

Codice Costruttore	TOOL TTO	Tipologia	Dimensioni	Materiale
31794200	G551	SC	60x90x8	NBR
31795910	W402	UA16	150x180x14,5/16	NBR
31800500	W120	DAPU	58x80x16,5	NBR
KH0232	G5133	SC	75x90x10	NBR
KH0237	H213	SC	85x110x12	NBR
KH1087	G219	SC	65x85x10	NBR
KH1112	K207	TC	130x160x15	NBR
KH1120	G5120	TC	60x90x13	NBR
KH1161	F666	SC	40x72x10	NBR
KH1162	E535	SC	35x55x10	NBR
KH1163	F185	SC	40x62x10	NBR
KH1209	W493	DAPU	35x52x16	NBR
KH1213	W1043	TAFM	42x62x14	NBR
KH1214	W182	TAFM	120x150x15	NBR
KH1216	W1006	TAFM	40x55x10	NBR
KH1405	H004	TC	80x100x10	NBR
KH1412	H422	TC	90x120x12	NBR
KH4967	W402	UA16	150x180x14,5/16	NBR

## VM ENGINE

Codice Costruttore	TOOL TTO	Tipologia	Dimensioni	Materiale
4634157	D093	SC	25x40x10	NBR
4634259	D7347	SC	35x47x7	NBR
4634303	E261	SC	40x52x7	NBR
4634342	E846	TC	45x58x7	NBR
4634346	F134	SC	45x62x10	NBR
4634403	F530	SC	55x70x8	NBR
4634505	F6143	SC	55x72x10	NBR
46340309A	F185	SC	40x62x10	ACM
46340372A	F2102	SC	50x65x8	NBR
46340408A	G037	TC	55x80x10	NBR
46340423A	G018	SC	60x80x10	NBR

## VOLVO CONSTRUCTION

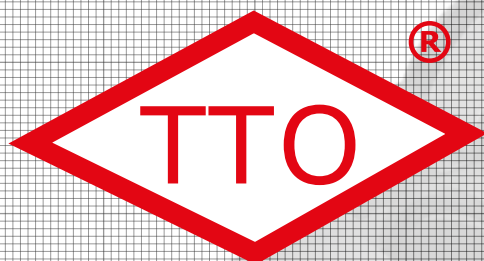
Codice Costruttore	TOOL TTO	Tipologia	Dimensioni	Materiale
958825	H213	SC	85x110x12	NBR
973936	H248	TC	80x110x10	NBR
4786572	G2165	TB2	65x85x13	NBR
11035429	H218	TC	85x110x12	NBR
11190761	H232	TC	90x110x12	NBR
14214309	H0303	SA2	75x100x10	NBR

## ZETOR

Codice Costruttore	TOOL TTO	Tipologia	Dimensioni	Materiale
374227	F601	TC	45x72x12	NBR
930148	W1028	TAFM	45x65x12	NBR
930232	W555	UA16	130x160x14,5/16	NBR
974026	H210	TC	90x110x13	NBR
974142	F602	TC	50x72x12	NBR
974164	H003	TC	80x100x13	NBR
974229	H003	TC	80x100x13	NBR
974232	G501	TC	65x90x13	NBR

## ZF AGRI

Codice Costruttore	TOOL TTO	Tipologia	Dimensioni	Materiale
0634300412	E5232	SB2	35x55x12	NBR
0634300646	G522	TB2	70x90x10	NBR
0634302460	D520	SC	32x45x7	NBR
0634309050	F1462	TB2	35x62x12	NBR
0634309253	H521	TB2	100x125x13	NBR
0734309026	F2251	TB2	45x65x10	NBR
0734309412	W1049	UA16	190x220x16/18	NBR
07119965060	D7162	TC	30x47x7	NBR



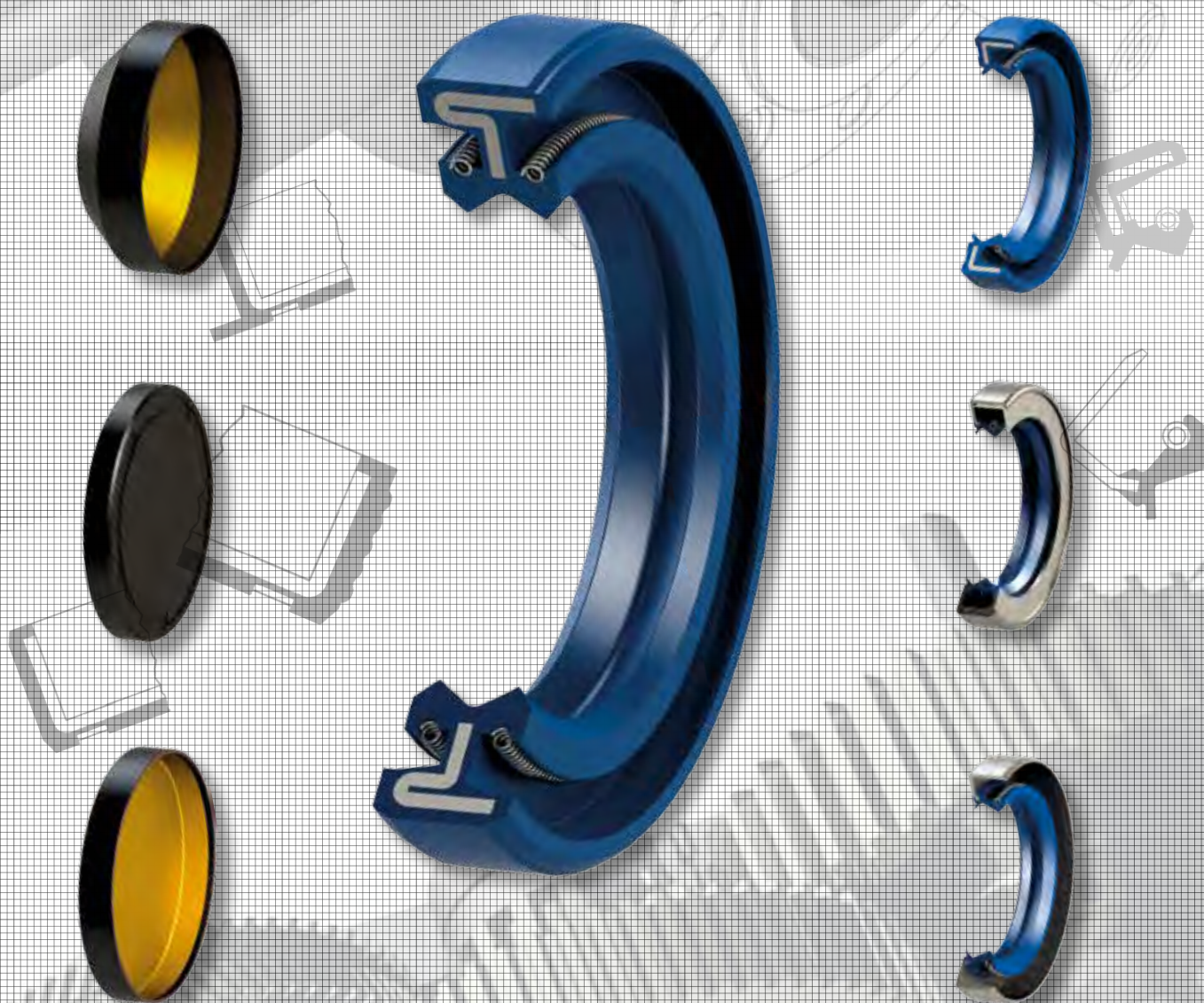
**Anelli di tenuta**  
**Tappi di chiusura**

Shaft seals

End Covers

Joint d'étanchéité pour arbres tournants

Bouchons obturateurs

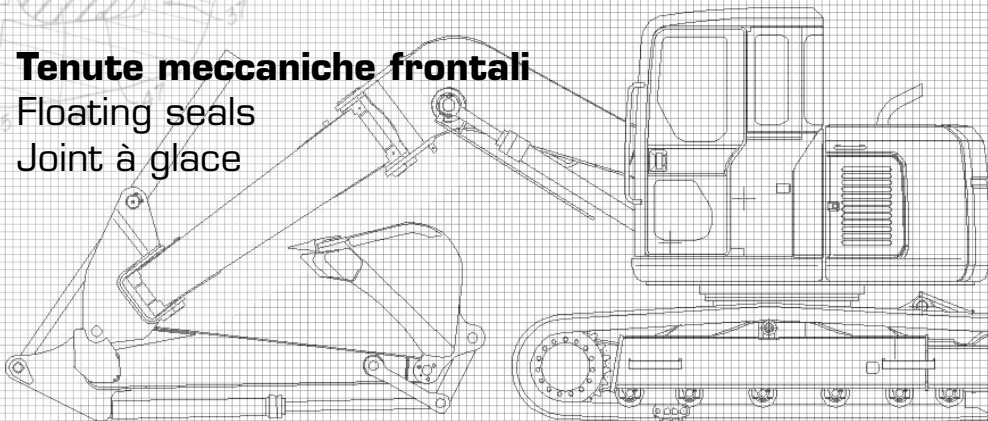




## Tenute meccaniche frontali

Floating seals

Joint à glace



### OT SEALS S.r.l.

Via Pitagora, 1 - 42048 Rubiera (Reggio Emilia) ITALIA

Tel. 00390522622711 - Fax 00390522622707

Codice Fiscale e Partita IVA CEE IT 02755260961

R.E.A. C.C.I.A.A. RE 273273 - Cap. Soc. E 46.800 i.v.

info@otseals.it - www.otseals.it