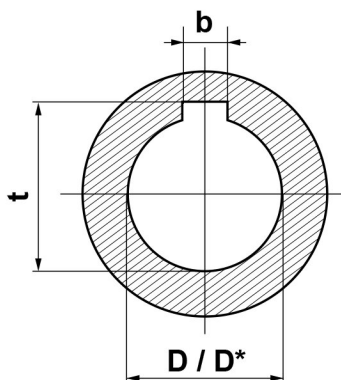

Втулки со стандартным отверстием метрических размеров
Материал: чугун EN-GJL-250 UNI EN 1561
Пример обозначения втулки: 1615 с отверстием 14 мм - 1615014

| Тип втулки | КОД | Диаметр отверстия (ISO E 8), мм | | | | | | | | | | | | | | | | Передаваемый крутящий момент | Болты | Момент затяжки болтов, Н*м | D1, мм | Исп. | S, мм | Вес, кг | | | | |
|------------|---------|---------------------------------|----|----|----|----|----|-----|-----|-----|-----|-----|-----|-----|-----|-----|----|------------------------------|-----------|----------------------------|------------|-------|---------|---------|-------|------|------|------|
| | | 9 | 10 | 11 | 12 | 14 | 15 | 16 | 18 | 19 | 20 | 22 | 24* | 25* | 28* | 30 | 32 | | | | | | | | | | | |
| 1008 | 1008... | 9 | 10 | 11 | 12 | 14 | 15 | 16 | 18 | 19 | 20 | 22 | 24* | 25* | | | | 136 | 1/4"x1/2" | 5,6 | 35,0 | 1 | 22,3 | 0,16 | | | | |
| 1108 | 1108... | 9 | 10 | 11 | 12 | 14 | 15 | 16 | 18 | 19 | 20 | 22 | 24* | 25 | 28* | | | 147 | 1/4"x1/2" | 5,6 | 38,0 | 1 | 22,3 | 0,16 | | | | |
| 1210 | 1210... | 11 | 12 | 14 | 15 | 16 | 18 | 19 | 20 | 22 | 24 | 25 | 28 | 30 | 32 | | | 407 | 3/8"x5/8" | 19,6 | 47,5 | 1 | 25,4 | 0,32 | | | | |
| 1215 | 1215... | 14 | 19 | 20 | 24 | 25 | 28 | | | | | | | | | | | 407 | 3/8"x5/8" | 19,6 | 47,5 | 1 | 38,1 | 0,50 | | | | |
| 1610 | 1610... | 14 | 15 | 16 | 18 | 19 | 20 | 22 | 24 | 25 | 28 | 30 | 32 | 35 | 38 | 40 | 42 | 486 | 3/8"x5/8" | 19,6 | 57,0 | 1 | 25,4 | 0,41 | | | | |
| 1615 | 1615... | 14 | 16 | 18 | 19 | 20 | 22 | 24 | 25 | 28 | 30 | 32 | 35 | 38 | 40 | 42 | | 486 | 3/8"x5/8" | 19,6 | 57,0 | 1 | 38,1 | 0,60 | | | | |
| 2012 | 2012... | 14 | 16 | 18 | 19 | 20 | 22 | 24 | 25 | 28 | 30 | 32 | 35 | 38 | 40 | 42 | 45 | 48 | 50 | 808 | 7/16"x7/8" | 30,4 | 70,0 | 1 | 31,8 | 0,75 | | |
| 2517 | 2517... | 16 | 18 | 19 | 20 | 22 | 24 | 25 | 28 | 30 | 32 | 35 | 38 | 40 | 42 | 45 | 48 | 50 | 55 | 60 | 65* | 1310 | 1/2"x1" | 48 | 85,5 | 1 | 44,5 | 1,06 |
| 3020 | 3020... | 25 | 28 | 30 | 32 | 35 | 38 | 40 | 42 | 45 | 48 | 50 | 55 | 60 | 65 | 70 | 75 | | | 2710 | 5/8"x1"1/4 | 90 | 108,0 | 1 | 50,8 | 2,50 | | |
| 3030 | 3030... | 35 | 38 | 40 | 42 | 45 | 48 | 50 | 55 | 60 | 65 | 70 | 75 | | | | | | 2710 | 5/8"x1"1/4 | 90 | 108,0 | 1 | 76,2 | 3,75 | | | |
| 3525 | 3525... | 35 | 38 | 40 | 42 | 45 | 48 | 50 | 55 | 60 | 65 | 70 | 75 | 80 | 85 | 90 | | | 5060 | 1/2"x1"1/2 | 112 | 127,0 | 2 | 64,9 | 4,20 | | | |
| 3535 | 3535... | 35 | 38 | 40 | 42 | 45 | 48 | 50 | 55 | 60 | 65 | 70 | 75 | 80 | 85 | 90 | | | 5060 | 1/2"x1"1/2 | 112 | 127,0 | 2 | 88,9 | 5,13 | | | |
| 4030 | 4030... | 40 | 42 | 45 | 48 | 50 | 55 | 60 | 65 | 70 | 75 | 80 | 85 | 90 | 100 | 100 | | | 8740 | 5/8"x1"1/4 | 169 | 146,0 | 2 | 76,2 | 6,75 | | | |
| 4040 | 4040... | 40 | 42 | 45 | 48 | 50 | 55 | 60 | 65 | 70 | 75 | 80 | 85 | 90 | 95 | | | | 8740 | 5/8"x1"3/4 | 169 | 146,0 | 2 | 101,6 | 7,68 | | | |
| 4545 | 4545... | 55 | 60 | 65 | 70 | 75 | 80 | 85 | 90 | 95 | 100 | | | | | | | | 12400 | 3/4"x2" | 192 | 162,0 | 2 | 115,0 | 10,56 | | | |
| 5040 | 5040... | 70 | 75 | 80 | 85 | 90 | 95 | 100 | 105 | 110 | 115 | 120 | 125 | | | | | | 14200 | 7/8"x2"1/4 | 271 | 177,6 | 2 | 101,6 | 14,20 | | | |
| 5050 | 5050... | 70 | 75 | 80 | 85 | 90 | 95 | 100 | 105 | 110 | 115 | 120 | 125 | | | | | | 14200 | 7/8"x2"1/4 | 271 | 177,6 | 2 | 127,0 | 15,17 | | | |

| | D | b | Js9 | t |
|-----|-----------|----|---------|---------|
| От | 10 до 12 | 4 | ± 0,015 | D + 1,8 |
| Св. | 12 » 17 | 5 | | D + 2,3 |
| » | 17 » 22 | 6 | | D + 2,8 |
| » | 22 » 30 | 8 | ± 0,018 | D + 3,3 |
| » | 30 » 38 | 10 | | D + 3,3 |
| » | 38 » 44 | 12 | ± 0,021 | D + 3,3 |
| » | 44 » 50 | 14 | | D + 3,8 |
| » | 50 » 58 | 16 | | D + 4,3 |
| » | 58 » 65 | 18 | ± 0,026 | D + 4,4 |
| » | 65 » 75 | 20 | | D + 4,9 |
| » | 75 » 85 | 22 | | D + 5,4 |
| » | 85 » 95 | 25 | ± 0,031 | D + 5,4 |
| » | 95 » 110 | 28 | | D + 6,4 |
| » | 110 » 130 | 32 | | D + 7,4 |



| Размеры шпоночного паз | | |
|------------------------|----|---------|
| D* | b | t |
| 24* | 8 | D + 1,3 |
| 25* | 8 | D + 1,3 |
| 28* | 8 | D + 1,3 |
| 42* | 12 | D + 1,3 |
| 65* | 18 | D + 2,8 |