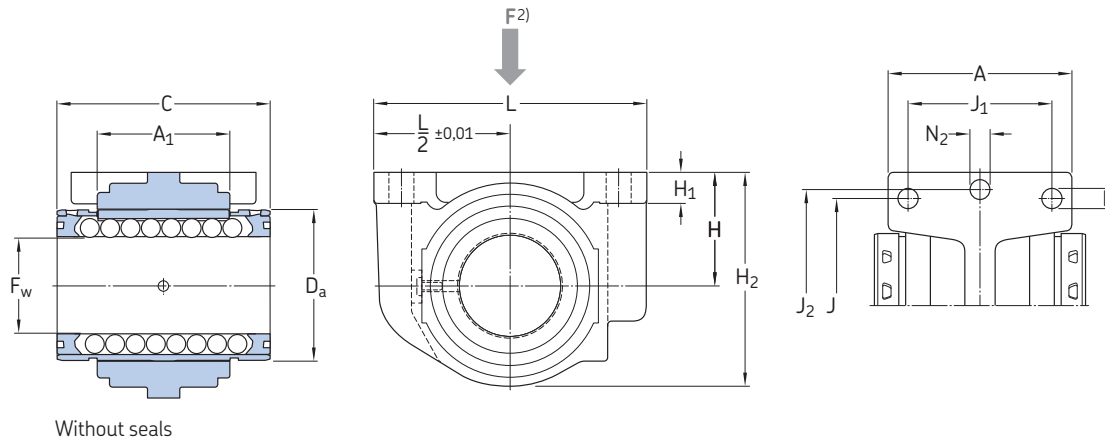


Closed housing, can be relubricated, equipped with LBCD .. D bearing, self-aligning
 F_w 12 – 40 mm



Dimensions													Basic load ratings				Mass	Designations		
F _w	A	A ₁	C	D _a	H ±0,01	H ₁	H ₂	J	J ₁	J ₂	L	N ¹⁾	N ₂ ¹⁾	C min	max	C ₀ min		max	Linear ball bearing unit without seals	with 2 double lip seals
mm													N				kg	–		
12	31	20	32	22	18	6	34,5	32	23	42	52	4,3	5,3	800	1 220	570	930	0,058	LUCD 12 D	LUCD 12 D-2LS
16	34,5	22	36	26	22	7	40,5	40	26	46	56	4,3	5,3	950	1 400	655	1 060	0,074	LUCD 16 D	LUCD 16 D-2LS
20	41	28	45	32	25	8	48	45	32	58	70	4,3	6,4	1 730	2 550	1 120	1 800	0,157	LUCD 20 D	LUCD 20 D-2LS
25	52	40	58	40	30	10	58	60	40	68	80	5,3	6,4	2 600	3 800	1 430	2 320	0,308	LUCD 25 D	LUCD 25 D-2LS
30	59	48	68	47	35	10	67	68	45	76	88	6,4	6,4	3 800	5 600	2 320	3 750	0,39	LUCD 30 D	LUCD 30 D-2LS
40	74	56	80	62	45	12	85	86	58	94	108	8,4	8,4	6 550	9 650	3 350	5 700	0,66	LUCD 40 D	LUCD 40 D-2LS

LUCD .. D linear ball bearing units are available on request with ball bearings in stainless steel execution. Designation: e.g. LUCD 20 D-2LS/HV6

LUCD .. D linear ball bearing units can also be fitted with rigid linear ball bearings of type LBCR .. D. Designation: e.g. LUCR 20 D-2LS.

For suitable shaft blocks LSCS/LSNS for these bearing units → *Linear bearings and units* (4182 EN).

¹⁾ For cylindrical screws with internal hexagon to DIN 912 / ISO 4762.
²⁾ Direction for max. load ratings