

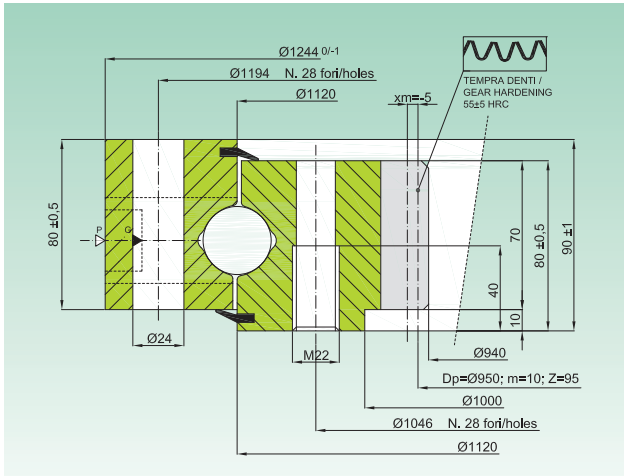


# ZB1 STOCK

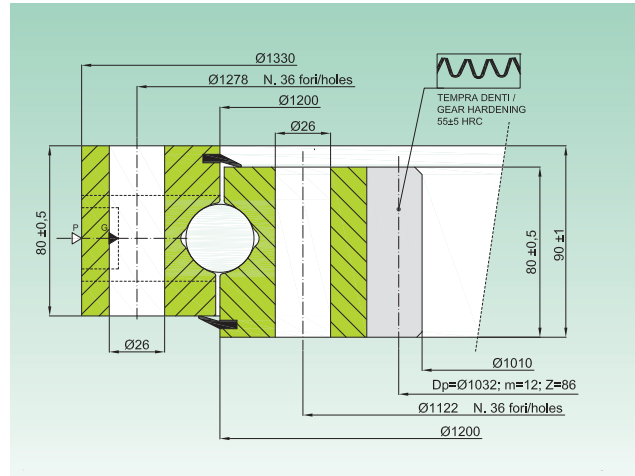
## SERIE STANDARD

### STANDARD SERIES

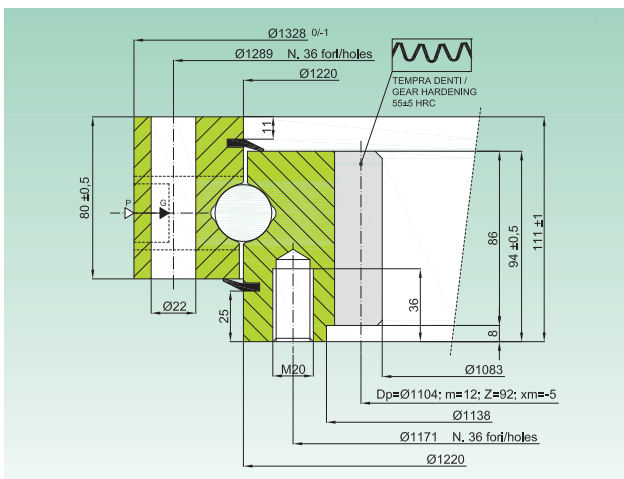
**ZB1.28.1120.200-1SPTN**



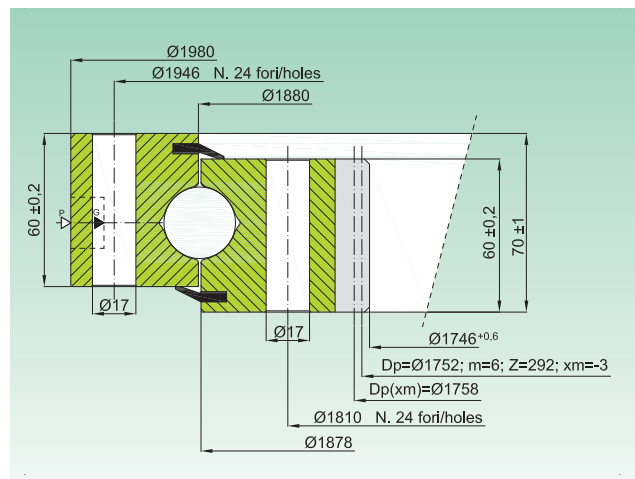
**ZB1.32.1200.200-1SPPN**



**ZB1.28.1220.200-1SPTN**



**ZB1.28.1879.200-1SPPN**



Codice Code	Curva Curve	Materiale Material	Dentatura Gear data		Peso Weight [Kg]
			fz nor [kN]	fz max [kN]	
ZB1.28.1120.200-1SPTN	13	C45 Q+T	91,3	182,6	290
ZB1.32.1200.200-1SPPN	14	C45 Q+T	126,0	252,0	325
ZB1.28.1220.200-1SPTN	15	C45 Q+T	134,8	269,6	245
ZB1.28.1879.200-1SPPN	16	C45 Q+T	19,5	39,0	290

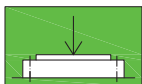
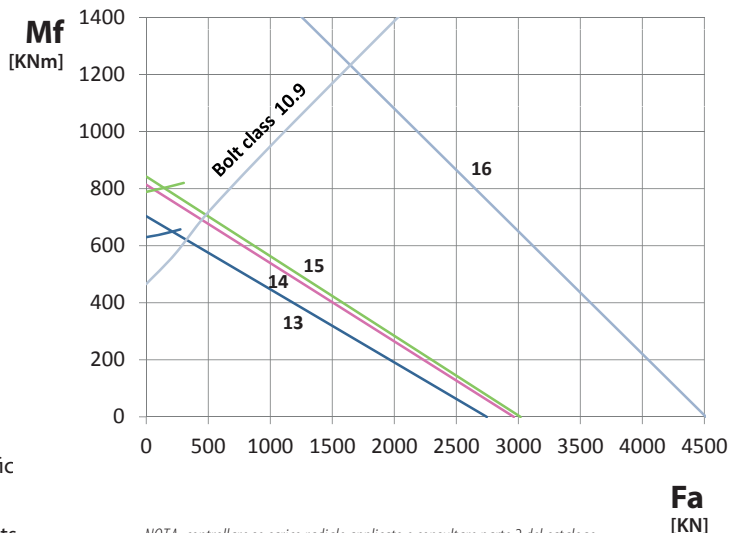
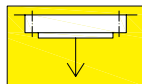


Diagramma di carico statico valido per sforzi compressivi

Static load charts valid for compressive loads



Carico sospeso: occorre verific specific della bulloneria

Suspended load: specific bolts calculation required

NOTA: controllare se carico radiale applicato e consultare parte 2 del catalogo  
NOTE: check if radial load applied and consult part 2 of the catalogue