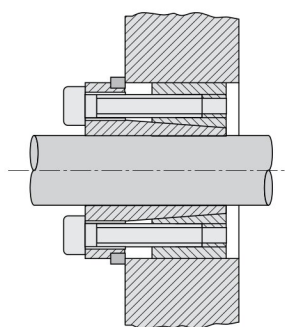
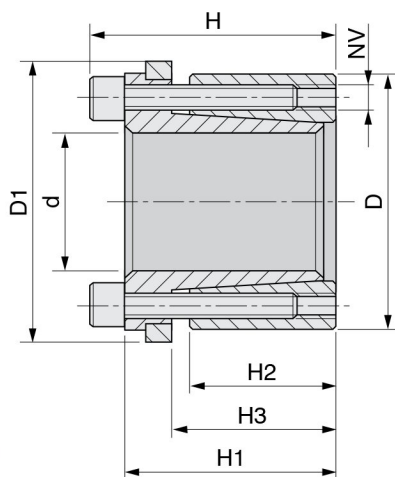


## Серия KLDB



Материал: сталь С 45 Е – UNI EN 10083–1  
Размеры перед сборкой

КОД	Размеры, мм							Затяжка			Ослабление		Характеристики		Давление на поверхность	
	d	D	D <sub>1</sub>	H	H <sub>1</sub>	H <sub>2</sub>	H <sub>3</sub>	NV	Tv (Нм)	Количество винтов	NV	Количество винтов	Mt (Нм)	Ta (кН)	Pa (Н/мм <sup>2</sup> )	Pm (Н/мм <sup>2</sup> )
KLDB019	19	47	53	45	39	26	31	M6x20	17	4	M6x20	2	202	21	127	51
KLDB020	20	47	53	45	39	26	31	M6x20	17	4	M6x20	2	213	21	121	51
KLDB022	22	47	53	45	39	26	31	M6x20	17	4	M6x20	2	234	21	110	51
KLDB024	24	50	56	45	39	26	31	M6x20	17	6	M6x20	3	384	32	151	73
KLDB025	25	50	56	45	39	26	31	M6x20	17	6	M6x20	3	400	32	145	73
KLDB028	28	55	61	45	39	26	31	M6x20	17	6	M6x20	3	448	32	129	66
KLDB030	30	55	61	45	39	26	31	M6x20	17	6	M6x20	3	480	32	121	66
KLDB032	32	60	66	45	39	26	31	M6x20	17	8	M6x20	4	683	43	151	81
KLDB035	35	60	66	45	39	26	31	M6x20	17	8	M6x20	4	747	43	138	81
KLDB038	38	65	71	45	39	26	31	M6x20	17	8	M6x20	4	811	43	127	74
KLDB040	40	65	71	45	39	26	31	M6x20	17	8	M6x20	4	853	43	121	74
KLDB042	42	75	81	55	47	30	36	M8x30	41	6	M8x30	3	1216	58	135	76
KLDB045	45	75	81	55	47	30	36	M8x30	41	6	M8x30	3	1302	58	126	76
KLDB048	48	80	86	55	47	30	36	M8x30	41	6	M8x30	3	1389	58	119	71
KLDB050	50	80	86	55	47	30	36	M8x30	41	6	M8x30	3	1447	58	114	71
KLDB055	55	85	91	55	47	30	36	M8x30	41	8	M8x30	4	2124	77	138	89
KLDB060	60	90	96	55	47	30	36	M8x30	41	8	M8x30	4	2317	77	127	84
KLDB065	65	95	101	55	47	30	36	M8x30	41	8	M8x30	4	2510	77	117	80
KLDB070	70	110	116	67	57	40	46	M10x35	83	8	M10x35	4	4381	125	132	84
KLDB075	75	115	121	72	62	40	46	M10x35	83	8	M10x35	4	4694	125	123	80
KLDB080	80	120	126	72	62	40	46	M10x35	83	8	M10x35	4	5007	125	115	77
KLDB085	85	125	131	72	62	40	46	M10x35	83	10	M10x35	4	6651	156	136	92
KLDB090	90	130	136	72	62	40	46	M10x35	83	10	M10x35	4	7042	156	128	89
KLDB095	95	135	141	72	62	40	46	M10x35	83	10	M10x35	4	7433	156	121	85
KLDB100	100	145	151	89	77	46	52	M12x45	145	8	M12x45	4	9104	182	117	81
KLDB110	110	155	161	89	77	46	52	M12x45	145	8	M12x45	4	10015	182	106	75
KLDB120	120	165	171	89	77	46	52	M12x45	145	10	M12x45	4	13653	228	122	88
KLDB130	130	180	186	89	77	46	52	M12x45	145	12	M12x45	4	17747	273	135	97
KLDB140	140	190	196	98	84	51	59	M14x45	230	8	M14x45	4	17328	248	102	75
KLDB150	150	200	206	98	84	51	59	M14x45	230	10	M14x45	5	23207	309	119	89

